

## Assembly Instructions

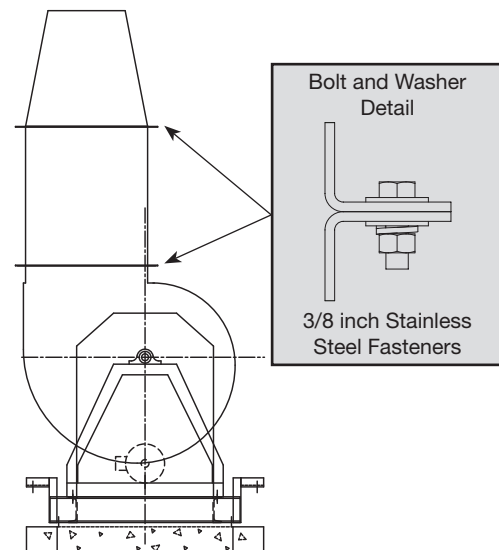
**READ THROUGH THESE INSTRUCTIONS PRIOR TO STARTING ASSEMBLY.**

### Document Instructions

Use Document #1016015 with fastener kits 879440, 879441, 879442, 879443 and 879444. These kits are to be used with the Vektor-C series. The fasteners contained within the kit are to be used to attach the nozzle to the fan body, the nozzle to a stack extension, a stack extension to another stack extension, or a stack extension to the fan body. Use the images located within this document to locate the position of the fasteners on the unit.

### Assembly Instructions

1. See Greenheck Document #471555 (Installation, Operation and Maintenance Manual: Vektor-CD, Vektor-CH and Vektor-CS) for full installation instructions.
2. Supplied gasketing material is placed between all mating sections.
3. The fastener kit includes fasteners for one flange. If the fan includes stack extensions, multiple fastener kits will be supplied for each flange.
4. See image to the right to locate bolt holes. Install moly-coated 316 stainless steel screws (provided) in all flange holes.



### Tools Required

- Cordless drill (electric or pneumatic)
- 9/16 inch nut setter
- 9/16 inch wrench

### FASTENER KITS - VEKTOR-C SERIES

| Vektor-C Fan Size                    |         | 12-18    | 22-30  | 33-40  | 44-54  | 60-66  |
|--------------------------------------|---------|----------|--------|--------|--------|--------|
| Fastener Kit Part Number             |         | 879440   | 879441 | 879442 | 879443 | 879444 |
| Part Description                     | Part #  | Quantity |        |        |        |        |
| CS,HH, .375-16X1.25,SS,316,MOLY      | 415780  | 14       | 20     | 28     | 34     | 42     |
| NUT,HEX, .375-16,SS,316              | 415799  | 14       | 20     | 28     | 34     | 42     |
| WSHR,FLAT, .313X.05X.406X.875,SS,316 | 415800  | 28       | 40     | 56     | 68     | 84     |
| WSHR,LOCK,SPLIT, .375,SS,316         | 415810  | 14       | 20     | 28     | 34     | 42     |
| Assembly Instructions                | 1016015 | 1        | 1      | 1      | 1      | 1      |