



Refer to:

'Installation Instructions for Curtain Fire Damper models' (Part # 481324)

or

'Installation Instructions for Multi-blade Fire & Combination Fire Smoke Dampers' (Part # 481318)

or

'Installation Instructions for Round Fire and Combination Fire Smoke Dampers' (Part # 481319) for additional details.

The field or factory installation of a sleeve on a fire rated damper does not require any application of sealant to maintain the UL 555 classification of the fire damper assembly. However, the sealant can be used along any seams of a fire rated damper assembly (except along blade edges) to help prevent air leakage in high pressure applications.

The general installation of a fire rated damper is addressed in the UL 555 (Standard for Fire Dampers Seventh Edition July 12, 2006) in Section 18 "Installation and Operating Instructions". In reference to the use of a sealant in the area between the inside of a wall opening and the outside of the fire damper sleeve referred to as the "annular space" (see **Figure 1**), UL mandates that clearance requirements are met in accordance with manufacturer's installation instructions.

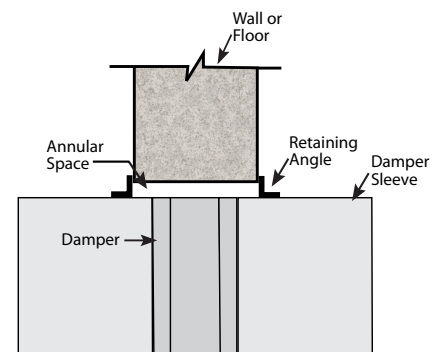


Figure 1

In the event of a fire, the annular space allows for fire damper expansion so that the damper will not bind and fail to function properly. Sealant, or any other foreign substance, that is introduced into the annular space must allow for compliance so the that damper can still expand. If the sealant used will not allow for proper expansion, the clearance requirements will not be met.

In conclusion, if a foreign material is to be introduced into the clearance area, the Local Authority Having Jurisdiction (AHJ) should decide if the application will meet necessary expansion requirements.

If desired, caulk may be applied to the exterior of the retaining angle for sealing against the wall/floor or damper sleeve. Follow the sealant manufacturer's directions, remove dirt, grease, and moisture from the surface to be sealed. Apply a continuous bead of sealant to the location applicable to your specific installation (see **Figure 2, 3,4**).

Approved sealant of fire stop materials:

- Dow Corning - Silastic 732 RT
- GE - RTV 108
- Hilti Corporation - FS-One, CP606
- 3M - #M-CP 25WB+
- Specified Technologies, Inc. - SpecSeal® Series SSS or LCI
- John Manville International, Inc - Firetemp™ CI
- Rectorseal - Metacaulk 1000, Metacaulk 350i, Biostop 500+ or Biostop350i

Do not apply sealant within the annular space between the damper and the fire rated wall or floor.

Press the sealant in place to remove any air. Allow sealant to setup and become tack free before operating the damper. Refer to the damper installation instructions for details.

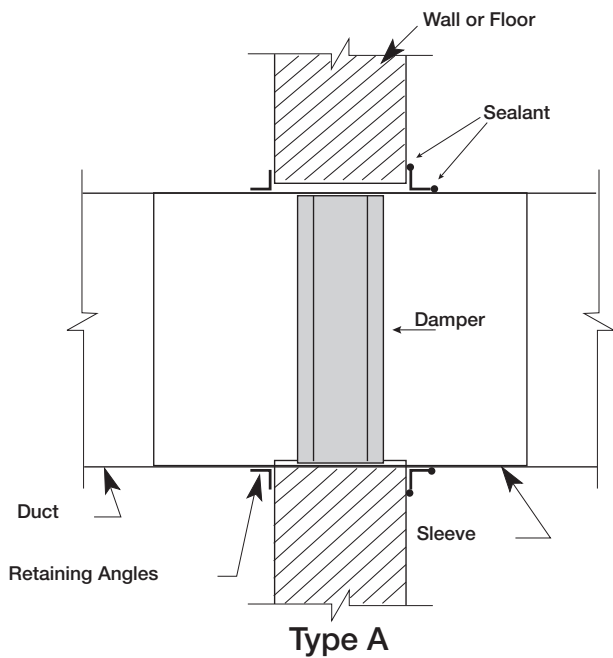


Figure 2: Fire Damper

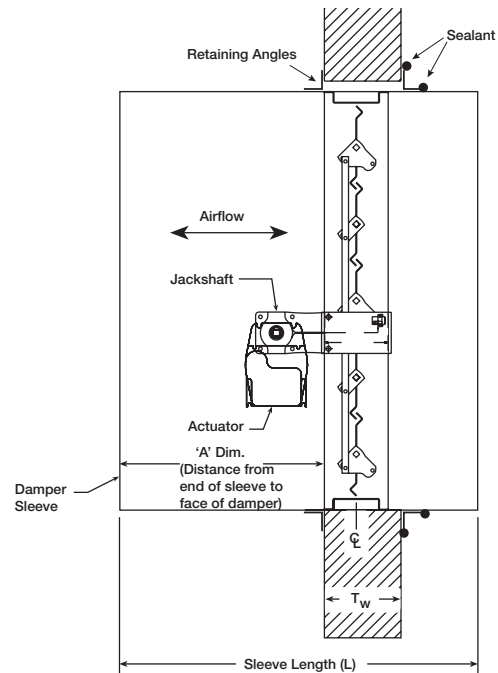


Figure 3: Combination Fire Smoke Damper

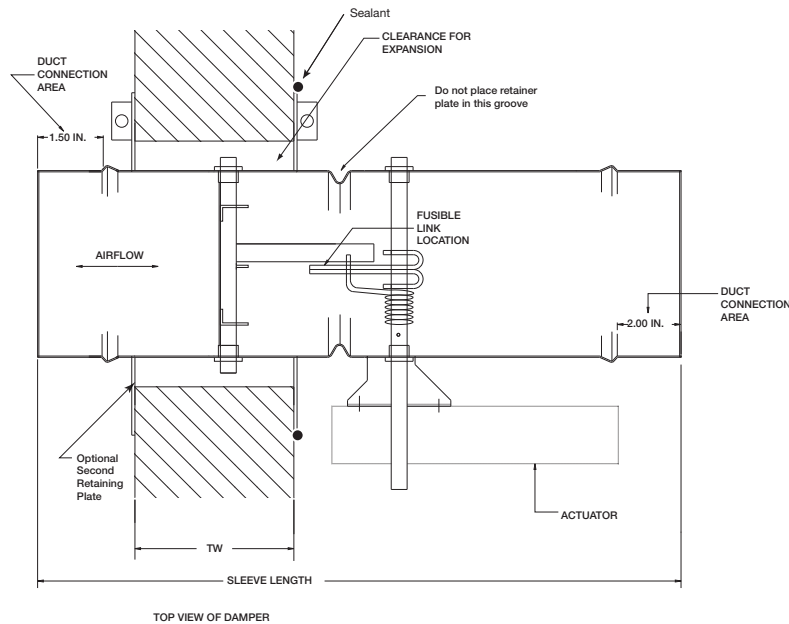


Figure 4: Round Damper

Our Commitment

As a result of our commitment to continuous improvement, Greenheck reserves the right to change specifications without notice.

Product warranties can be found online at Greenheck.com, either on the specific product page or in the literature section of the website at Greenheck.com/Resources/Library/Literature.

