

## Assembly Instructions

Please read and save these instructions for future reference. Read carefully before attempting to assemble, install, operate or maintain the product described. Protect yourself and others by observing all safety information. Failure to comply with these instructions will result in voiding of the product warranty and may result in personal injury and/or property damage.

### Step 1: Unpack and Inspect Parts

PARTS LIST	Exhaust / Supply Fans									
	Parts Description									
Parts Description	Fan Size / Quantity of Parts per Fan Size									
	18	20	24	30	36	42	48	54	60	72
Fan / Base Assembly	1	1	1	1	1	1	1	1	1	1
Hood Support Rail Assembly	2	2	2	2	2	2	2	2	2	2
Side Birdscreens (Long Screens)	2	2	2	2	2	2	2	2	2	2
Side Birdscreens (Short Screens)	2	2	2	2	2	2	2	2	2	2
Hood Rails	2	2	2	2	2	2	2	2	2	2
Hood Panels including 1 Male & 1 Female hood enclosure panel	4	4	5	6	7	8	9	9	10	11
Hood Clips for sizes 54 - 72	-	-	-	-	-	-	-	2	2	2

Shaded sizes will always ship fully assembled unless otherwise specified.

### Tools Required

- Drill
- 3/8, 7/16, 1/2 and 9/16-inch wrenches and sockets
- 5/16-inch nut runner bit for drill
- Rubber mallet
- Awl for hole alignment

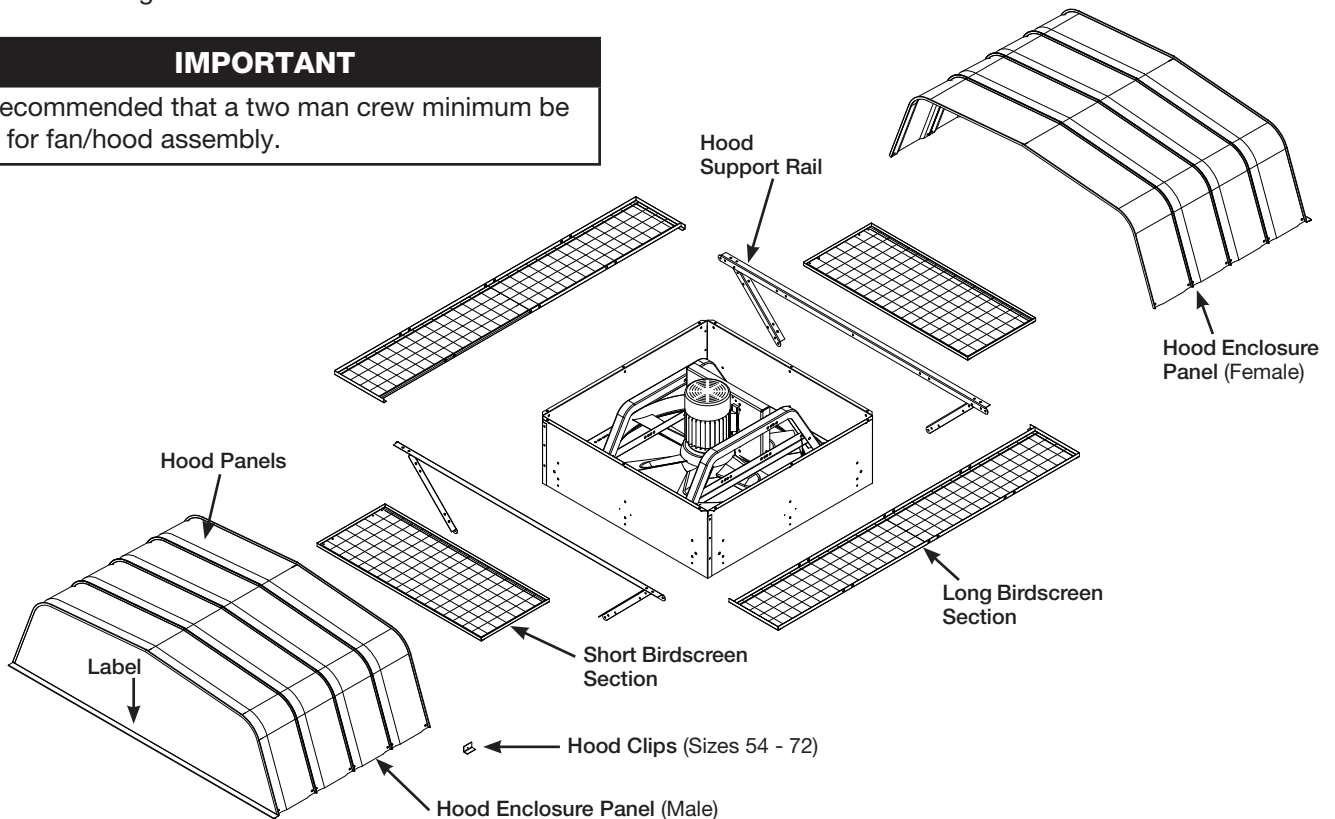
Each fan that is shipped knocked down has the following hardware package containing:

Part #827384 - Hardware Package			
	Qty.	Size	Type
Part #816526	16	3/8 - 16 x 3/4	Spinlock Bolts
Hood Support Fastener	12	#3/8 - 16	Spinlock Nuts
Part #827383	8	3/8 - 16 x 1-1/2	Spinlock Bolts
	8	#3/8 - 16	Spinlock Nuts
	2	—	Hood Clips
	8	#12 x 5/8	Sheet Metal Screws with Washer
Part #816528	26	5/16 - 18 x 3/4	Welded Stud Bolts
	26	5/16 - 18	Spinlock Nuts
	4	#12 x 3/4	Self-Drilling Screws with Washer

*Note: Hardware package is designed for the filtered 72 inch (1823 mm) fan. When used on smaller sizes there will be some fasteners left over.*

### IMPORTANT

It is recommended that a two man crew minimum be used for fan/hood assembly.



## Step 2: Fasten Hood Support Rails

### Hardware Required:

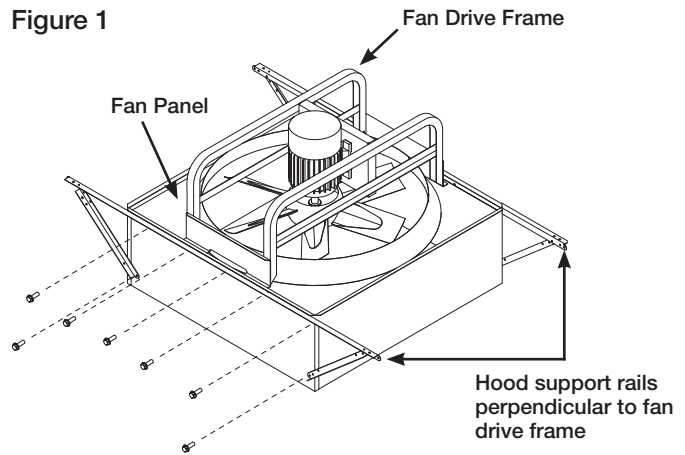
Hardware Package #816526  
3/8 - 16 x 3/4 inch hex head spinlock bolts and nuts

### Quantity:

Up to (8) fasteners per side for fan size 72; less required for smaller sizes.

### Instructions:

**WRENCH TIGHTEN** the hood support rails perpendicular to fan drive frame as shown. Mounting holes in fan base will line up with holes in hood support rails. Figure 1.



### IMPORTANT

#### Belt and Direct Drive Supply Fan Models

The fan panel bolts are also used for the hood support rails. Remove fan panel bolts (one side at a time) and reinstall through the hood support rails.

## Step 3: Install Birdscreen Sections

### Hardware Required:

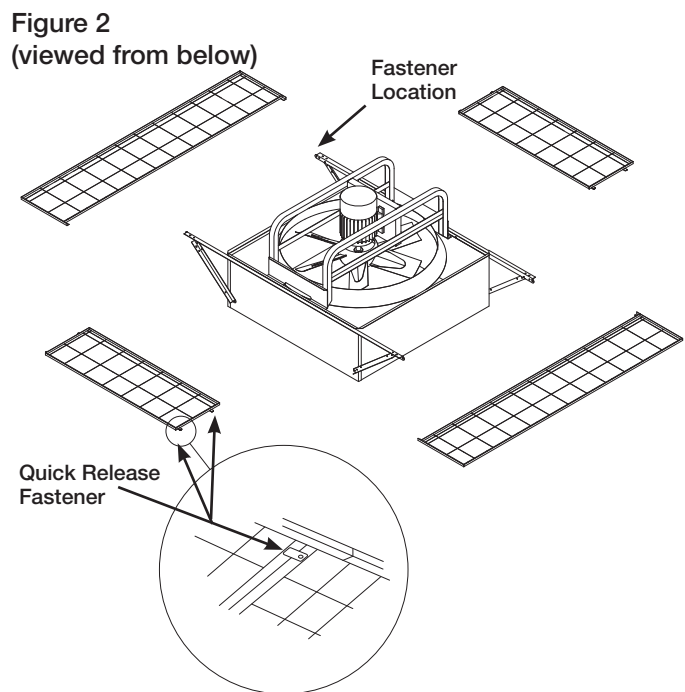
Hardware Package #816528  
5/16 - 18 x 3/4 inch weld studs and spinlock nuts

### Quantity:

Only 10 sets required of the 26 sets provided.

### Instructions:

- A) **FINGER TIGHTEN** the long birdscreen sections to the hood support rails at the locations indicated using the 10 sets of fasteners.
- B) Lay the short birdscreen sections in place and rotate the quick release fasteners on the underside of the birdscreen to secure. Figure 2.



## Step 4: Assemble Hood Panel Sections

### Hardware Required:

Hardware Package #827383  
3/8 - 16 x 3/4 inch spinlock bolts and nuts  
#12 x 5/8 inch screw with washer hood clips

### Quantity:

4 sets of nuts and bolts, 2 clips, and 2 screws

### Instructions:

- A) Locate a 5 panel assembly with splices and a 4 panel assembly. Assemble hood halves on the ground. The open female rib of the 4 panel assembly will go over the open male rib of the 5 panel assembly (see Figure 3A). Use (4) 3/8 - 16 x 3/4 inch bolts and (4) 3/8 inch - 16 nuts to secure the hood sections together at the hood rail splice.
- B) Install the 2 hood clips (see Figure 3B) only on sizes 54 and larger.

Figure 3A

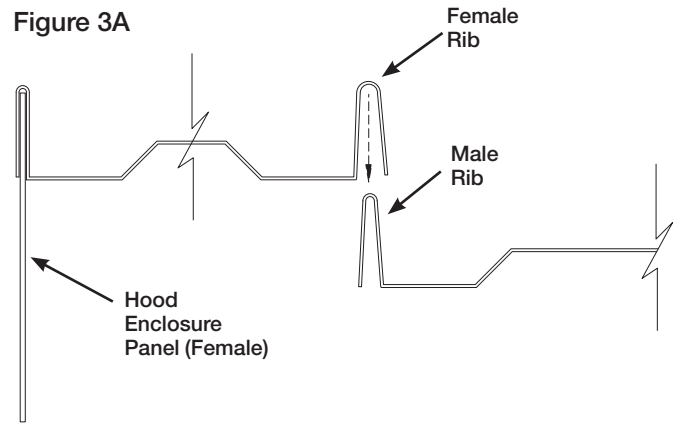
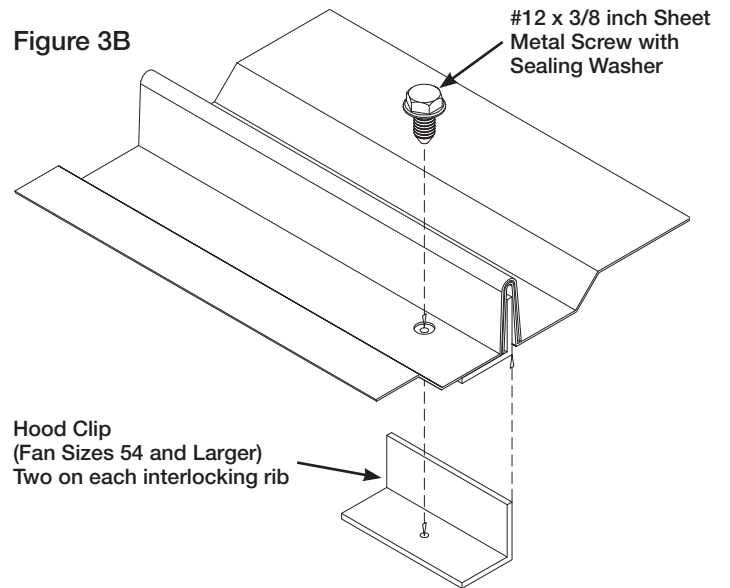


Figure 3B

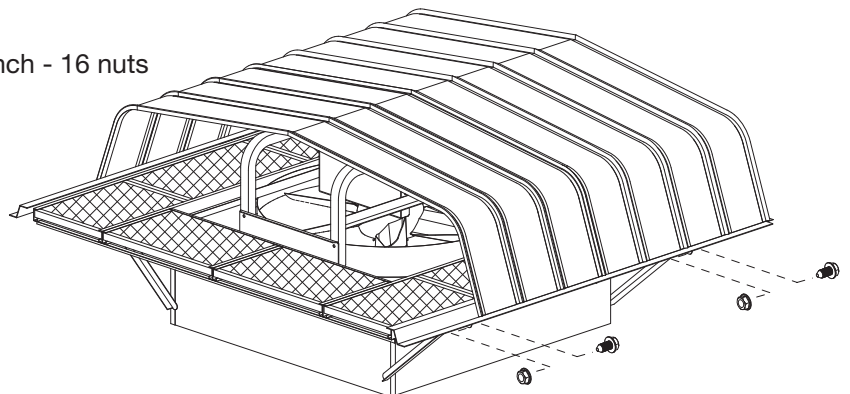


## Step 5: Place Assembled Hood on the Hood Support Rails

### Instructions:

Use (4) 3/8 - 16 x 3/4 inch bolts and (4) 3/8 inch - 16 nuts to secure the hood to the hood support rails. Figure 4.

Figure 4



## Step 6: Secure Hood and Birdscreen (sizes 54-72 only)

### Hardware Required:

Hardware Package #816528

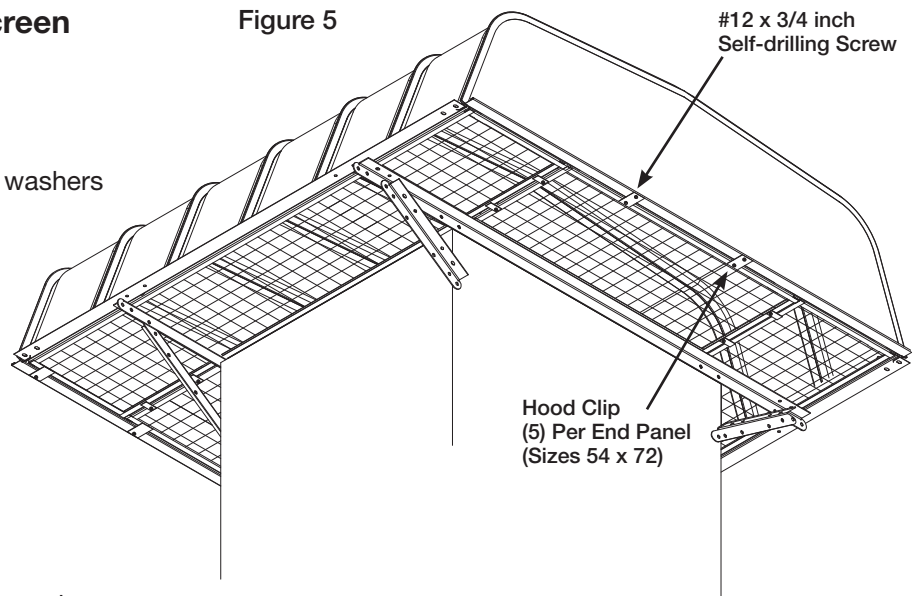
#12 x 3/4 inch self-drilling screws with washers

### Quantity:

4 pieces, two required per hood  
and two extras

### Instructions:

- A) With birdscreen and hood installed, locate the birdscreen clips (5 per hood end panel). Loosen the fasteners and rotate them 90° so that they support the birdscreen. Retighten fasteners.
- B) Locate the center birdscreen clip on each hood end panel. Push hood end panel against birdscreen. Install the #12 x 3/4 inch self-drilling screw with washer (1 per end panel) thru birdscreen clip into birdscreen frame. Figure 5.



## Our Commitment

*As a result of our commitment to continuous improvement, Greenheck reserves the right to change specifications without notice.*

Specific Greenheck product warranties are located on [greenheck.com](http://greenheck.com) within the product area tabs and in the Library under Warranties.

Greenheck Hooded Propeller Roof Fans catalog provides additional information describing the equipment, fan performance, available accessories, and specification data.

AMCA Publication 410-96, Safety Practices for Users and Installers of Industrial and Commercial Fans, provides additional safety information. This publication can be obtained from AMCA International, Inc. at [www.amca.org](http://www.amca.org).

