

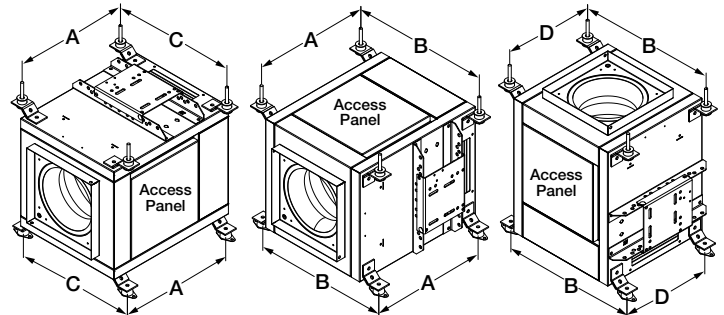
Installation, Operation and Maintenance Manual

Please read and save these instructions for future reference. Read carefully before attempting to assemble, install, operate or maintain the product described. Protect yourself and others by observing all safety information. Failure to comply with these instructions will result in voiding of the product warranty and may result in personal injury and/or property damage.

Vibration Isolator Dimensional Data

Model	A	B	C	D
BDF-80	20 ³ / ₄ (527)	—	22 ¹ / ₁₆ (576)	—
BDF-90	21 ³ / ₄ (552)	—	25 ⁵ / ₈ (651)	—
BDF-100	23 ³ / ₄ (603)	—	27 ¹ / ₈ (689)	—
BDF-120	30 ¹ / ₂ (775)	—	31 ⁵ / ₈ (803)	—
BDF-150	32 (813)	—	35 (889)	—
BDF-180	37 ³ / ₈ (949)	—	44 (1118)	—
BDF-200	47 ³ / ₈ (1203)	—	51 ¹ / ₂ (1308)	—
SQ 60-75	10 ⁵ / ₈ (270)	17 (432)	15 ³ / ₄ (400)	8 ⁷ / ₈ (225)
SQ 80-95	13 ¹ / ₄ (337)	20 ¹ / ₈ (511)	18 ³ / ₄ (476)	11 ¹ / ₈ (302)
SQ 97-99	18 ⁵ / ₈ (473)	20 ¹ / ₈ (511)	18 ³ / ₄ (476)	11 ¹ / ₈ (302)
SQ-100	18 ⁵ / ₈ (473)	22 ¹ / ₈ (562)	20 ³ / ₄ (527)	13 ³ / ₈ (352)
SQ-120	18 ⁵ / ₈ (473)	24 (610)	22 ³ / ₄ (578)	16 (406)
SQ-130 (HP)	18 ⁵ / ₈ (473)	26 ¹ / ₈ (664)	24 ³ / ₄ (629)	17 ¹ / ₈ (454)
SQ-140 (HP)	19 ⁵ / ₈ (498)	28 ¹ / ₈ (714)	26 ³ / ₄ (679)	19 ¹ / ₈ (505)
SQ-160 (HP)	23 ¹ / ₂ (597)	31 (787)	29 ³ / ₄ (756)	22 ⁷ / ₈ (581)
BSQ 70-90	18 ⁵ / ₈ (473)	20 ¹ / ₈ (511)	18 ³ / ₄ (476)	11 ¹ / ₈ (302)
BSQ 100	18 ⁵ / ₈ (473)	22 ¹ / ₈ (562)	20 ³ / ₄ (527)	13 ³ / ₈ (352)
BSQ 120	18 ⁵ / ₈ (473)	24 (610)	22 ³ / ₄ (578)	16 (406)
BSQ 130 (HP)	18 ⁵ / ₈ (473)	26 ¹ / ₈ (664)	24 ³ / ₄ (629)	17 ¹ / ₈ (454)
BSQ 140 (HP)	19 ⁵ / ₈ (498)	28 ¹ / ₈ (714)	26 ³ / ₄ (679)	19 ¹ / ₈ (505)
BSQ 160 (HP)	23 ¹ / ₂ (597)	31 (787)	29 ³ / ₄ (756)	22 ⁷ / ₈ (581)
BSQ 180 (HP)	25 ¹ / ₂ (648)	33 ¹ / ₂ (851)	29 ⁹ / ₁₆ (751)	22 ³ / ₄ (578)
BSQ 200 (HP)	29 ¹ / ₈ (740)	37 (940)	33 ³ / ₄ (857)	26 ³ / ₄ (679)
BSQ 240 (HP)	31 ⁵ / ₈ (803)	44 ¹ / ₄ (1124)	40 ³ / ₄ (1035)	33 ³ / ₈ (860)
BSQ 300 (HP)	35 (889)	51 (1295)	47 ³ / ₄ (1213)	40 ⁷ / ₈ (1038)
BSQ 360 (HP)	38 ³ / ₄ (974)	57 ¹ / ₄ (1454)	53 ¹ / ₂ (1359)	46 ³ / ₄ (1187)
BSQ 420 (HP)	47 ¹ / ₈ (1197)	63 (1600)	59 ⁷ / ₈ (1521)	59 ⁷ / ₈ (1521)

All dimensions in inches (millimeters).



Models
SQ / BSQ / BDF

Models
SQ / BSQ

Models
SQ / BSQ

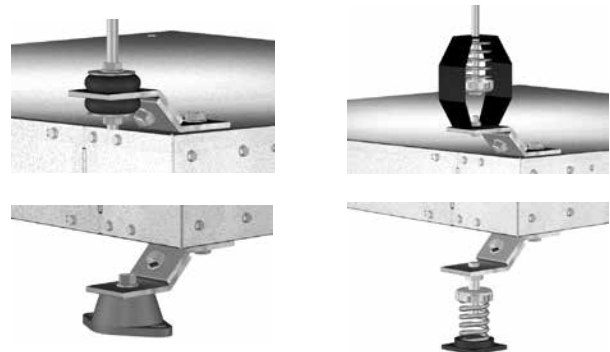
Isolator Mounting

Upon receiving unit, check for any damage and report it immediately to the shipper. Also, check to see that all accessory items are accounted for.

Move fan to the desired location and determine the position in which the unit is to be mounted. Punch out four (4) knock-out holes which are located on the unit top and bottom panels. Assemble the brackets to the unit according to the drawings below and refer to respective parts list (reverse side). Make certain all connectors are tight and that all washers are used.

REPLACEMENT SPRING ISOLATOR(S)					
MODEL	FAN SIZES				
BDF	----	80-90	100-120	150-180	200
BSQ	----	70-130	140-200	240-300	360-420
SQ	60-100	120-140	160	----	----
BASE MOUNT	FDS-1-35 BLUE	FDS-1-70 GREEN	FDS 1-120 GRAY	FDS-1-220 BROWN	FDS-1-370 ORANGE
HANGING	SH-1-35 BLUE	SH-1-70 GREEN	SH-1-125 GRAY	SH-1-245 BROWN	SH-1-370 ORANGE

REPLACEMENT NEOPRENE ISOLATOR(S)			
MODEL	FAN SIZE		
BDF	80-100	120-150	180-200
BSQ	70-140	160-200	240-420
SQ	60-140	160	----
BASE MOUNT	R-1 GREEN	R-2 BLACK	R-2 RED
HANGING	40DUR BLACK	50DUR BLACK	50DUR BLACK



Pre-Starting Checks

Check all fasteners for tightness.

Maintenance

All fasteners should be checked for tightness each time maintenance checks are performed prior to restarting the unit. A proper maintenance program will help these units deliver years of dependable service.

NOTE: Before taking any corrective action, make certain unit is not capable of operation during repairs.

Isolator Parts List

STANDING SUPPORT ISOLATOR				HANGING SUPPORT ISOLATOR					
				<p>Note: Top bracket is reversible for mounting unit 90° from indicated. (SQ and BSQ only)</p>					
No	Qty	Description	SQ-60 thru 140 BSQ-100 thru 140 BDF-80 thru 150	SQ-160 BSQ-160 thru 420 BDF-180 thru 200	No	Qty	Description	SQ-60 thru 140 BSQ-100 thru 140 BDF-80 thru 150	SQ-160 BSQ-160 thru 420 BDF-180 thru 200
1	8	Cadmium plated hex head bolts	3/8 in. - 16 x 1 in.	3/8 in. - 16 x 1 1/4 in.	1	8	Cadmium plated hex head bolts	3/8 in. - 16 x 1 in.	3/8 in. - 16 x 1 1/4 in.
2	8	Cadmium plated hex nuts	3/8 in. - 16	3/8 in. - 16	2	16	Cadmium plated hex nuts	3/8 in. - 16	3/8 in. - 16
3	4	Cadmium plated hex head bolts	5/16 in. - 18 x 1 in.	3/8 in. - 16 x 1 in.	3	4	St. mount bracket w/1 - 1/4 in hole	3/16 in.	1/4 in.
4	8	St. mount bracket w/2 - 7/16 in. holes	3/16 in.	1/4 in.	4	4	St. mount bracket w/2 - 7/16 in. holes	3/16 in.	1/4 in.
5	20	Cadmium plated washer	7/8 in. O.D x 3/8 in. I.D. x 1/16 in.	7/8 in. O.D x 3/8 in. I.D. x 1/16 in.	5	24	Cadmium plated washer	7/8 in. O.D x 3/8 in. I.D. x 1/16 in.	7/8 in. O.D x 3/8 in. I.D. x 1/16 in.
6	12	Cadmium plated lock washer	3/8 in.	3/8 in.	6	12	Cadmium plated lock washer	3/8 in.	3/8 in.
7	4	Cadmium plated washer	1 3/8 in. O.D x 9/16 in. I.D. x 3/32 in.	1 3/8 in. O.D x 9/16 in. I.D. x 3/32 in.	7	12	Cadmium plated washer	1 3/8 in. O.D x 9/16 in. I.D. x 3/32 in.	1 3/8 in. O.D x 9/16 in. I.D. x 3/32 in.
8	4	Neoprene or Spring Isolator	Reference appropriate table on page 1 for replacement Isolator(s)		8	4	Neoprene or Spring Isolator	Reference appropriate table on page 1 for replacement Isolator(s)	

Our Commitment

As a result of our commitment to continuous improvement, Greenheck reserves the right to change specifications without notice.

Specific Greenheck product warranties are located on greenheck.com within the product area tabs and in the Library under Warranties.

Greenheck Models SQ, BSQ and BDF catalogs provide additional information describing the equipment, fan performance, available accessories, and specification data.

AMCA Publication 410-96, Safety Practices for Users and Installers of Industrial and Commercial Fans, provides additional safety information. This publication can be obtained from AMCA International, Inc. at www.amca.org.

