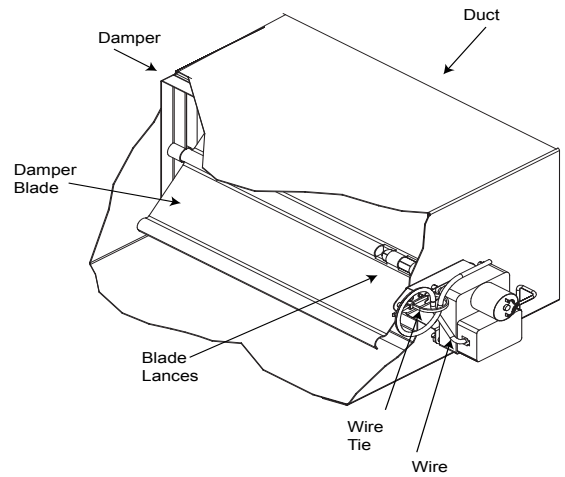


These instructions apply to the external field installation of an actuator kit for RBD-10 dampers.

## Instructions

The RBD-10 dampers are supplied with an actuator kit that must be field installed as follows:

- 1) Install the RBD-10 damper into the ductwork with the lanced end of the blade positioned to the side of the duct where the actuator is to be located (see drawing).
- 2) Drill a minimum  $\frac{3}{16}$  in. (14mm) diameter hole that lines up with the center pivot of the damper blade.
- 3) Insert the pointed end of the pin through the hole and into the blade lances. Pound the pin into the blade lances until the end of the pin is  $\frac{1}{2}$  in. (13mm) outside of the duct surface while the blade is centered in the damper frame.
- 4) With the blade closed, install the actuator by aligning the coupler over the end of the square pin and sliding the actuator assembly onto the pin until the bracket is in contact with the duct surface.
- 5) Check the blade clearance to be sure that the blade can move side to side in the frame and it is not pressed against the opposite side of the damper frame. If the blade is pressed against the opposite side, the pin may need to be pressed a little further into the blade.
- 6) Connect a Greenheck EZ Balance control device to the actuator. While holding the actuator assembly against the duct, press and hold the “Close” button until the “Full Closed” light flashes.
- 7) Rotate the actuator assembly to hold the blade closed then secure the actuator to the duct using the two supplied screws.
- 8) Recheck the blade clearance and damper operation by cycling the actuator.
- 9) All wire connections from the wall or ceiling jack to the damper actuator must be secured to the building structure in such a way as to prevent strain on the wire connections (for example: use wire ties to secure a wire loop at each connection and intermittently between the connections).
- 10) The actuator mounting bracket has a factory installed wire tie for the purpose of providing strain relief at the actuator. Thread the wire through the wire tie, loop around and back through the wire tie before connection to the actuator box. Tighten the wire tie leaving a short loop at the actuator.



After the damper and wiring is installed, operation of the damper and wiring circuit must be visually verified by connection the “EZ Balance” remote to the wall jack and power up the unit. Using the switches on the “EZ Balance” remote, run the damper through a complete cycle from full close to full open and reverse back to the closed position. Document that proper operation has been verified.

## Our Commitment

*As a result of our commitment to continuous improvement, Greenheck reserves the right to change specifications without notice.*

Product warranties can be found online at [Greenheck.com](http://Greenheck.com), either on the specific product page or in the literature section of the website at [Greenheck.com/Resources/Library/Literature](http://Greenheck.com/Resources/Library/Literature).