

Installation, Operation and Maintenance Manual

Note: For dampers installed in ducts

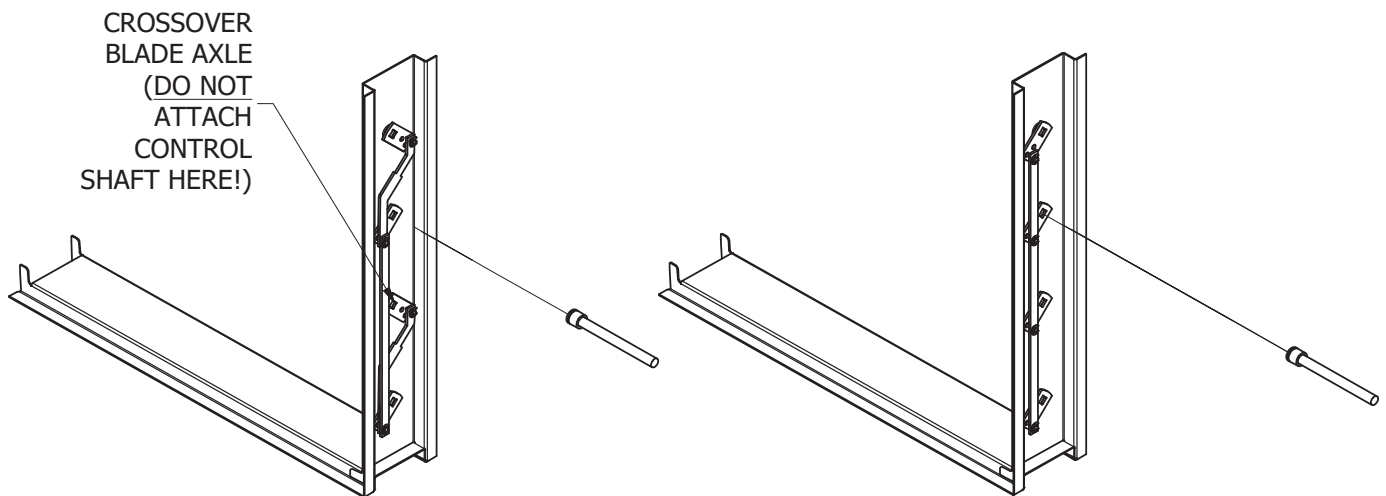
Extended control shaft is installed from outside of duct after damper is installed. Install as shown below.

Tools Required:

- 5/16 in. Hex nut driver
- 3/8 in. Electric drill
- 1/2 in. Open end wrench

Part Number 846032 316SS Extension Pin with Clip

No.	Qty	Description	Part Number
1	1	Control Shaft	463921
2	1	Retaining Clip	454204



Before Installing Damper in the Duct

- If damper has more than one blade, determine which blade axle will be driven by the extended control shaft. Always attach extended control shaft to a blade axle which is directly connected to the main linkage tiebar. DO NOT attach extended control shaft to a crossover blade axle.
- Cut hole approximately 1 in. (25mm) diameter in duct where damper drive blade axle will be located. Hole must provide clearance for enlarged portion of extended control shaft.

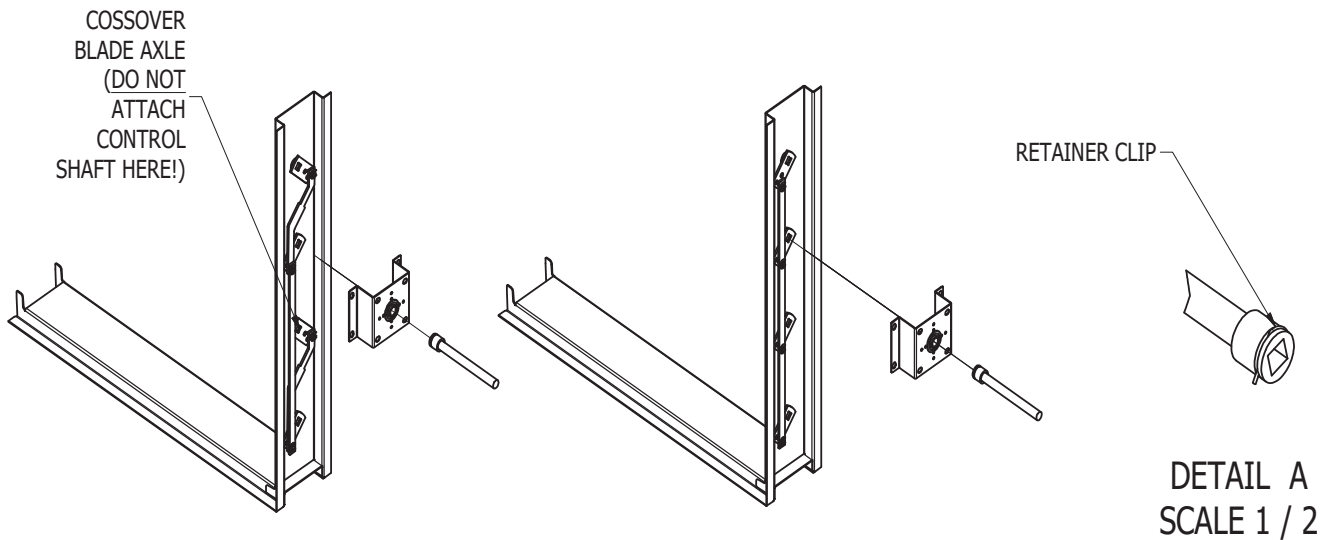
After Damper is Installed in Duct

- Push extended control shaft through hole in duct and onto drive blade axle. Retainer clip should “click” into groove on drive blade axle and hold shaft into place.

Standard control shaft location is the third blade from the bottom on dampers with three or more blades. Control shaft location is the first blade from the bottom on dampers with one or two blades.

Part Number 829038 316SS ½ in. Extension Pin Kit			
No.	Qty	Description	Part Number
-	4	Screws	by others
1	1	Stand off bracket with ball bearing	687784
2	1	Control Shaft (6½ in.)	463921
3	1	Retaining Clip	454204

Part Number 879734 316SS ½ in. Extension Pin Kit			
No.	Qty	Description	Part Number
-	4	Screws	by others
1	1	Stand off bracket with ball bearing	687784
2	1	Extended Control Shaft (12 in.)	879738
3	1	Retaining Clip	454204



Before Installing Damper in the Duct

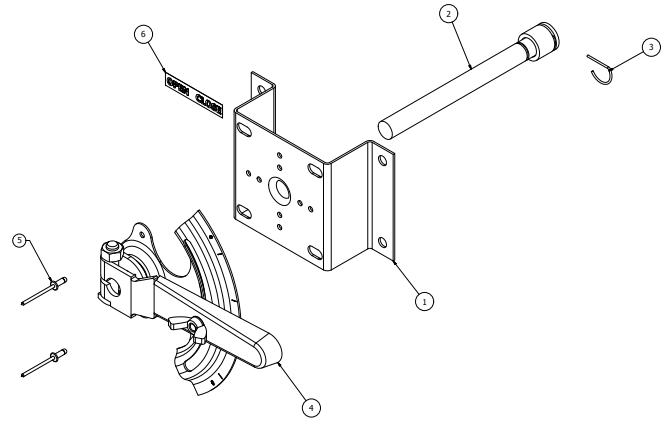
1. If damper has more than one blade, determine which blade axle will be driven by the extended control shaft. Always attach extended control shaft to a blade axle which is directly connected to the main linkage tiebar. DO NOT attach extended control shaft to a crossover blade axle.
2. Cut hole approximately 1 in. (25mm) diameter in duct where damper drive blade axle will be located. Hole must provide clearance for enlarged portion of extended control shaft.

After Damper is Installed in Duct

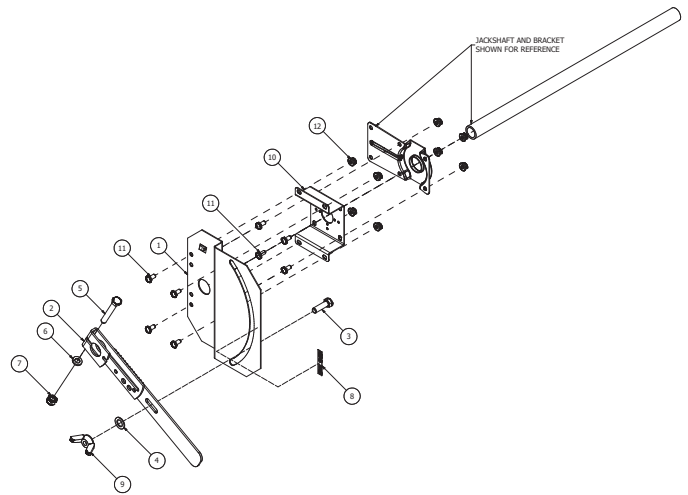
1. Push extended control shaft through hole in duct and onto drive blade axle. Retainer clip should “click” into the groove on the drive blade axle and hold shaft into place.
Standard control shaft location is the third blade from the bottom on dampers with three or more blades. Control shaft locations the first blade from the bottom on dampers with one or two blades.
2. Install the stand off bracket with bearing over the extended control shaft and screw bracket to the duct. Make sure screws (provided by others) do not interfere with damper linkage or blade movement.

Caution: Stand off bracket with bearing is needed to support the extended control shaft. If not installed as directed, the extended control shaft may not operate the damper correctly.

Part Number 829039 316SS ½ in. Extension Pin Kit with Manual Quadrant			
No.	Qty	Description	Part Number
1	1	Standoff Bracket	687784
2	1	Control Shaft	463921
3	1	Retaining Clip	454204
4	1	Manual Quadrant (½ in.)	464699
5	2	0.125 in. Rivet	416308
6	1	Label - Open/Close	452690



Part Number 872390 316SS 1 in. Manual Quadrant Kit			
No.	Qty	Description	Part Number
1	1	Manual Quadrant Bracket	687407
2	1	1 in. Quadrant Lever Arm	827734
3	1	¾-16 x 1¼ 316SS Bolt	415780
4	1	½ in. flat washer SS	415401
5	1	¾ -16 x 2½ 316SS Bolt	415944
6	1	¾ in. 316SS Locking Washer	415810
7	1	¾-16 Hex Nut 316SS	415799
8	1	Label, Open/Close	452690
9	1	¾ -16 wing nut 316SS	416132
10	1	Standoff Bracket	687405
11	8	¼-20 x ½ bolt 316SS	415868
12	8	¼-20 Nut 316SS	417305



Non-Jackshafted Dampers

Control damper should be mounted in the duct and the shaft extension mounted onto the correct blade of the damper before continuing with these instructions.

After Extended shaft is Installed

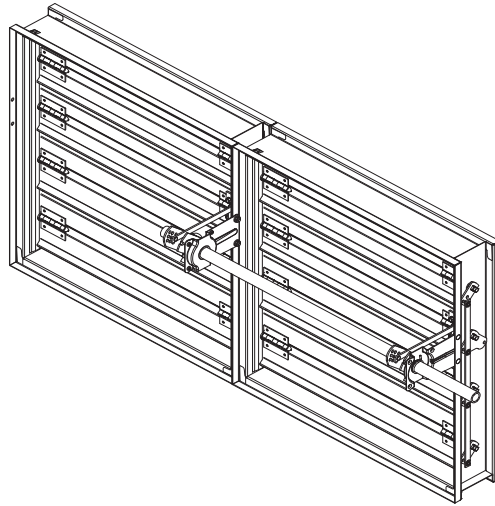
1. Assemble manual quadrant to extension bracket assembly (screws provided).
2. With damper either fully open or closed, lock manual quadrant to extended control shaft so manual quadrant can move damper between open and closed.

Note: Tighten down bolt on manual quadrant to 250 in. lbs. of torque.

Apply "OPEN" and "CLOSED" labels if damper movement is opposite to that engraved in the manual quadrant.

3. Set damper to desired position and tighten wing nut on manual quadrant to hold damper in place.

Jackshafted Damper



1. The jackshaft is, either, $\frac{1}{2}$ in. or 1 in. diameter depending upon the size of the damper. The manual quadrant kit for the $\frac{1}{2}$ in. diameter jackshaft is part number 811518 and the manual quadrant kit for 1 in. diameter jackshaft is part number 813938.
2. With the damper either fully open or closed, lock manual quadrant to jackshaft so manual quadrant can move damper between open and closed.
Note: Tighten down the bolt on the manual quadrant to 250 in. lbs. of torque. Apply “OPEN” and “CLOSED” labels if damper movement is opposite to that engraved in the manual quadrant.
3. Set the damper to desired position and tighten wing nut on manual quadrant to hold damper in place.

Our Commitment

As a result of our commitment to continuous improvement, Greenheck reserves the right to change specifications without notice.

Specific Greenheck product warranties are located on greenheck.com within the product area tabs and in the Library under Warranties.

