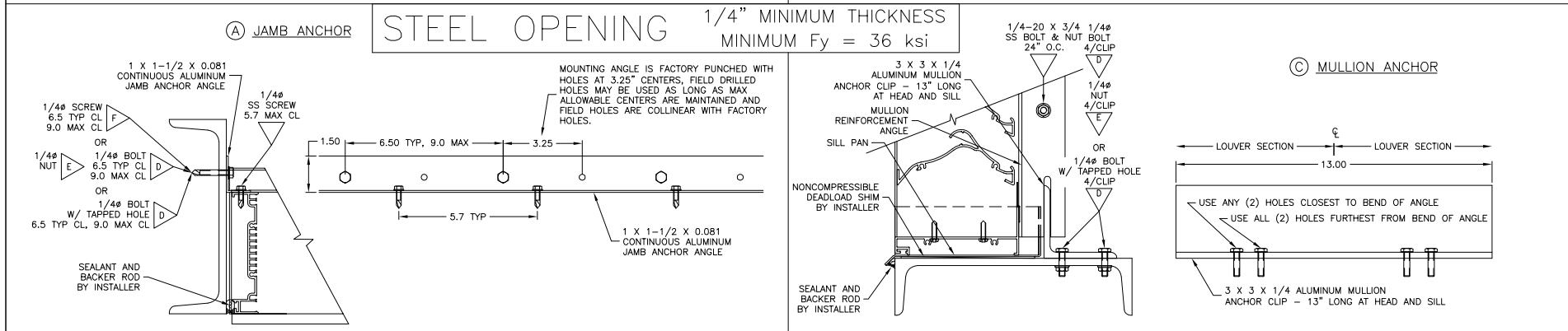
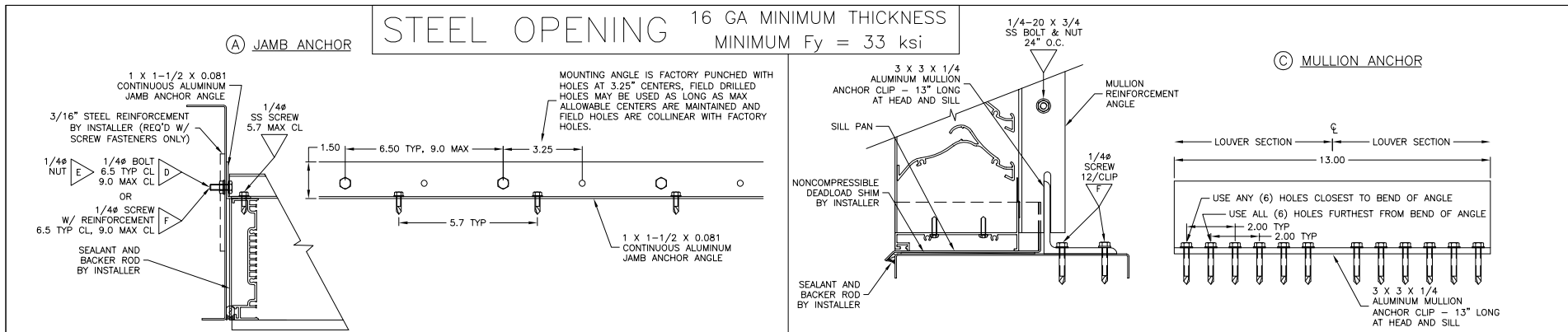


FIELD FASTENER SCHEDULE (BY INSTALLER)

TYPE	DESCRIPTION	MIN. EMBED.	MIN. EDGE DIST.	MIN. SPACING
A	1/2" LAG SCREW	3"	2 1/2"	3"
B	1/4" WOOD SCREW	3"	1/2"	1 1/2"
C1	1/4" TAPCON ANCHOR	1 1/4"	1"	3.25" (MAX)
C2	1/4" TAPCON ANCHOR	1 3/4"	2.5"	2" (MAX)

INSTALLER TO PROVIDE SEPARATION OF DISSIMILAR MATERIALS AS REQUIRED

INSTRUCTIONAL				
PAINT	PART NO.	MAT'L	GAUGE	DESCRIPTION
				 P.O. BOX 410 SCHOFIELD, WISCONSIN 54476-0410
TITLE		DRAWN BY		DATE
EHH-501X INSTALLATION DETAILS 1 OF 2		 P.O. BOX 410 SCHOFIELD, WISCONSIN 54476-0410		STEELE 08/16/2011
				ECU JAN36764 EHH-501X IOM PART # 475580
SCALE				619609
CAD DRAWING NO.				B



GENERAL NOTES:

- IT SHALL BE THE RESPONSIBILITY OF THE PERMIT HOLDER TO VERIFY THE STRUCTURAL INTEGRITY OF THE EXISTING STRUCTURE TO SUPPORT THE LOADS SUPERIMPOSED BY THE LOUVERS.
- INSTALLER TO PROVIDE SEPARATION OF DISSIMILAR MATERIALS AS REQUIRED.
- WOOD SUBSTRATE TO BE MINIMUM G = 0.42 DENSITY.
- CONCRETE SUBSTRATE TO BE MINIMUM 3,200 PSI.
- STEEL STUD OPENINGS (16 GA MINIMUM THICKNESS) TO BE MINIMUM Fy = 33 ksi
- STRUCTURAL STEEL OPENINGS (1/4" MINIMUM THICKNESS) TO BE MINIMUM Fy = 36 ksi.

FIELD FASTENER SCHEDULE (BY INSTALLER)

TYPE	DESCRIPTION	MIN. EMBED.	MIN. EDGE DIST.	MIN. SPACING
D	1/4" BOLT	FULL	1/2"	1"
E	1/4" NUT	FULL	1/2"	1"
F	1/4" SCREW	FULL	1/2"	1"

INSTALLER TO PROVIDE SEPARATION OF DISSIMILAR MATERIALS AS REQUIRED

INSTRUCTIONAL			
PART	PART NO.	MAT'L	GAUGE
DRAWN BY DESCRIPTION			
GREENHECK			STEELE
P.O. BOX 410 SCHOFFIELD, WISCONSIN 54476-0410			JAN36764
DATE			ENG. REF.
08/17/2011			EHH-501X
TITLE			SUPERSERIES
EHH-501X INSTALLATION			IOM PART #
DETAILS 2 OF 2			475580
SCALE			CAD DRAWING NO.
			620758

