

Installation, Operation and Maintenance Manual

Please read and save these instructions for future reference. Read carefully before attempting to assemble, install, operate or maintain the product described. Protect yourself and others by observing all safety information. Failure to comply with these instructions will result in voiding the product warranty and may result personal injury and/or property damage!

WARNING!

To reduce the risk of fire, electric shock, or injury, observe the following:

- Some units suitable for use with solid state speed controls.
- When cutting or drilling into wall or ceiling, do not damage electrical wiring or other hidden utilities.
- If connecting cables are found to be cut or defective, switch off the power supply and call a professional technician to replace the wires/ connection.
- Never place a switch where it can be reached from a tub or shower.
- Ducted fans must always be vented to the outdoors.
- These fans are not recommended for cooking exhaust applications. They are designed primarily for low temperature, clean air applications only.
- Fan is not intended for mounting in outside windows or walls.

CAUTION!

- For general ventilating use only. Do not use to exhaust hazardous or explosive materials and vapors.

127, 208 and 220-240V/60Hz/1-phase

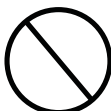
- Black wire is "Hot"
- White wire is "Hot/Neutral" if present
- Green wire or Green and Yellow stripe wire is "Ground" if present

380 and 400V/60Hz/3-phase

- Black wires are "Hot"
- Green and Yellow stripe wire is "Ground" if present



Use a device for disconnection from the supply, having a contact separation of at least 3 mm in double poles switch, which must be incorporated in the fixed wiring in accordance with the local electrical wiring rules.



For this fan, precautions must be taken to avoid the back-flow of gases into the room from the open-flue of gas or other fuel-burning appliances.



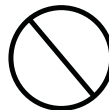
This product must be properly and reliably grounded.



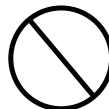
Use this fan at the rated voltage and frequency indicated on the name plate.



Do not allow water to contact electrical parts such as motors or switches.



Do not switch this product on or off in case of gas leakage; otherwise, the electric spark may result in an explosion.



Do not spray or clean this product directly with water or other liquid; otherwise, a short circuit or an electrical shock may occur.



Do not disassemble the unit for reconstruction.



Make sure that its power switch is set to OFF before you touch this product; otherwise, an electrical shock may occur.



This fan must be installed by a qualified technician.



This fan should be installed so that the blades are more than 2.3 m above the floor.



Routine maintenance is required every year. Ensure that the fan is switched off from the main supply power source before removing the guard.



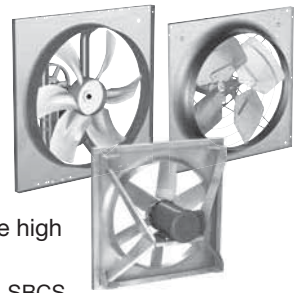
This appliance is not intended for the use by persons (including children) with reduced physical, sensory or mental capabilities, or lack of experience and knowledge, unless they have been given supervision or instruction concerning use of the appliance by a person responsible for their safety. Children should be supervised to ensure that they do not play with the appliance.

Sidewall Propeller Fans

Greenheck's sidewall propeller fan line is the ideal choice for factory and warehouse applications where high volumes of air and low pressures are required. From general ventilation to industrial duty, the range of construction and performance capabilities offered represent the most comprehensive sidewall propeller fan line in the industry.

Performance spans the range between 250 to 87,000 cfm (425 to 147,814 m³/hr) with static pressures to 2.45 in. wg (610 Pa). Fan sizes range from 8 to 60 inches (203 to 1524 mm) for direct drive and 20 to 72 inches (508 to 1829 mm) for belt drive. Regardless of fan size, performance or duty level, all Greenheck sidewall propeller fans are built to perform with the same high standards of reliability and durability. All models are available in exhaust or supply arrangements.

Models AER, SE1, SS1, SE2, SS2, SCE3, SCS3, SCR3, SBE-1, SBS-1, SBE-2, SBS-2, SBE-3, SBS-3, SBCE, SBCE, and SBCR.



Filtered Supply

Filtered supply wall housings are available in seven sizes for fans ranging from size 24 to 54 inches (610 to 1372 mm). They are designed with the draw-thru concept to achieve the highest filter and fan efficiencies. Permanent 2-inch (51 mm) washable filters are accessed through a bolted panel and can be easily removed for cleaning.



General Safety Information

Only qualified personnel should install this fan. Personnel should have a clear understanding of these instructions and should be aware of general safety precautions. Improper installation can result in electric shock, possible injury due to coming in contact with moving parts, as well as other potential hazards. Other considerations may be required if high winds or seismic activity are present. If more information is needed, contact a licensed professional engineer before moving forward.

1. Follow all local electrical and safety codes, as well as the National Electrical Code (NEC) and the National Fire Protection Agency (NFPA), where applicable. Follow the Canadian Electric Code (CEC) in Canada.
2. The rotation of the propeller is critical. It must be free to rotate without striking or rubbing any stationary objects.
3. Motor must be securely and adequately grounded.
4. Do not spin fan propeller faster than max cataloged fan RPM. Adjustments to fan speed significantly effects motor load. If the fan RPM is changed, the motor current should be checked to make sure it is not exceeding the motor nameplate amps.
5. Do not allow the power cable to kink or come in contact with oil, grease, hot surfaces or chemicals. Replace cord immediately if damaged.
6. Verify that the power source is compatible with the equipment.
7. Never open access doors to a duct while the fan is running.

DANGER

Always disconnect, lock and tag power source before installing or servicing. Failure to disconnect power source can result in fire, shock or serious injury.

CAUTION

When servicing the fan, motor may be hot enough to cause pain or injury. Allow motor to cool before servicing.

CAUTION

Precaution should be taken in explosive atmospheres.

DANGER

Pour écarter les risques d'incendie, de choc électrique ou de blessure grave, veiller à toujours débrancher, verrouiller et étiqueter la source de courant avant l'installation ou l'entretien.

ATTENTION

Lors de toute intervention sur la soufflante, le moteur peut être suffisamment chaud pour provoquer une douleur voire une blessure. Laisser le moteur refroidir avant toute maintenance.

ATTENTION

Faire preuve de précaution dans les atmosphères explosives.

Receiving

Upon receiving the product, check to ensure all items are accounted for by referencing the delivery receipt or packing list. Inspect each crate or carton for shipping damage before accepting delivery. Alert the carrier of any damage detected. The customer will make notification of damage (or shortage of items) on the delivery receipt and all copies of the bill of lading which is countersigned by the delivering carrier. If damaged, immediately contact your Greenheck Representative. Any physical damage to the unit after acceptance is not the responsibility of Greenheck Fan Corporation.

Unpacking

Verify that all required parts and the correct quantity of each item have been received. If any items are missing, report shortages to your local representative to arrange for obtaining missing parts. Sometimes it is not possible that all items for the unit be shipped together due to availability of transportation and truck space. Confirmation of shipment(s) must be limited to only items on the bill of lading.

Note: The filtered supply unit ships with all ordered components completely factory-assembled. The optional weatherhood ships knocked down for field assembly and installation.

Storage

Fans are protected against damage during shipment. If the unit cannot be installed and operated immediately, precautions need to be taken to prevent deterioration of the unit during storage. The user assumes responsibility of the fan and accessories while in storage. The manufacturer will not be responsible for damage during storage. These suggestions are provided solely as a convenience to the user.

Indoor - The ideal environment for the storage of fans and accessories is indoors, above grade, in a low humidity atmosphere which is sealed to prevent the entry of blowing dust, rain or snow. Temperatures should be evenly maintained between 30° to 110°F (-1° to 43°C). Wide temperature swings may cause condensation and “sweating” of metal parts. All accessories must be stored indoors in a clean, dry atmosphere.

Remove any accumulations of dirt, water, ice or snow and wipe dry before moving to indoor storage. To avoid “sweating” of metal parts allow cold parts to reach room temperature. To dry parts and packages use a portable electric heater to get rid of any moisture build up. Leave coverings loose to permit air circulation and to allow for periodic inspection.

The unit should be stored at least 3½ in. (89 mm) off the floor on wooden blocks covered with moisture proof paper or polyethylene sheathing. Aisles between parts and along all walls should be provided to permit air circulation and space for inspection.

Outdoor - Fans designed for outdoor applications may be stored outdoors, if absolutely necessary. Roads or aisles for portable cranes and hauling equipment are needed.

The fan should be placed on a level surface to prevent water from leaking into the fan. The fan should be elevated on an adequate number of wooden blocks so that it is above water and snow levels and has enough blocking to prevent it from settling into soft ground. Locate parts far enough apart to permit air circulation, sunlight and space for periodic inspection. To minimize water accumulation, place all fan parts on blocking supports so that rain water will run off.

Do not cover parts with plastic film or tarps as these cause condensation of moisture from the air passing through heating and cooling cycles.

Fan propellers should be blocked to prevent spinning caused by strong winds.

Inspection & Maintenance During Storage

While in storage, inspect fans once per month. Keep a record of inspection and maintenance performed.

If moisture or dirt accumulations are found on parts, the source should be located and eliminated. At each inspection, rotate the wheel by hand ten to fifteen revolutions to distribute lubricant on motor. If paint deterioration begins, consideration should be given to touch-up or repainting. Fans with special coatings may require special techniques for touch-up or repair.

Machined parts coated with rust preventive should be restored to good condition promptly if signs of rust occur. Immediately remove the original rust preventive coating with petroleum solvent and clean with lint-free cloths. Polish any remaining rust from surface with crocus cloth or fine emery paper and oil. Do not destroy the continuity of the surfaces. Thoroughly wipe clean with Tectyl® 506 (Ashland Inc.) or the equivalent. For hard to reach internal surfaces or for occasional use, consider using Tectyl® 511M Rust Preventive, WD-40® or the equivalent.

Removing from Storage

As fans are removed from storage to be installed in their final location, they should be protected and maintained in a similar fashion until the fan equipment goes into operation.

Pre Installation Checks

- Check chart below for correct wall opening dimensions.
- Check motor voltage and amperage rating for compatibility with electrical supply. Supply wiring must be properly fused and conform to local and national codes.
- Motor load amperage must be checked and compared to nameplate rating to avoid serious damage to motor when speed is increased.

Wall Opening Requirements

Wall opening size and propeller-to-damper distance are two important dimensions for fan installation.

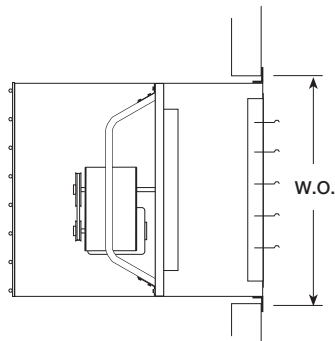


Figure 1 - Wall Housing Installation

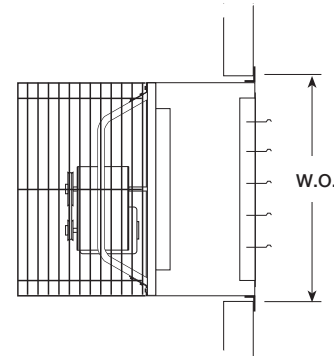


Figure 2 - Wall Collar Installation

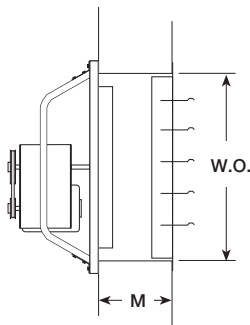


Figure 3 - Direct to Wall Installation

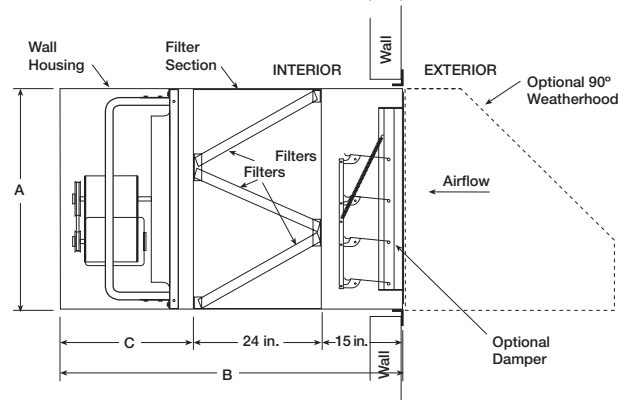


Figure 4 - Filtered Supply Wall Housing Installation

Fan Size	Damper Size Square	Recommended Wall Opening (W.O.) Square			M Minimum	Filtered Supply Wall Housing Only			
		Figures 1 and 2	Figure 3	Figure 4		A	B	C	Filter Quantity & Size
8	10 (254)	14¼ (362)	10½ (267)	-	6 (152)	-	-	-	-
10	12 (305)	16¼ (413)	12½ (318)	-	6 (152)	-	-	-	-
12	14 (356)	19¼ (489)	14½ (368)	-	7 (178)	-	-	-	-
14	16 (406)	21¼ (540)	16½ (419)	-	8 (203)	-	-	-	-
16	18 (457)	23¼ (591)	18½ (470)	-	9 (229)	-	-	-	-
18	20 (508)	25¼ (641)	20½ (521)	-	10 (254)	-	-	-	-
20	22 (559)	27¼ (692)	22½ (572)	-	12 (305)	-	-	-	-
24	26 (660)	33¼ (857)	26½ (673)	33¼ (857)	13 (330)	32¼ (819)	63 (1600)	24 (610)	4 23¼ x 16¼ (591 x 413)
30	32 (813)	39¼ (1010)	32½ (826)	39¼ (1010)	13 (330)	38¼ (972)	65 (1651)	26 (660)	4 24⅞ x 19¼ (625 x 489)
36	38 (965)	45¼ (1162)	38½ (978)	45¼ (1162)	14 (356)	44¼ (1124)	67¼ (1708)	28¼ (718)	6 23¼ x 22⅞ (591 x 562)
42	44 (1118)	51¼ (1314)	44½ (1130)	51¼ (1314)	15 (381)	50⅞ (1273)	72⅞ (1851)	34 (864)	6 24⅞ x 25⅞ (613 x 638)
48	50 (1270)	57¼ (1467)	50½ (1283)	57¼ (1467)	16 (406)	56⅞ (1426)	72⅞ (1851)	34 (864)	12 23¼ x 18¼ (591 x 476)
54	56 (1422)	63¼ (1619)	56½ (1435)	63¼ (1619)	17 (432)	62⅞ (1584)	79⅞ (2024)	40⅞ (1033)	12 23¼ x 20¼ (591 x 527)
60	62 (1575)	69¼ (1772)	62½ (1588)	-	19 (483)	-	-	-	-
72	74 (1880)	84¼ (2153)	74½ (1892)	-	19 (483)	-	-	-	-

All dimensions given in inches (millimeters). Filters are 2 inch (51 mm) nominal thickness. Above filter sizes are actual dimensions.

DANGER

Always disconnect, lock and tag power source before installing or servicing. Failure to disconnect power source can result in fire, shock or serious injury.

DANGER

Pour écarter les risques d'incendie, de choc électrique ou de blessure grave, veiller à toujours débrancher, verrouiller et étiqueter la source de courant avant l'installation ou l'entretien.

Typical Installation

Move fan to the desired location and determine the method by which the fan is to be mounted as shown in Figures 1-4 shown on page 4. Optional wall mount housings (Figure 1) and wall mount collars (Figure 2) provide a convenient means of mounting sidewall propeller fans while maintaining the proper distance between propeller and damper.

Attach the fan by inserting a suitable fastener through each of the prepunched mounting holes in the fan panel. Care should be taken not to bend or distort the fan panel or drive components during installation.

Support Braces

Wall Housing sizes 42 and larger with heavy motors and all Filtered Supply Wall Housings need additional bracing.

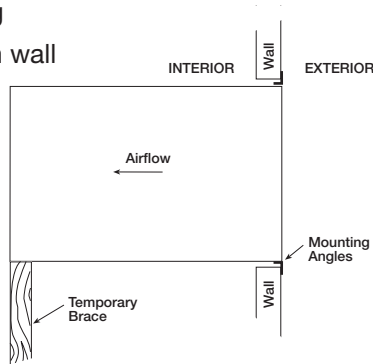
Filtered Supply Wall Housing Installation

Step 1 Install Housing

Install housing through wall opening from outside.

Temporarily brace end of unit until permanent support braces are installed.

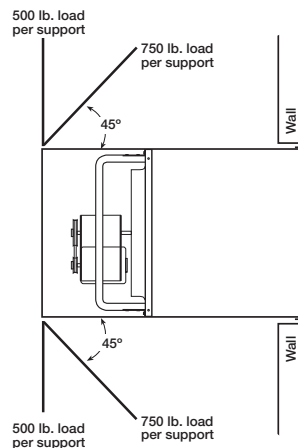
Secure through prepunched holes in angles with suitable fasteners.



Step 2 Install Support Braces

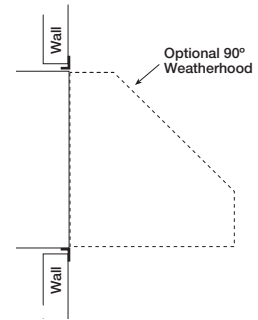
Choose method of support. Attach support to end of unit (above or below housing) with rods, cable, angle, etc. (supplied by others) as shown.

Vertical braces must carry a minimum load of 500 pounds per support, and angled (45°) braces a minimum of 750 pounds per support based on two supports.



Step 3 Install Weatherhood

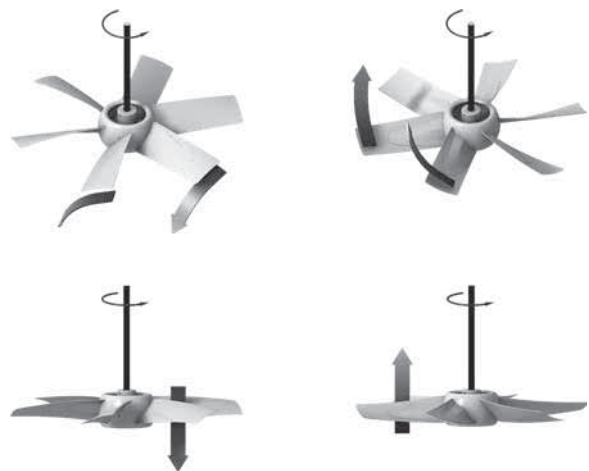
Position weatherhood over end of wall housing and fasten through mounting holes with self-tapping screws. Caulk, flash and complete electrical hook-up to finish installation.



Prestart-up Checks

Check all fasteners and setscrews for tightness. This is especially important for bearing setscrews.

The propeller should rotate freely and not rub on the fan panel venturi. Rotation direction of the propeller should be checked by momentarily turning the unit on. Propeller blade should cup and throw the air when rotating in the correct rotation as shown in the figure below. Rotation should be in the same direction as the rotation decal affixed to the unit.



For 3-phase installations, fan rotation can be reversed by simply interchanging any two of the three electrical leads. For single-phase installations follow the wiring diagram located on the motor.

For belt drive fans, the adjustable motor pulley is preset at the factory for the specified fan RPM. Fan speed can be increased by closing or decreased by opening the adjustable pulley. Two or three groove variable pitch pulleys must be adjusted an equal number of turns open. Any increase in fan speed represents a substantial increase in horsepower required from the motor. Always check motor load amperage and compare to nameplate rating when changing fan speed.

DANGER

Always disconnect, lock and tag power source before installing or servicing. Failure to disconnect power source can result in fire, shock or serious injury.

DANGER

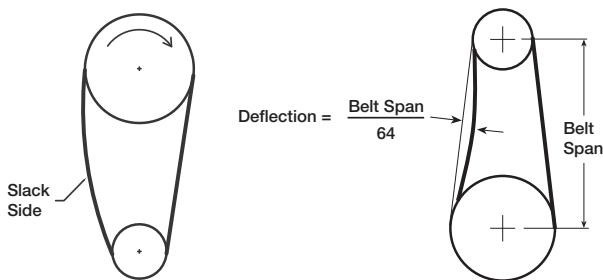
Pour écarter les risques d'incendie, de choc électrique ou de blessure grave, veiller à toujours débrancher, verrouiller et étiqueter la source de courant avant l'installation ou l'entretien.

Routine Maintenance

Once the fan has been put into operation, a periodic maintenance program should be set up to preserve the reliability and performance of the fan. Items to be included in this program are belts, bearings, fasteners and setscrews, lubrication, and removal of dust and dirt.

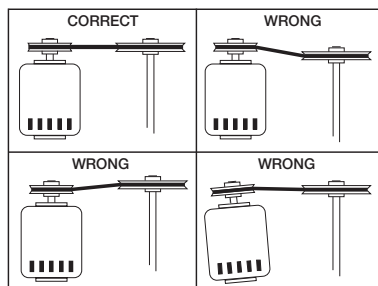
Belts

Premature belt failures are frequently caused by improper belt tension (either too tight or too loose) or misaligned pulleys. The proper tension for operating a V-belt is the lowest tension at which the belts will not slip at peak load conditions. For initial tensioning, the proper belt deflection halfway between pulley centers is 1/64 inch (0.4 mm) for each inch of belt span. For example, if the belt span is 64 inches (1626 mm), the belt deflection should be one inch (25 mm) using moderate thumb pressure at midpoint of the drive. See figure shown below.



Check belt tension two times during the first 24 hours of operation and periodically thereafter. To adjust belt tension, simply loosen four fasteners (two on each side of the motor plate) and slide the motor plate away from the fan shaft until proper belt tension is attained. On some fans, fasteners attaching the motor to the motor plate must be loosened in order to adjust the belt.

It is very important that the drive pulleys remain in proper alignment after adjustments are made. Misalignment of pulleys will result in premature belt wear, noise, vibration and power loss.



Bearings (for belt drive fans only)

Bearings are the most critical moving part of the fan and should be inspected at periodic intervals. Locking collars and setscrews, in addition to fasteners attaching the bearings to the bearing plate, must be checked for tightness. In a clean environment and temperatures above 32°F (0°C) and below 200°F (93°C), fan shaft bearings with grease fittings should be lubricated semi-annually using a high-quality lithium based grease. If unusual environmental conditions exist, temperatures below 32°F (0°C) and above 200°F (93°C), moisture or contaminants, more frequent lubrication is required.

With the unit running, add grease very slowly with a manual grease gun until a slight bead of grease forms at the seal. Be careful not to unseat the seal by over lubricating or using excessive pressure. Bearings without grease fittings are lubricated for life.

Fasteners and Setscrews

Any fan vibration has a tendency to loosen mechanical fasteners. A periodic inspection should include checking all fasteners and setscrews for tightness. Particular attention should be paid to setscrews or taper-lock bushings attaching the propeller to the motor shaft and the motor shaft to the bearings. Loose bearing setscrews will lead to premature failure of the fan shaft. In addition, check all fasteners attaching the motor to the motor plate.

Lubrication

Refer to the paragraph on bearings for bearing lubrication. Many fractional horsepower motors installed on the smaller fans are lubricated for life and require no further attention. Motors equipped with oil holes should be oiled in accordance with the manufacturer's instructions printed on the motor. Use a high grade SAE 20 machine oil and use caution not to over lubricate. Motors supplied with grease fittings should be greased according to directions printed on the motor.

Removal of Dust and Dirt

Dirt clogs cooling openings on the motor housing, contaminates bearing lubricant and collects on propeller blades causing severe imbalance if left unchecked. The exterior surface of the motor, fan panel and entire propeller should be thoroughly cleaned periodically. Use caution and do not allow water or solvents to enter the motor or bearings. Motors or bearings must not be sprayed with steam or water.

The filters also require periodic cleaning. The 2 inch (51 mm) washable aluminum filters are accessed through the bolted access panel.

Troubleshooting

WARNING

Before taking any corrective action, make certain unit is not capable of operation during repairs.

AVERTISSEMENT

Avant d'entreprendre toute action corrective, s'assurer que l'appareil ne pourra pas fonctionner durant les réparations.

PROBLEM	CAUSE	CORRECTIVE ACTION
Too much airflow	Resistance lower than designed	Decrease fan speed.
Reduced airflow	System resistance too high	Check backdraft dampers for proper operation. Remove obstructions in ductwork. Clean dirty filters. Check for adequate supply air for exhaust fans or exhaust air for supply fans.
	Fan too close to damper	Increase distance between fan and damper.
	Fan speed too low	Increase fan speed.
	Excessive dirt buildup on propeller	Clean propeller.
Excessive noise	Bearings	Tighten collars and fasteners. Lubricate bearings. Replace defective bearings.
	V-belt drive	Tighten pulleys on motor and fan shaft. Adjust belt tension. Align pulleys properly. Replace worn belts or pulleys. See Maintenance.
	Excessive vibration	Clean dirt buildup from propeller. Check all setscrews and fasteners for tightness. Check for worn bearing. Correct propeller imbalance. Check for loose dampers, guards or ductwork.
	Defective motor	Replace motor.
	Variable frequency drive (VFD)	Check VFD for drive setting, some controllers are able to be adjusted to lower the harmonic noises sometimes heard during operation by adjusting a simple setting on the controller.
	Debris	Remove all debris from the fan.
Fan does not operate	Electrical supply	Check fuses/circuit breakers. Check for switches turned off or disconnected. Check for correct supply voltage.
	Drive	Check for broken or worn belts. Tighten loose pulleys.
	Motor	Assure motor is correct horsepower and not tripping overload protector.

Maintenance Documentation

Job Information

Job Name: _____ Service Organization: _____
 Address: _____ Address: _____
 City: _____ City: _____
 State: _____ Zip: _____ State: _____ Zip: _____
 Phone: _____ Phone: _____
 Contact Person: _____ Work Done By: _____

Nameplate Information

Model: _____
 Volts: _____ Hertz: _____ Phase: _____
 Amps: _____ Mark: _____
 Supply hp: _____ Exhaust hp: _____
 Serial Number: _____
 Model Voltage: _____
 Motor Amperage: _____
 Fan RPM: _____

Field Start-Up Documentation

Actual Voltage: _____ Hertz: _____ Phase: _____
 Actual Amperage: _____
 Blower Rotation: _____
 Air Volume: Design cfm: _____
 Actual cfm: _____
 Level of fan (L or H): _____
 Fan RPM Range (min.) _____ (max.) _____

Parts List

Each fan bears a manufacturer's nameplate with model number and serial number embossed. This information will assist the local Greenheck representative and the factory in providing service and replacement parts. Before taking any corrective action, make certain unit is not capable of operation during repairs.

CAUTION

A fan manufactured with an explosion resistant motor does not certify the entire unit to be explosion proof. Refer to UL Listing Mark for the fans approved usage.

ATTENTION

La présence d'un moteur antidéflagrant sur un ventilateur ne garantit pas que tout l'appareil est antidéflagrant. Pour connaître les emplois autorisés de l'appareil, voir son marquage de conformité UL.

Parts List - Direct Drive

AER

1. Fan Panel
 2. Propeller
 3. Venturi Insert
 4. Corner Brackets (4)
 5. Drive Frame Upper Arm (2)
 6. Motor
 7. Motor Plate
 8. Drive Frame Lower Arm (2)

SE1 and SS1 (Sizes 8 thru 12 - D, G, and E motor speeds)

1. Fan Panel
 2. Propeller
 3. Drive Frame/Motor Support
 4. Motor
 5. Riser Blocks (4) - supply fan only
 6. Shaft Extension - supply fan only

SE1 and SS1 (Sizes 12 thru 24 - A, B, and C motor speeds)

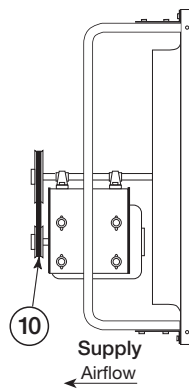
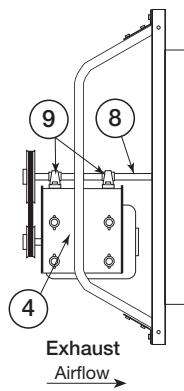
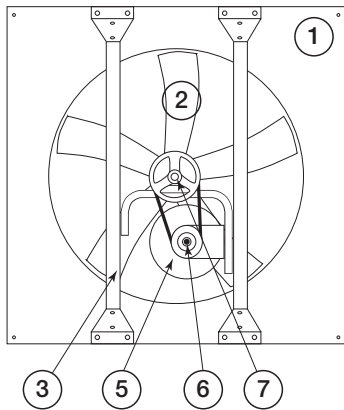
SE2 and SS2

SCE3, SCS3, and SCR3

1. Fan Panel
 2. Propeller
 3. Drive Frame Channels (2)
 4. Motor Plate
 5. Motor

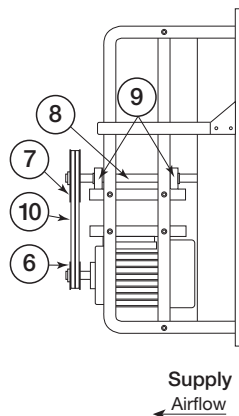
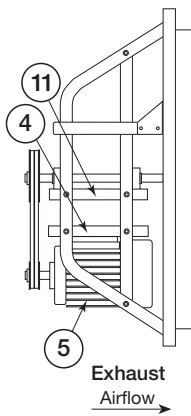
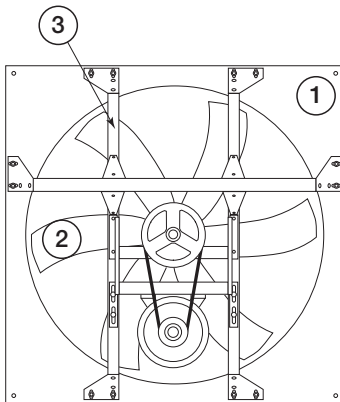
Parts List - Belt Drive

SBE-1, SBS-1, SBE-2 and SBS-2 (L and H propellers)



1. Fan Panel
2. Propeller
3. Drive Frame Channel (2)
4. Motor/Bearing Plate
5. Motor
6. Motor Pulley
7. Shaft Pulley
8. Fan Shaft
9. Bearings (2)
10. Belt

SBE-3, SBS-3, SBCE, SBCE, and SBCR (L and H propellers)



1. Fan Panel
2. Propeller
3. Drive Frame Channel (2)
4. Motor Plate
5. Motor
6. Motor Pulley
7. Shaft Pulley
8. Fan Shaft
9. Bearings (2)
10. Belt
11. Bearing Plate

Maintenance Log

Date _____ Time _____ AM/PM

Notes: _____

Date _____ Time _____ AM/PM

Notes: _____

Date _____ Time _____ AM/PM

Notes: _____

Date _____ Time _____ AM/PM

Notes: _____

Date _____ Time _____ AM/PM

Notes: _____

Date _____ Time _____ AM/PM

Notes: _____

Date _____ Time _____ AM/PM

Notes: _____

Date _____ Time _____ AM/PM

Notes: _____

Our Commitment

As a result of our commitment to continuous improvement, Greenheck reserves the right to change specifications without notice.

Product warranties can be found online at Greenheck.com, either on the specific product page or in the literature section of the website at Greenheck.com/Resources/Library/Literature.

Greenheck's Sidewall Propeller Fans catalog provides additional information describing the equipment, fan performance, available accessories, and specification data.

AMCA Publication 410-96, Safety Practices for Users and Installers of Industrial and Commercial Fans, provides additional safety information. This publication can be obtained from AMCA International, Inc. at www.amca.org.



سجل الصيانة

التاريخ _____ الوقت _____ صباحًا/مساءً _____
ملاحظات: _____

التاريخ _____ الوقت _____ صباحًا/مساءً _____
ملاحظات: _____

التاريخ _____ الوقت _____ صباحًا/مساءً _____
ملاحظات: _____

التاريخ _____ الوقت _____ صباحًا/مساءً _____
ملاحظات: _____

التاريخ _____ الوقت _____ صباحًا/مساءً _____
ملاحظات: _____

التاريخ _____ الوقت _____ صباحًا/مساءً _____
ملاحظات: _____

التاريخ _____ الوقت _____ صباحًا/مساءً _____
ملاحظات: _____

التزامنا

نتيجة لالتزامنا الدائم بمواصلة التطوير، تحتفظ Greenheck بحقها في تبديل المواصفات دون إشعار مسبق. توجد ضمانات محددة لمنتجات Greenheck على الموقع الإلكتروني greenheck.com، وذلك من خلال علامات التبويب لمنطقة المنتج وأيضًا في المكتبة أسفل الضمانات.

منشور AMCA رقم 96-410، يوضح ممارسات السلامة الخاصة بالمستخدمين وفنيي التركيب للمراوح التجارية والصناعية وأيضًا معلومات إضافية تتعلق بالسلامة. بالإمكان الحصول على المنشور من شركة AMCA العالمية على الموقع www.amca.org.

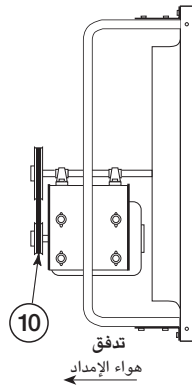
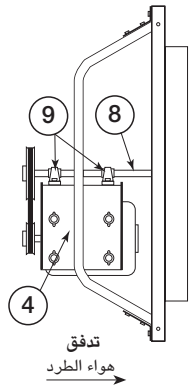
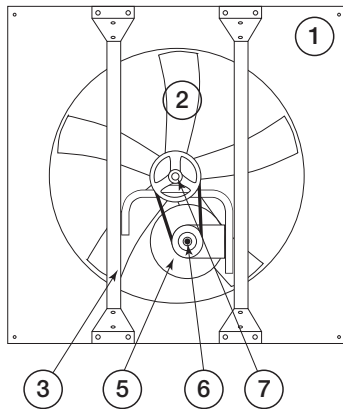
يوفر كتالوج مراوح الدفع للجدران الجانبية من Greenheck معلومات إضافية تعطي وصفًا للتجهيز وأداء المروحة والملحقات المتوفرة وبيانات المواصفات.



هاتف: 715.359.6171 • فاكس: 715.355.2399 • قطع الغيار: 800.355.5354 • البريد الإلكتروني: gfcinfo@greenheck.com • الموقع الإلكتروني: www.greenheck.com

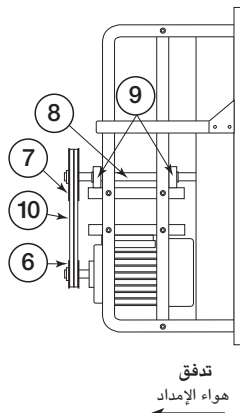
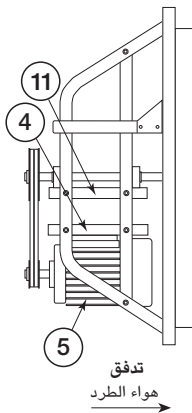
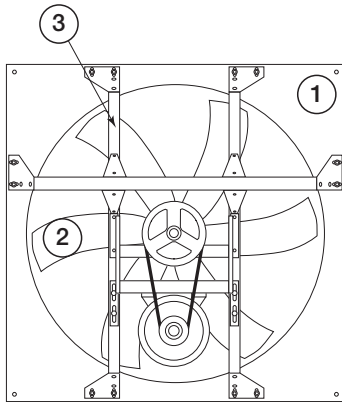
قائمة الأجزاء - التشغيل بالسير

SBS-1 و SBE-2 و SBS-2 و SBCE (وحدات الدفع L و H)



1. لوحة المروحة
2. وحدة الدفع
3. قناة وحدة الدفع (2)
4. المحرك / لوحة المحمل
5. المحرك
6. بكرة المحرك
7. بكرة عمود الدوران
8. عمود دوران المروحة
9. المحامل (2)
10. السير

SBS-3 و SBCE و SBCE و SBCE و SBCE (وحدات الدفع L و H)



1. لوحة المروحة
2. وحدة الدفع
3. قناة وحدة الدفع (2)
4. لوحة المحرك
5. المحرك
6. بكرة المحرك
7. بكرة عمود الدوران
8. عمود دوران المروحة
9. المحامل (2)
10. السير
11. لوحة المحمل

كل مروحة تحمل لوحة صنع محفور عليها اسم الجهة المصنعة مع رقم الطراز والرقم التسلسلي. وسوف تساعد هذه المعلومات المصنع وممثلي شركة Greenheck في توفير الخدمة وقطع الغيار. قبل اتخاذ أي إجراءات تصحيحية، اجعل الوحدة المعنية غير قادرة على العمل أثناء التصليح.

ATTENTION

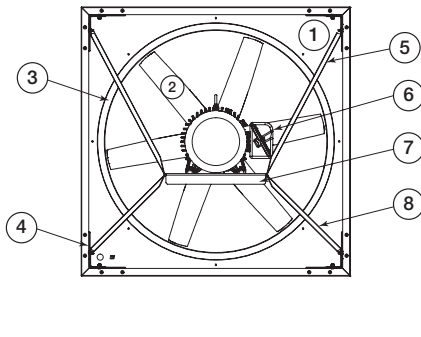
La présence d'un moteur antidéflagrant sur un ventilateur ne garantit pas que tout l'appareil est antidéflagrant. Pour connaître les emplois autorisés de l'appareil, voir son marquage de conformité UL.

تنبيه

المروحة المصنعة بمحرك مقاوم للانفجار لا تعني ضمان مقاومة الوحدة بالكامل للانفجار. ارجع إلى علامة الترخيص UL بالنسبة للاستخدام المعتمد للمراوح.

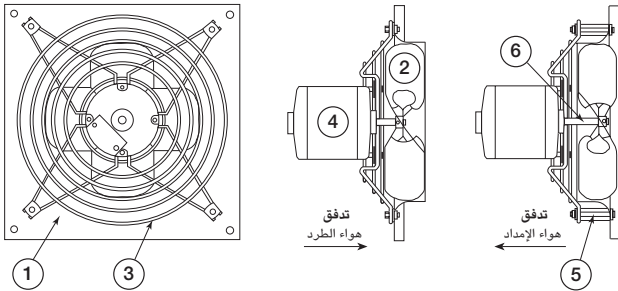
قائمة الأجزاء - التشغيل المباشر

AER



1. لوحة المروحة
2. وحدة الدفع
3. حشوة الخانق
4. دعائم ركنية (4)
5. الذراع العلوي لإطار التشغيل (2)
6. المحرك
7. صفيحة المحرك
8. الذراع السفلي لإطار التشغيل (2)

SE1 و SS1 (المقاسات من 8 إلى 12 - سرعات المحركات D و G و E)

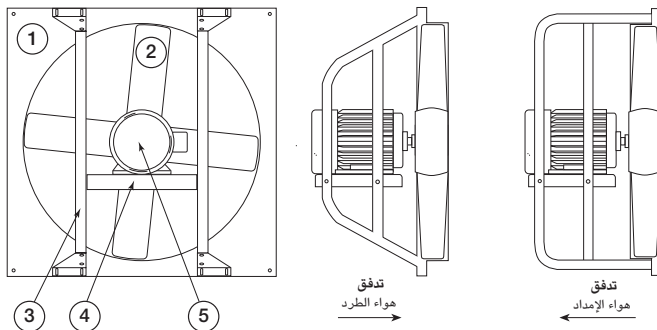


1. لوحة المروحة
2. وحدة الدفع
3. إطار وحدة الدفع / دعامة المحرك
4. المحرك
5. قطع الرفع (4) - مروحة الإمداد فقط
6. وصلة عمود الدوران مروحة الإمداد فقط

SE1 و SS1 (المقاسات من 12 إلى 24 - سرعات المحركات A و B و C)

SE2 و SS2

SCE3 و SCS3 و SCR3



1. لوحة المروحة
2. وحدة الدفع
3. قناة وحدة الدفع (2)
4. لوحة المحرك
5. المحرك

AVERTISSEMENT

Avant d'entreprendre toute action corrective, s'assurer que l'appareil ne pourra pas fonctionner durant les réparations.

تحذير

قبل اتخاذ أي إجراءات تصحيحية، اجعل الوحدة المعنية غير قادرة على العمل أثناء التصليح.

المشكلة	السبب	الإجراء التصحيحي
تدفق الهواء كثيف للغاية	المقاومة أقل مما هو محدد	قم بتقليل سرعة المروحة.
انخفاض تدفق الهواء	مقاومة النظام مرتفعة للغاية	تفحص مخامد الغاز الدخاني للتأكد من أنها تعمل بالشكل الصحيح. قم بإزالة العوائق الموجودة في الأنابيب. قم بتنظيف الفلاتر المتسخة. افحص للتحقق من كفاية الهواء الذي يتم توفيره لمراوح الطرد أو كفاية هواء الطرد لمراوح الإمداد.
	المروحة قريبة للغاية من المخمد	قم بزيادة المسافة بين المروحة وبين المخمد.
	سرعة المروحة منخفضة للغاية	قم بزيادة سرعة المروحة.
	أوساخ متراكمة بشكل مفرط على وحدات الدفع	نظف وحدة الدفع.
ضوضاء مفرطة	المحامل	اربط الحلقات المعدنية والمثبتات. قم بتشحيم المحامل. قم باستبدال المحامل التالفة.
	التشغيل بالسير على شكل V	اربط البكرات على عمود دوران المحرك والمروحة. اضبط درجة شد السير. قم بمحاذاة البكر بشكل صحيح. قم باستبدال السيور أو البكرات التالفة. ارجع إلى الصيانة.
	الاهتزاز الشديد الزائد عن الحد	قم بتنظيف الأوساخ المتراكمة من على وحدات الدفع. تفحص كل المثبتات صواميل التعديل والمثبتات للتأكد من أنها محكمة. افحص المحامل بحثًا عن المحامل التالفة. قم بتصحيح عدم التوازن في وحدة الدفع. تفحص المخامد بحثًا عن مخامد أو واقبات أو أنابيب سائبة.
	المحرك به مشكلة	استبدل المحرك.
	وحدة دفع متغيرة التردد (VFD)	افحص وحدة الدفع متغيرة التردد (VFD) للتعرف على إعداد وحدة الدفع، يمكن تعديل بعض وحدات التحكم من أجل تقليل الضوضاء الناجمة عن التناسق التي يتم سماعها في بعض الأوقات أثناء التشغيل من خلال ضبط إعداد بسيط في وحدة التحكم.
	الرواسب	قم بإزالة كل الرواسب من على المروحة.
المروحة لا تعمل	إمداد الطاقة الكهربائية	افحص الفيوزات / قواطع الدائرة. ابحث عن المفاتيح التي تم إيقاف تشغيل أو فصلها. تحقق من جهد الإمداد الصحيح.
	وحدة الدفع	ابحث عن سيور ممزقة أو بالية. اربط البكر السائب.
	المحرك	تحقق من أن المحرك له القدرة الحصانية الصحيحة، ولا يؤدي إلى تعطيل واقي الحمولة الزائدة.

توثيق الصيانة

معلومات الوظيفة

اسم الوظيفة: _____ مؤسسة الخدمة: _____
العنوان: _____ العنوان: _____
المدنية: _____ المدينة: _____
الدولة: _____ الدولة: _____ الرمز البريدي: _____ الرمز البريدي: _____
هاتف: _____ هاتف: _____
جهة الاتصال: _____ القائم على العمل: _____

معلومات لوحة الصنع

الطراز: _____ وثائق بدء التشغيل في الموقع
فولت: _____ هرتز: _____ الطور: _____ الجهد الفعلي: _____
الأمبير: _____ العلامة: _____ قوة الأمبير الفعلية: _____
القوة الحصانية للإمداد: _____ القوة الحصانية للعادم: _____ دوران نفخ الهواء: _____
رقم التسلسل: _____ حجم الهواء: _____ قدم مكعب في الدقيقة بحسب التصميم: _____
جهد الطراز: _____ قدم مكعب في الدقيقة فعليًا: _____
قوة الأمبير للمحرك: _____ مستوى المروحة (L أو H): _____
عدد لفات المروحة بالدقيقة: _____ نطاق عدد لفات المروحة في الدقيقة (حد أدنى)(حد أقصى)

المحامل (للمراوح التي تعمل بالتشغيل بالسير فقط)

تعد المحامل هي الجزء المتحرك الأكثر أهمية في المروحة، ويجب أن يتم فحصها على فواصل زمنية منتظمة. كما يجب أن يتم التحقق من إحكام ربط الحلقات المعدنية وصواميل التعديل المستخدمة للربط، بالإضافة إلى المثبتات التي تربط المحامل بلوحة التحميل. في البيئات النظيفة ودرجات الحرارة التي تتجاوز 32 درجة فهرنهايت (صفر مئوية) والأقل من 200 درجة فهرنهايت (93 مئوية)، يجب أن يتم تشحيم محامل عمود دوران المروحة المزودة بتركيبات يتم تشحيمها كل 6 أشهر باستخدام شحم عالي الجودة معتمد على الليثيوم. في حالات الظروف البيئية غير المعتادة وانخفاض درجة الحرارة عن 32 درجة فهرنهايت (صفر مئوية) وارتفاعها عن 200 درجة فهرنهايت (93 درجة مئوية)، وفي حالات الرطوبة أو انتشار الملوثات، يجب أن يتم التشحيم بشكل أكثر تكراراً.

أثناء تشغيل الوحدة، قم بإضافة الشحم ببطء باستخدام سدس شحم يدوي إلى أن تتكون كرة صغيرة من الشحم عند القفل. يجب توخي الحذر لكي لا يتم نقل القفل بسبب التشحيم الزائد عن الحد أو بسبب استخدام الضغط الزائد عن الحد. يتم تشحيم المحامل التي لا تحتوي على تركيبات تحتاج إلى تشحيم بحيث لا تحتاج إلى تشحيمها مرة أخرى طوال الحياة.

المثبتات وصواميل التعديل

يمكن أن يؤدي أي اهتزاز في المروحة إلى فك المثبتات الميكانيكية. ويجب أن يشتمل الفحص الدوري على فحص كل المثبتات وصواميل التعديل للتأكد من أنها محكمة الربط. يجب توخي الحذر بشكل إضافي لصواميل التعديل أو البطانات المعدنية للقفل المغزلي التي تستخدم لتوصيل وحدة الدفع بعمود دوران المحرك وعمود دوران المحرك بالمحامل. تؤدي صواميل التعديل السائبة إلى تلف عمود دوران المروحة قبل الأوان. بالإضافة إلى ذلك، قم بفحص كل المثبتات التي تستخدم لتوصيل المحرك بلوحة المحرك.

التشحيم

ارجع إلى الفقرة التي تتعلق بالمحامل للتعرف على كيفية تشحيم المحامل. يتم تشحيم العديد من المحركات التي تقل قدرتها عن حصان واحد والتي يتم تركيبها على المراوح الأصغر حجمًا بحيث لا تحتاج إلى التشحيم طوال الحياة، وبالتالي فإنها لا تحتاج إلى أي عناية بها بعد ذلك. يجب أن يتم تزييت المحركات التي تحتوي على فتحات زيت بما يتوافق مع تعليمات الجهة المصنعة المطبوعة على المحرك. استخدم زيت ماكينات من نوع SAE 20 عالي الدرجة وتوخ الحذر كل لا تقوم بتشحيم المكونات بشكل زائد عن الحد. ينبغي تشحيم المحركات المزودة بتركيبات قابلة للتشحيم وفقاً لتوجيهات الجهة المصنعة المطبوعة على المحرك.

التخلص من الأتربة والقاذورات

تؤدي القاذورات إلى سد فتحات التبريد الموجودة في مبيت المحرك، كما تؤدي إلى تلوين مادة تشحيم المحامل، كما أنها تتراكم على أنصال وحدة الدفع، مما يؤدي إلى حدوث عدم توازن حاد إذا تركت تلك القاذورات بدون فحصها والتخلص منها. يجب أن يتم تنظيف السطح الخارجي للمحرك ولوحة المروحة ووحدة الدفع بالكامل بشكل شامل دورياً. توخ الحذر ولا تتسمح بدخول المياه أو المواد المذيبة إلى المحرك أو إلى المحامل. يجب ألا يتم رش البخار أو المياه على المحركات أو المحامل.

كما يجب تنظيف الفلاتر كذلك بشكل دوري. يمكن الوصول إلى فلاتر الألومنيوم القابلة للغسل لعمق 51 (م) من خلال اللوحة المثبتة بالمسامير.

خطر

قم دائماً بفصل وقفل وربط المصدر الكهربائي قبل التركيب أو الصيانة. الإخفاق في فصل مصدر الطاقة قد يتسبب في حريق أو صدمة أو إصابة خطيرة.

DANGER

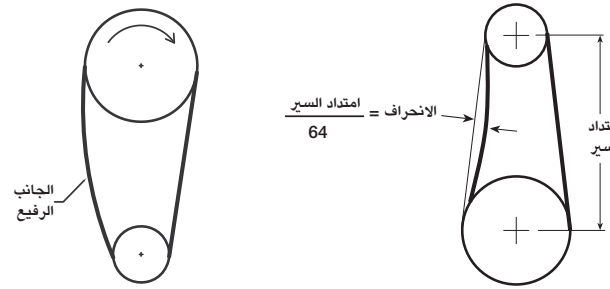
Pour écarter les risques d'incendie, de choc électrique ou de blessure grave, veiller à toujours débrancher, verrouiller et étiqueter la source de courant avant l'installation ou l'entretien.

الصيانة الروتينية

بمجرد أن يبدأ تشغيل المروحة، يجب أن يتم وضع برنامج للصيانة الدورية من أجل الحفاظ على مدى الاعتمادية على المروحة والأداء الذي يمكن الحصول عليه منها. وتشتمل العناصر التي يجب تضمينها في هذا البرنامج على السيور والمحامل والمثبتات وصواميل التعديل والتشحيم وإزالة الأتربة والرواسب.

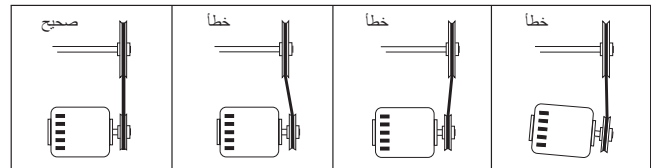
السيور

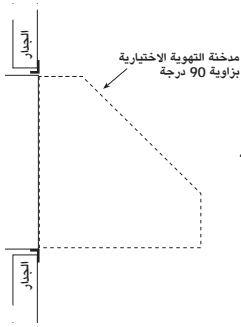
ينجم التلف المبكر عن الأوان للسيور عن الشد غير الصحيح للسيور (سواءً إذا كانت مشدودة بشكل زائد عن الحد أو سائبة بشكل زائد عن الحد) أو بسبب عدم محاذاة البكر. ومستوى الشد المناسب لتشغيل السيور على شكل حرف V هو إعداد الشد الأدنى الذي لا تنزلق عنده السيور في ظروف الحمل في حالات الذروة. لشد السيد بشكل مبدئي، يجب أن يكون انحراف السير الصحيح بين مراكز البكرتين بمقدار 1/64 بوصة (0.4 مم) للبوصة الواحدة من امتداد السير. على سبيل المثال، إذا كان امتداد السير 64 بوصة (1626 مم)، يجب أن يكون انحراف السير بوصة واحدة (25 مم) باستخدام ضغط متوسط الإبهام على نقطة متوسطة في وحدة الدفع. انظر الشكل الموضح أدناه.



افحص شد السيور مرتين أثناء أول 24 ساعة من التشغيل، وعلى فترات دورية بعد ذلك. لضبط شد السيور، قم بكل بساطة بإرخاء المثبتات الأربعة (اثنين على كل جانب من جانبي لوحة المحرك) وقم بإزلاق لوحة المحرك بعيداً عن عمود دوران المروحة إلى أن يتم الوصول إلى الشد المناسب للسيور. في بعض المراوح، يجب أن يتم إرخاء المثبتات التي تستخدم لتوصيل المحرك بلوحة المحرك من أجل ضبط السيور.

من الضروري للغاية أن يتم الحفاظ على محاذاة بكرات وحدة الدفع بعد إجراء التعديلات. يؤدي انحراف البكرات عن مكانها الصحيح إلى اهتزاز السير قبل أوانه والاهتزاز والضوضاء وضباب الطاقة على نحو مفرط.

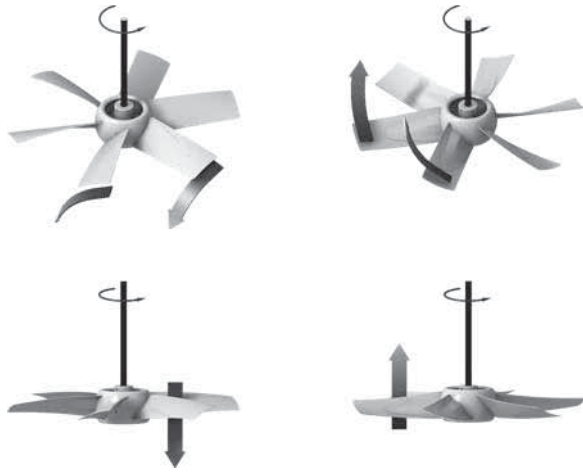




الخطوة 3 قم بتركيب مدخنة التهوية
ضع مدخنة التهوية فوق طرف مبيت الجدار
واربطه من خلال فتحات التركيب باستخدام
البراغي ذاتية الثقب. قد بإنهاء عمليات السد
واللحام وأكمل التوصيل بالخطاف لإنهاء التركيب.

فحوصات ما قبل التشغيل

تفحص كل المثبتات وصواميل التعديل للتأكد من أنها محكمة. ويكون ذلك
مهماً على وجه الخصوص لصواميل تعديل المحامل.
يجب أن تكون وحدة الدفع تدور بحرية وألا تحتك بعنق خانق لوحة المروحة.
ويجب أن يتم فحص اتجاه الدوران لوحدة الدفع من خلال تشغيل الوحدة لفترة
وجيزة. يجب أن تقوم وحدة الدفع بتشكيل ودفع الهواء عند الدوران في الاتجاه
الصحيح كما هو موضح في الشكل أدناه. ويجب أن يكون الدوران في نفس
اتجاه ملصق التدوير الموجود على الوحدة.



بالنسبة لعمليات التركيب ثلاثية الأطوار، يمكن أن يتم عكس اتجاه حركة
دوران المروحة من خلال تبديل أي سلكين من الأسلاك الكهربائية الثلاثة، بكل
بساطة. بالنسبة لعمليات التركيب أحادية الأطوار، اتبع مخطط توصيل
الأسلاك الموجود على المحرك.

بالنسبة للمراوح التي يتم تشغيلها بالسيور، يتم ضبط بكرة المحرك القابلة
للضبط بشكل مسبق في المصنع للوصول إلى عدد اللفات المحدد في الدقيقة.
يمكن رفع سرعة المروحة أو خفضها عن طريق إغلاق أو فتح مجرى البكرة
القابلة للتعديل. يجب أن تضبط بكرتان محزرتان أو ثلاث بكرات محزرة
بمستوى متغير لتتوافق مع نفس عدد مرات الفتح. أي زيادة في سرعة
المروحة يعني زيادة كبيرة في القدرة الحصانية المطلوبة من المحرك. افحص
دائمًا أمبيرية حمولة المحرك وقارنها بتصنيف لوحة الصنع عند تغيير سرعة
المروحة.

خطر

قم دائماً بفصل وقفل وربط المصدر الكهربائي قبل التركيب أو الصيانة.
الإخفاق في فصل مصدر الطاقة قد يتسبب في حريق أو صدمة أو إصابة
خطيرة.

DANGER

Pour écarter les risques d'incendie, de choc électrique
ou de blessure grave, veiller à toujours débrancher,
verrouiller et étiqueter la source de courant avant
l'installation ou l'entretien.

التركيب النموذجي

حرك المروحة إلى الموقع المرغوب فيه، وقرر الطريقة التي يتم تركيب
المروحة بها كما هو موضح في الأشكال من 1 إلى 4 والموضحة في الصفحة
4. توفر مبيت التركيب الاختيارية على الجدار (الشكل 1) والحلقات المعدنية
لتركيب على الجدار (الشكل 2) وسائل مناسبة لتركيب مراوح الدفع للجدران
الجانبية مع الحفاظ على المسافة المناسبة بين وحدة الدفع والمخمد.

قم بتوصيل المروحة من خلال تركيب مثبت مناسب من خلال كل فتحة من
فتحات التركيب مسبقة الثقب في لوحة المروحة. يجب توخي الحذر لكي لا يتم
ثني أو تشويه لوحة المروحة أو مكونات وحدة الدفع أثناء التركيب.

حملات الدعم

تحتاج المراوح مقاس 42 والأكبر والتي يتم تركيبها على الجدار والتي تحتوي
على محركات ثقيلة ومبيت جدار ذات إمداد مرشح بشكل كامل إلى المزيد من
الحملات والدعم.

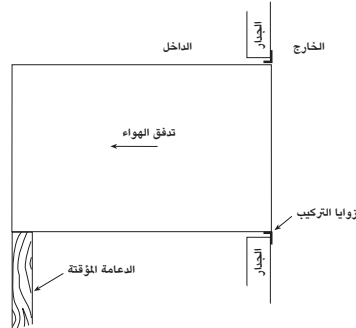
تركيب مبيت الجدار ذات الإمداد المرشح

الخطوة 1 تركيب المبيت

قم بتركيب المبيت من خلال
فتحة الجدار من الخارج.

قم بدعم طرف نهاية الوحدة
بشكل مؤقت إلى أن يتم تركيب
حملات الدعم الدائمة.

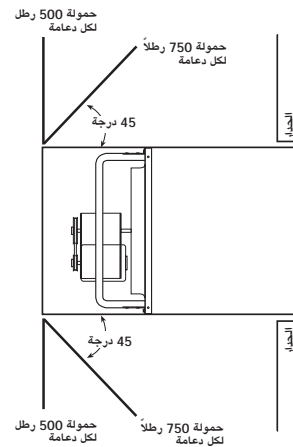
قم بتنبيهها من خلال الثقب
مسبقة الثقب في الزوايا من
خلال استخدام المثبتات
المناسبة.



الخطوة 2 تركيب حملات الدعم

اختر طريقة الدعم. قم بتوصيل الدعامة
بطرف نهاية الوحدة (فوق أو تحت
المبيت) باستخدام القضبان أو الكابلات
أو الزوايا أو ما إلى ذلك (والتي يتم
توفيرها من خلال الآخرين) كما هو
موضح.

يجب أن تحمل الدعامة الرأسية
حمولة حدها الأدنى 500 رطل لكل
دعامة، بينما تحمل الحوامل ذات
الزاوية (45 درجة) 750 رطلاً لكل
دعامة كحد أدنى على دعامتين.



خارجياً - في حالة الضرورة القصوى يمكن للمراوح المصممة للاستخدامات

الخارجية أن يتم تخزينها في الخارج. يجب توفير طرق أو ممرات لدخول الرافعات ومعدات السحب المتحركة.

يجب وضع المروحة على سطح مستوي لمنع تسرب الماء إلى المروحة. يجب أن يتم رفع المروحة على عدد كافٍ من القوالب الخشبية لتبقى أعلى

من مستوى الماء والثلج ولتتمتع نزول المروحة في أرضية رخوة. قم بإبقاء الأجزاء متباعدة بما يكفي لتدوير الهواء وضوء الشمس وبحيث يكون هناك مسافة تسمح بالمعاينة الدورية. لتقلل من تراكم الماء ركز كافة أجزاء المروحة على دعائم مانعة حتى تمر مياه الأمطار بعيداً عنها.

لا تقم بتغطية الأجزاء بأغطية بلاستيكية أو بالأقمشة ذلك يسبب تكثف رطوبة الهواء المار عبر دورات التبريد والتسخين.

يجب إقفال وحدات دفع المروحة لمنع دورانها بتأثير الرياح القوية.

الفحص والصيانة خلال فترة التخزين

قم بتفحص المراوح مرة كل شهر خلال فترة التخزين. احتفظ بسجل لعمليات الصيانة والفحص التي تم إجراؤها.

في حال تم العثور على تراكمات للأوساخ أو الرطوبة يجب تحديد المصدر وإزالته. قم بتدوير الطارة يدوياً من عشر مرات حتى خمس عشرة مرة في كل عملية فحص، لكي تتوزع مواد التشحيم والتزييت على المحرك. إذا بدأ يظهر على الطلاء الخارجي التلف يجب الأخذ بعين الاعتبار إجراء بعض الروتوش أو إعادة الطلاء. تتطلب بعض المراوح ذات الطبقة الخارجية الخاصة تقنيات خاصة لعملية إجراء الروتوش أو التصليح.

في حال وجود أثر للصدأ في الأجزاء المتحركة المكسوة بمانع للصدأ، ينبغي إعادتها إلى حالة جيدة بسرعة. قم على الفور بإزالة الطبقة الأصلية المانعة للصدأ باستخدام المذيبات البترولية ثم قم بالتنظيف باستخدام قطعة قماش خالية من الوبر. قم بحك بقايا الصدأ عن السطح باستخدام ثوب ناعم أو ورق الصنفرة الناعم والزيت. لا تتلف استمرارية الأسطح. قم بالتنظيف باستخدام Tectyl® 506 (Ashland Inc.) أو ما يعادله. إذا وجدت صعوبة في الوصول إلى الأسطح الداخلية أو في حالة الاستخدام المتقطع يمكنك استخدام Tectyl® 511M المانعة للصدأ، أو WD-40® أو ما يكافئ ذلك.

عملية الإخراج من التخزين

حالما تخرج المراوح من التخزين لكي يتم تركيبها في موقعها النهائي يجب أن تبقى محمية ومحفوظة بنفس الطريقة لحين تشغيل المروحة.

عند تلقي الجهاز، افحصه للتحقق من سرد جميع العناصر من خلال الرجوع إلى إيصال التسليم أو قائمة التعبئة. قم بتفحص كل صندوق أو كرتونة شحن قبل الموافقة على الاستلام لتتأكد من عدم وجود تلف حدث أثناء الشحن. قم بتبنييه شركة النقل بأي أضرار يتم اكتشافها. يقوم العميل بتسجيل إشعار بالتلف (أو نقص العناصر) على إيصال التسليم وكل نسخ فاتورة الشحن التي تصدق عليها شركة الشحن بالتوقيع عليها. في حالة وجود تلف، اتصل على الفور بمندوب Greenheck الذي تتعامل معه. إن شركة Greenheck Fan ليست مسؤولة عن أي ضرر يحدث في الوحدة بعد قبول الاستلام.

التفريغ

تأكد من استلام جميع الأجزاء الضرورية لكل عنصر تم استلامه. في حالة نقص أي عنصر، قم بإبلاغ ممثل الشركة المحلي بذلك لترتيب توريد الأجزاء الناقصة. قد لا يكون شحن كافة عناصر الوحدة دفعةً واحدة أمراً متاحاً بسبب أمور تتعلق بتوفر وسيلة النقل ومساحة الشاحنة. يجب أن يكون تأكيد عملية (عمليات) الشحن مقصوراً فقط على العناصر المدونة ببوليصة الشحن.

ملاحظة: يتم شحن وحدة الإمداد المرشح مع جميع كل المكونات المطلوبة في المصنع. ويتم شحن مدخنة التهوية الاختيارية مفككة من أجل تجميعها وتركيبها في الموقع.

التخزين

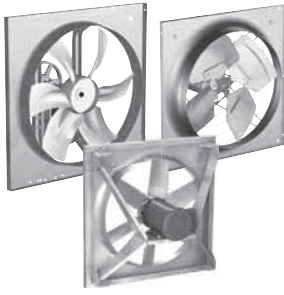
تم حماية المراوح من التلف أثناء عملية الشحن. في حال عدم التمكن من تركيب أو تشغيل الوحدة على الفور، يجب أخذ الاحتياطات والحذر للحيلولة دون تلف الوحدة خلال التخزين. يتحمل المستخدم مسؤولية الحفاظ على المروحة وملحقاتها خلال فترة التخزين. لن تتحمل الجهة المصنعة مسؤولية أي تلف يلحق بالوحدة خلال فترة التخزين. هذه الاقتراحات مقدمة فقط كوسيلة لتسهيل للمستخدم.

داخلياً - البيئة المثالية لتخزين المراوح وملحقاتها تكون في أماكن مغلقة، على أرضية مرتفعة وبمستوى رطوبة جوية منخفضة وفي مكان معزول لمنع دخول الغبار والمطر أو الثلج. يجب أن يتم الحفاظ على اتساق درجات الحرارة بين 30 إلى 110 درجة فهرنهايت (1- إلى 43 درجة مئوية). فالتغيرات الشديدة في درجات الحرارة يمكن أن تسبب التكاثف و"تعرق" المكونات المعدنية. يجب أن تخزن كافة الملحقات في الداخل وفي جو جاف ونظيف.

قم بإزالة أي تراكمات للأوساخ والماء والجليد والثلج ثم امسحها لتجفيفها قبل نقلها للتخزين الداخلي. لكي تتفادى "تعرق" الأجزاء المعدنية دع الأجزاء الباردة تصل لدرجة حرارة الغرفة. لكي تجفف الأجزاء والمحتويات قم باستخدام سخان كهربائي متنقل لتتخلص من أي تراكم للرطوبة. اترك الأغشية مفككة بعض الشيء للسماح بتدوير الهواء وأيضاً للسماح بالمعاينة الدورية.

يجب أن تخزن الوحدة بمسافة لا يقل ارتفاعها عن 3 1/2 بوصة (89 مم) فوق الأرضية وأن توضع على قوالب خشبية مغطاة بالورق المانع للرطوبة أو الألواح الخشبية المغطاة بالبولي إيثيلين. يجب توفير ممرات بين الأجزاء وعلى طول الجدران للسماح بتدوير الهواء ولإبقاء متسع من أجل المعاينة.

مراوح الدفع للجدران الجانبية



يعد خط منتجات مراوح الدفع للجدران الجانبية من Greenheck الخيار المثالي لتطبيقات المصانع والمستودعات حيث يكون مطلوبًا مقادير عالية من الهواء بالإضافة إلى ضغط منخفض. فمن التهوية العامة إلى المهام الصناعية، تتيح مجموعة قدرات الإنشاءات والأداء التي يتم توفيرها خط منتجات مراوح الدفع للجدران الجانبية الأكثر شمولية في هذا المجال.

ويغطي الأداء النطاق بين 250 إلى 87,000 قدم مكعب في الدقيقة (425 إلى 147,814 م³/الساعة) مع ضغط ثابت يصل إلى 2.45 بوصة بمقياس منسوب الماء (610 باسكال). تتراوح مقاسات المراوح بين 8 إلى 60 بوصة (203 إلى 1524 مم) للتشغيل المباشر و20 إلى 72 بوصة (508 إلى 1829 مم) للتشغيل بالسير. بغض النظر عن مقياس المروحة أو أداؤها أو مستوى الخدمة الذي توفره، يتم بناء كل مراوح الدفع للجدران الجانبية من Greenheck لكل تعمل بنفس معايير الاعتمادية والتحمل العالية. وكل الموديلات متاحة بحيث يمكن تركيبها للطرود أو لإمداد الهواء.

الموديلات AER و SE1 و SE2 و SS1 و SS2 و SCE3 و SCS3 و SCR3 و SBE-1 و SBS-1 و SBE-2 و SBCR و SBS-2 و SBS-3 و SBE-3 و SBCE و SBCE و SBS-3 و SBCS و SBCR.

الإمداد المرشح



تتاح مبابيت الجدار للإمداد المرشح بسبعة مقاسات للمراوح التي تتراوح مقاساتها بين 24 و54 بوصة (610 إلى 1372 مم). ويتم تصميمها بمفهوم السحب للوصول إلى أعلى مستويات التصفية والتهوية. يمكن الوصول إلى الفلاتر القابلة للغسل الدائمة مقياس بوصتين (51 مم) من خلال لوحة مثبتة بمسامير ويمكن إزالتها بسهولة من أجل التنظيف.

معلومات السلامة العامة

يجب أن يقوم بتركيب المروحة شخص متخصص فقط. يجب على الشخص الذي سيقوم بالتركيب أن يستوعب الإرشادات بوضوح وأن يكون على دراية باحتياطات السلامة العامة. يمكن أن ينتج عن التركيب غير الصحيح حدوث إصابة أو صدمة كهربائية مع احتمال مخاطر أخرى نتيجة ملامسة الأجزاء المتحركة. قد يتطلب الأمر أخذ اعتبارات أخرى في حال وجود رياح شديدة أو نشاط زلزالي. إذا احتجت مزيدًا من المعلومات قم بالاتصال بمهندس متخصص معتمد قبل اتخاذ أي خطوة.

1. قم باتباع قوانين الكهرباء المحلية والسلامة وأيضًا قانسون الكهرباء الوطنية (NEC) والوكالة الوطنية للحماية من الحرائق (NFPA)، طالما أمكن ذلك. قم باتباع قانون الكهرباء الكندية (CEC) المطبق في كندا.
2. دوران وحدة الدفع مسألة حساسة. لذلك يجب أن تكون حرة لتدور دون أن تصطدم أو تحتك بأحد الأجزاء الثابتة.
3. يجب أن يرتكز المحرك على الأرض بشكل آمن وملئ.
4. لا تقم بتدوير وحدة دفع المروحة بسرعة تزيد على عدد اللفات الأقصى في الدقيقة للمروحة والمبين في الكتالوج. إجراء تعديلات في سرعة المروحة يؤثر بشكل كبير على الحمل الواقع على المحرك. في حال تغيير سرعة دوران المروحة في الدقيقة يجب أن يُفحص التيار الكهربائي للمحرك للتأكد من عدم تجاوزه لقيمة الأمبير المحددة على لوحة الصنع.
5. لا تدع كابل الطاقة ينتني أو يلامس الزيوت أو الشحوم أو الأسطح الساخنة أو المواد الكيميائية. قم باستبدال الأسلاك عند تلفها فورًا.
6. تحقق من أن مصدر الطاقة متوافق مع الجهاز.
7. لا تفتح أبدًا بوابات الوصول إلى الأنابيب أثناء عمل المروحة.

خطر

قم دائمًا بفصل وقفل وربط المصدر الكهربائي قبل التركيب أو الصيانة. الإخفاق في فصل مصدر الطاقة قد يتسبب في حريق أو صدمة أو إصابة خطيرة.

تنبيه

عند القيام بصيانة المروحة قد تتسبب سخونة المحرك في حدوث ألم أو إصابة. دع المحرك يبرد قبل القيام بأعمال الصيانة.

تنبيه

يجب توخي الحيلة والحذر في الأجواء القابلة للانفجار.

DANGER

Pour écarter les risques d'incendie, de choc électrique ou de blessure grave, veiller à toujours débrancher, verrouiller et étiqueter la source de courant avant l'installation ou l'entretien.

ATTENTION

Lors de toute intervention sur la soufflante, le moteur peut être suffisamment chaud pour provoquer une douleur voire une blessure. Laisser le moteur refroidir avant toute maintenance.

ATTENTION

Faire preuve de précaution dans les atmosphères explosives.

كتيب التركيب والتشغيل والصيانة

الرجاء قراءة التعليمات قبل التشغيل والاحتفاظ بنسخة كمرجع في المستقبل. الرجاء قراءة التعليمات قبل التركيب أو التشغيل أو الصيانة. احمي نفسك ومن حولك بقراءة التعليمات وتطبيقها. إن الإخفاق في الامتثال بهذه التعليمات سوف يؤدي إلى بطلان ضمان المنتج وقد يؤدي إلى الضرر الشخصي و/أو تلف الممتلكات!

يجب التأكد من عملية تأريض الكيبيل عند التركيب وان المروحة موصولة بسلك التأريض.



يجب توصيل المروحة بالتيار المنصوص عليه في لوحة البيانات الخاصة بالمروحة.



يجب تفادي الاحتكاك بالمياه في الأجزاء الكهربائية للمروحة أو أي أجزاء أخرى من أجزاء المروحة.



في حالة وجود تسرب غاز يحذر تماما من تشغيل المروحة لأن عملية التشغيل سوف ينتج عنها شرار كهربائي مما سوف ينتج عنه انفجار.



يحذر استعمال أي مواد سائلة لتنظيف المروحة بشكل مباشر لأنه قد يتسبب في عملية صعق كهربائي.



لا ينصح بفك أو إعادة تجميع المروحة بعد التركيب.



يجب التأكد بأن القابس في وضع صعق قبل ملامسة المروحة مباشرة لكي لا تحصل عملية صعق بالتيار.



هذه المروحة يجب أن تتركب من قبل فني مختص.



هذه المروحة يجب أن تتركب بما لا يقل 2.3 متر من الأرض.



يجب عمل الصيانة الدورية للمروحة في كل سنة ولكن قبل الصيانة يجب التأكد من إغلاق القابس.



يجب ألا يُستخدم هذا الجهاز من قبل أشخاص (بما فيهم الأطفال) لديهم قدرات جسدية وحسية وعقلية منخفضة أو نقص في الخبرة والمعرفة إلا إذا قام الشخص المسؤول عن سلامتهم بالإشراف عليهم أو توجيههم حول كيفية استخدام الجهاز. كما يجب مراقبة الأطفال لمنعهم من العبث بالجهاز.



تحذير!

لتقليل أخطار الحريق أو الصعق الكهربائي أو أخطار الإصابات المختلفة الرجاء اتباع التالي:

- بعض الوحدات مناسبة للاستخدام مع وحدات تحكم في السرعة بحالة ثابتة.
- عندما يكون هناك تكسير أو عمل فتحات في الجدار الرجاء توخي الحذر من جرح الأسلاك أو الأجزاء الداخلية للمروحة.
- إذا كانت كبلات التوصيل مقطوعة أو معيبة، قم بإيقاف تشغيل مصدر الطاقة واتصل بفني متخصص لاستبدال الأسلاك/الوصلات.
- لا تستعمل سويتش حيث يمكن الوصول إليه من داخل المروش أو المغطس.
- لتقليل مخاطر الحريق أو الصعق الكهربائي أو الإصابات الرجاء اتباع التالي:
- هذه المرواح لا يوصى بها في أماكن الطبخ أو المطابخ لأنها مصممة لدرجات حرارة منخفضة وشطف الهواء النقي.
- المروحة غير مخصصة للتركيب خارج النوافذ أو الجدران.

تحذير!

- المروحة مخصصة لشطف الهواء لذلك لا يجب استعمالها لشطف المواد الكيميائية أو مواد قابلة للانفجار أو عوادم.

127, 208 و 220-240 فولت/60 هرتز/أحادي الطور

- السلك الأسود يمثل «ساخن»
- السلك الأبيض يمثل «ساخن/محايد» إن وجد
- السلك الأخضر أو السلك المخطط بالأخضر والأصفر يمثل «أرضي» إن وجد

380 و 400 فولت/60 هرتز/ثلاثي الأطوار

- السلك الأسود يمثل «ساخن»
- السلك المخطط بالأخضر والأصفر يمثل «أرضي» إن وجد

يجب استعمال المقبس المناسب لتوصيل التيار وفصل الأسلاك بما لا يقل عن 3 ملمتر عن بعضها البعض بما يضمن عدم تلامس الأسلاك مع بعضها البعض ويجب تركيب المقبس و الأسلاك حسب ما تنص عليه القوانين المحلية.



يجب الحذر من تسرب الغاز إلى المروحة من أي نقطة غاز مفتوحة.

