

## Installation Manual

These instructions apply to the external field installation of Pull Chain Operator on VCD series dampers.

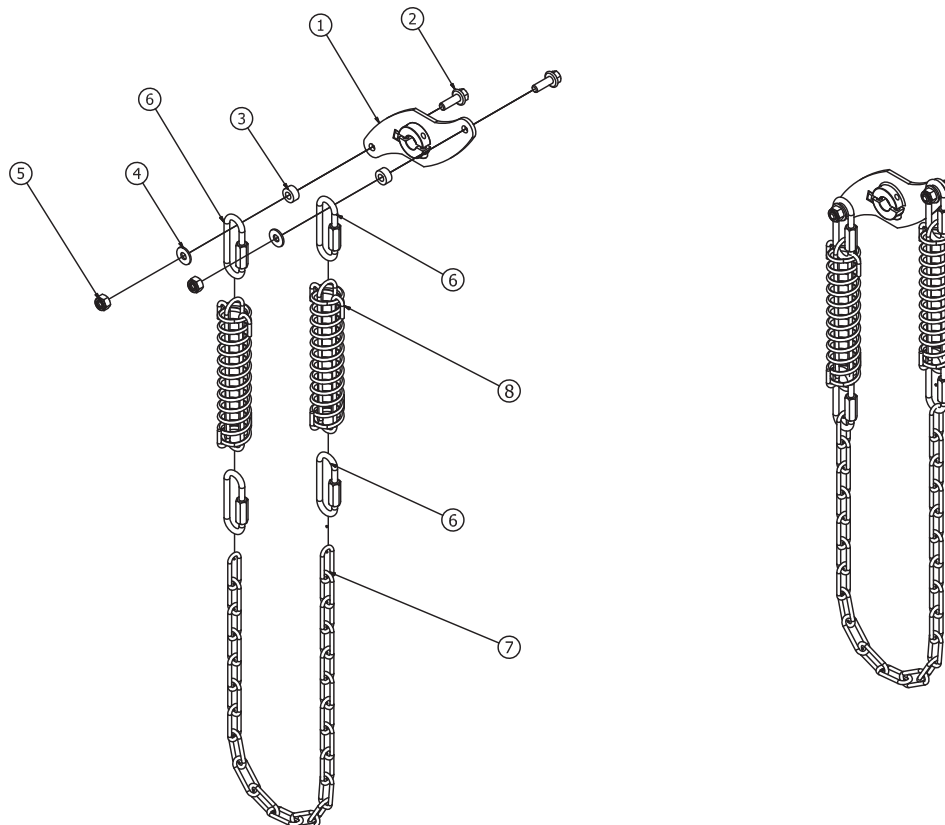
### Tools Required:

$\frac{9}{64}$  in. Allen Wrench for  $\frac{1}{2}$  in. kit

$\frac{3}{16}$  in. Allen Wrench for 1 in. kit

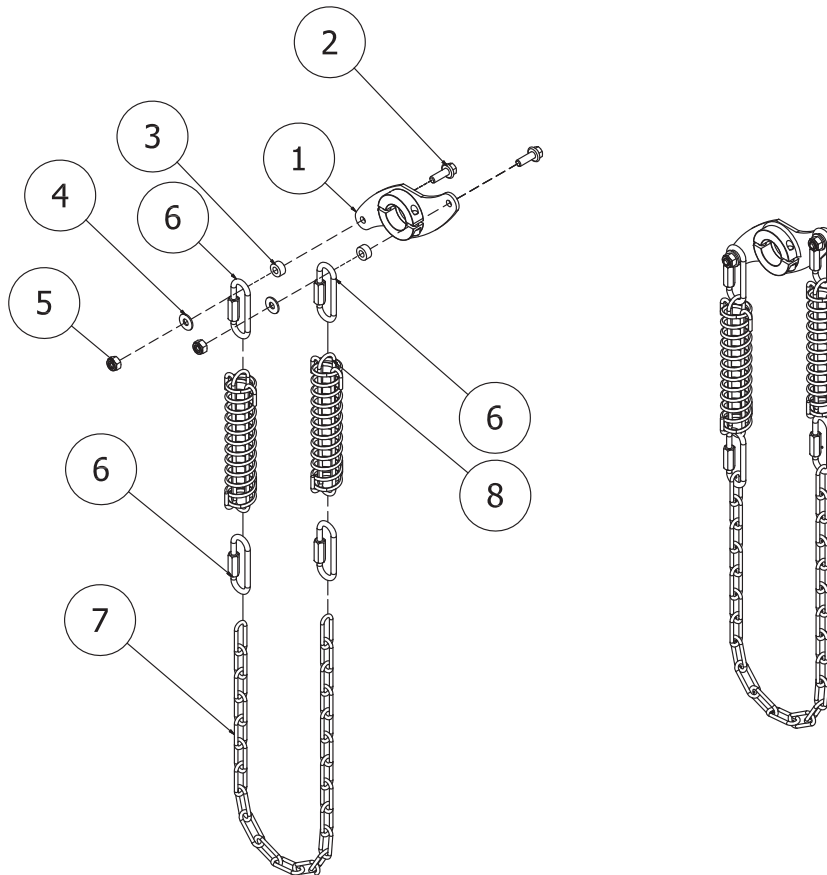
Part no. 877751 1/2 inch Pull Chain Operator Kit- Galv		
Item	Qty	Description
1	1	$\frac{1}{2}$ in. dia. pull chain
2	2	$\frac{1}{4}$ -20 x .75 bolt, ZP
3	2	Unthreaded spacer ZP
4	2	Flat washer ZP
5	2	$\frac{1}{4}$ - 20 Nyloc Nut ZP
6	4	$\frac{3}{16}$ in. Quick-Link ZP
7	1	Chain ZP
8	2	Spring ZP

Part no. 914040 1/2 inch Pull Chain Operator Kit- 316SS		
Item	Qty	Description
1	1	$\frac{1}{2}$ in. dia. pull chain 316SS
2	2	$\frac{1}{4}$ -20 x .75 bolt, 316SS
3	2	Unthreaded spacer 316SS
4	2	Flat washer 316SS
5	2	$\frac{1}{4}$ - 20 Nyloc Nut 316SS
6	4	$\frac{3}{16}$ in. Quick-Link 316SS
7	1	Chain 316SS
8	2	Spring 316SS



Part no. 87752 1 inch Pull Chain Operator Kit- Galv		
Item	Qty	Description
1	1	1 in. dia. pull chain
2	2	¼-20 x .75 bolt, ZP
3	2	Unthreaded spacer ZP
4	2	Flat washer ZP
5	2	¼ - 20 Nyloc Nut ZP
6	4	⅜ in. Quick-Link ZP
7	1	Chain ZP
8	2	Spring ZP

Part no. 914041 1 inch Pull Chain Operator Kit- 316SS		
Item	Qty	Description
1	1	1 in. dia. pull chain
2	2	¼-20 x .75 bolt, 316SS
3	2	Unthreaded spacer 316SS
4	2	Flat washer 316SS
5	2	¼ - 20 Nyloc Nut 316SS
6	4	⅜ in. Quick-Link 316SS
7	1	Chain 316SS
8	2	Spring 316SS



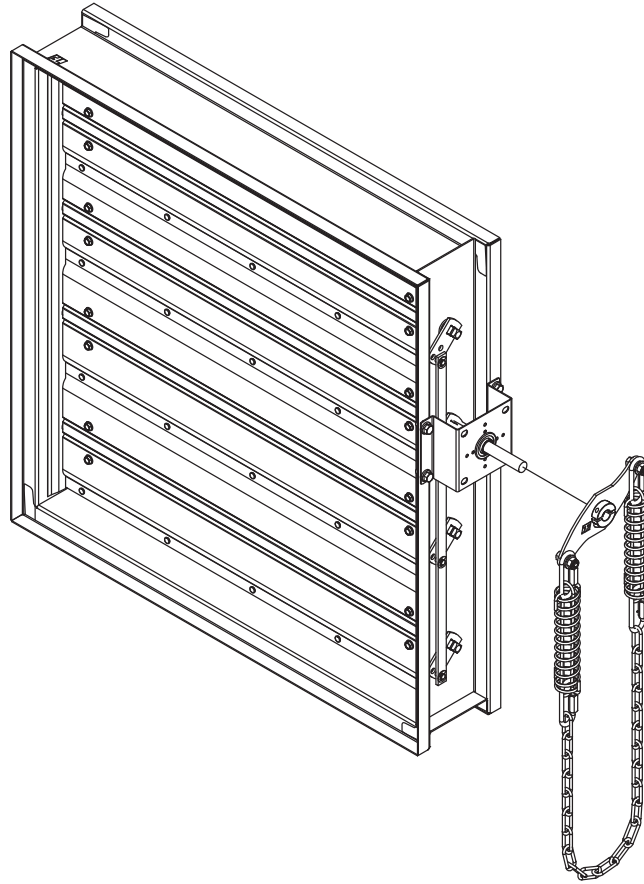
## Non-jackshafted Dampers

Control damper should be mounted in the wall and shaft extension mounted onto the correct blade of the damper before continuing with these instructions.

### After Extended Shaft is Installed

1. Assemble the pull chain operator to the extension bracket assembly (**Item 2**).
2. With the damper in the full open or full closed position, attach the pull chain operator (**Item 1**) to the extended control shaft so the pull chain operator can move the damper between open and close.

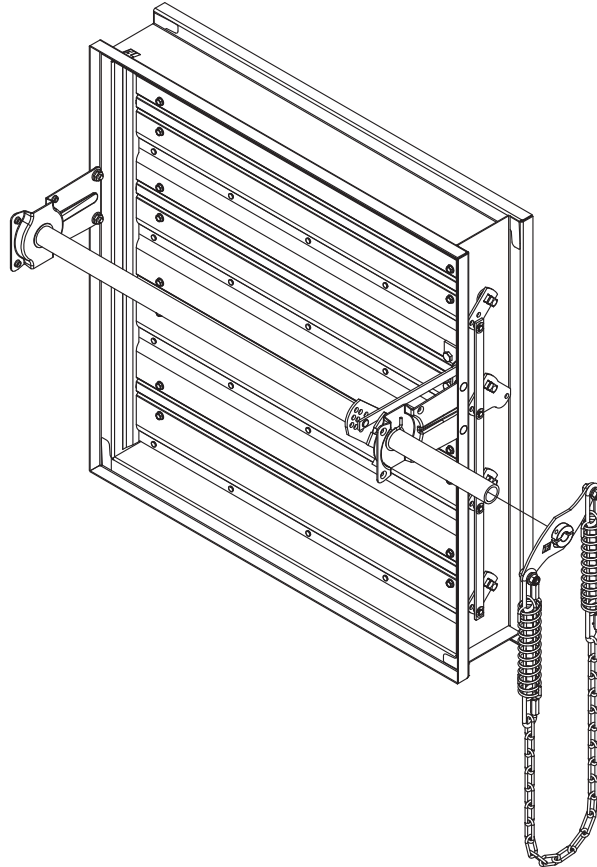
**Note:** Tighten down the socket head cap screws on the pull chain collar so the collar does not slip on the shaft when opening and closing the damper.



## Jackshafted Dampers

1. The jackshaft is either ½ in. or 1 in. diameter on the damper. Use the kit listed on page 1 and 2 for the appropriate jackshaft size you have.
2. With the damper in the full open or full closed position, attach the pull chain operator (**Item 1**) to the jackshaft (**Item 2**) so pull chain operator can move the damper between open and close.

**Note:** Tighten down the socket head cap screws on the pull chain collar so the collar does not slip on the shaft when opening and closing the damper.



## Our Commitment

*As a result of our commitment to continuous improvement, Greenheck reserves the right to change specifications without notice.*

Product warranties can be found online at [Greenheck.com](http://Greenheck.com), either on the specific product page or in the literature section of the website at [Greenheck.com/Resources/Library/Literature](http://Greenheck.com/Resources/Library/Literature).

