

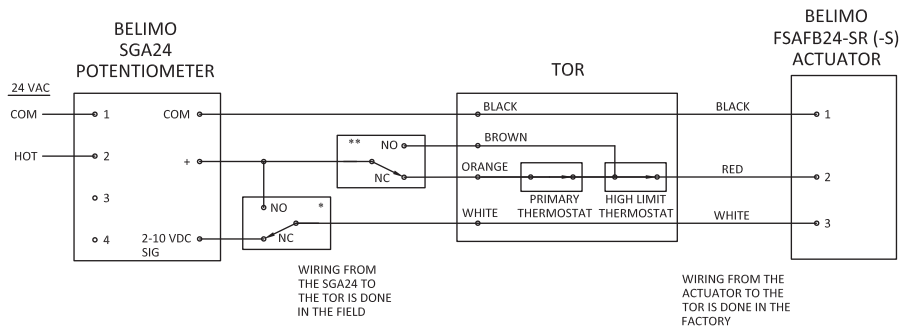
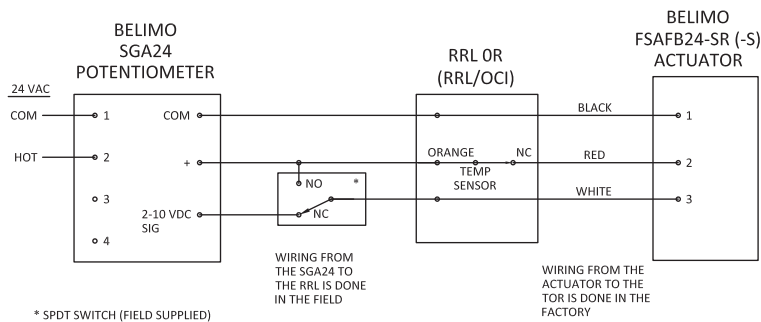
Document number 481675

Belimo SGA Potentiometer

Installation Instructions



The Belimo SGA24 potentiometer can be field mounted to Greenheck FSD or SMD series damper supplied with Belimo FSAF24-SR(-S) actuators to allow the damper to be used to balance airflow in ducts.



Note: Make sure that the slider switch inside the SGA24 is set for 2-10VDC operation.

