

Refer to:

'Installation Instructions for VCD and FBV Series Control Dampers' (Part #463384)

Models:

FBV-23, VCD-23, VCD-23V, VCD-33, VCD-33V, VCD-34, VCD-34V, SEVCD-23, SEVCD-33

These instructions address either replacement or initial installation.

The TPE seal pushes onto the blade edge and is held by the friction between the blade material and directional projections inside the rigid plastic clip. Seal material is cut-to-length before installing. If your damper has a closure strip, install the seal as shown on the drawing. If you have no closure strip, you will install the sweep seal as shown on the drawing. Seal is normally installed to the drive blade and to every blade tip on the same side of damper.

Models: FBV-23, VCD-23, VCD-23V, SEVCD-23

Blade Action: Opposed

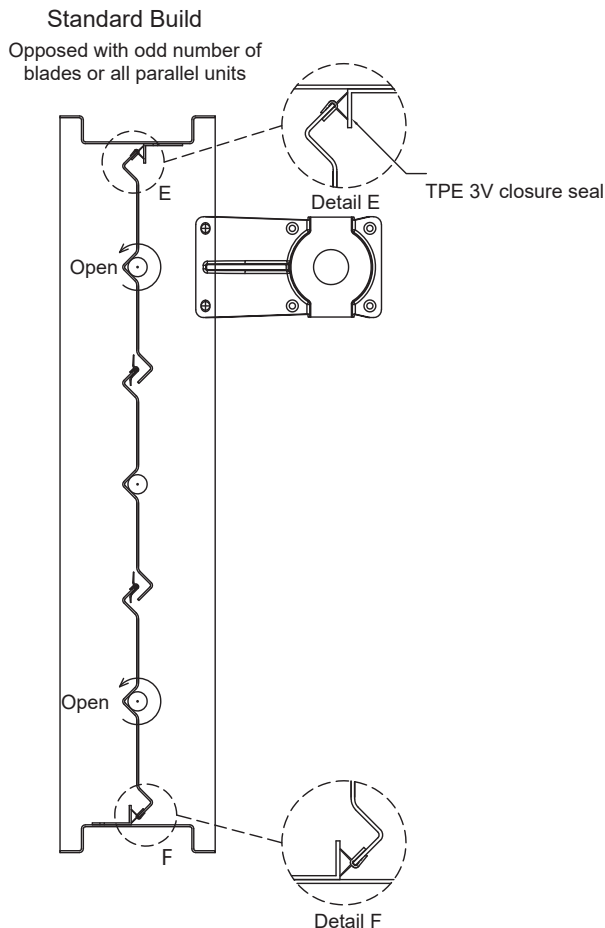
Number of Blades: Odd

Blade Action: Parallel

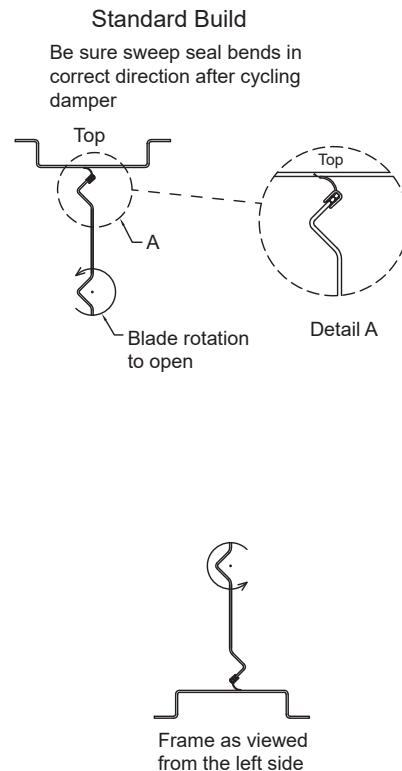
Number of Blades: Both (odd and even)

Blade Type	Elastomer Material	Greenheck Part number
3V	Blade Seal	485394
	Sweep Seal	485393
	Closure Seal	472783

Closure Strip Detail



Sweep Seal Detail



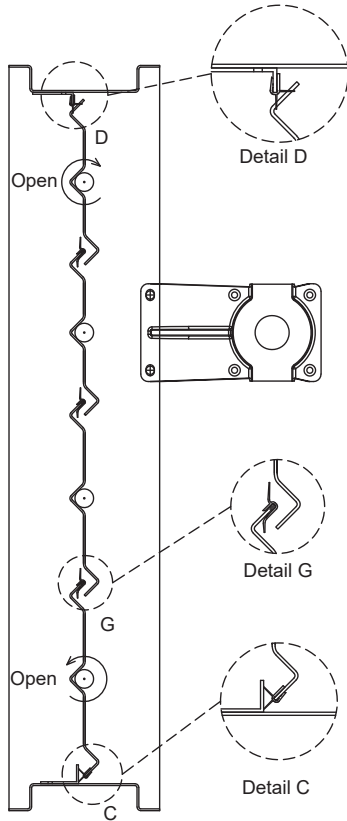
Models: FBV-23, VCD-23, VCD-23V, SEVCD-23

Blade Action: Opposed
 Number of Blades: Even

Blade Type	Elastomer Material	Greenheck Part number
3V	Blade Seal	485394
	Sweep Seal	485393
	Closure Seal	472783

Closure Strip Detail

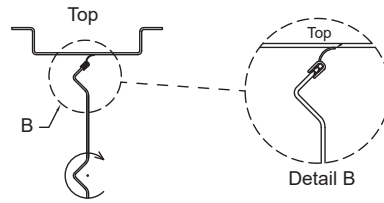
Opposed with even number of blades



Sweep Seal Detail

Opposed with even number of blades

Be sure sweep seal bends in correct direction after cycling damper



Models: VCD-33, VCD-34, VCD-33V, VCD-34V, SEVCD-33

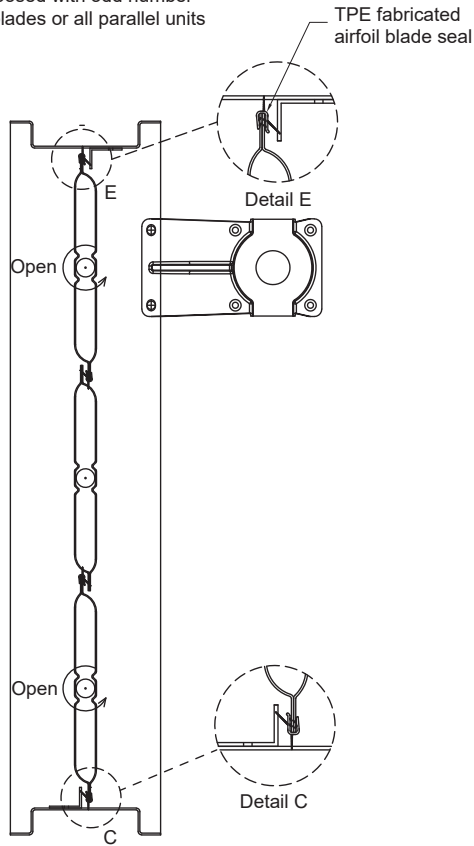
Blade Action: Opposed
 Number of Blades: Odd

Blade Action: Parallel
 Number of Blades: Both (odd and even)

Blade Type	Elastomer Material	Greenheck Part number
Fabricated Airfoil	Blade Seal	485392
	Sweep Seal	474708
	Closure Seal	485392

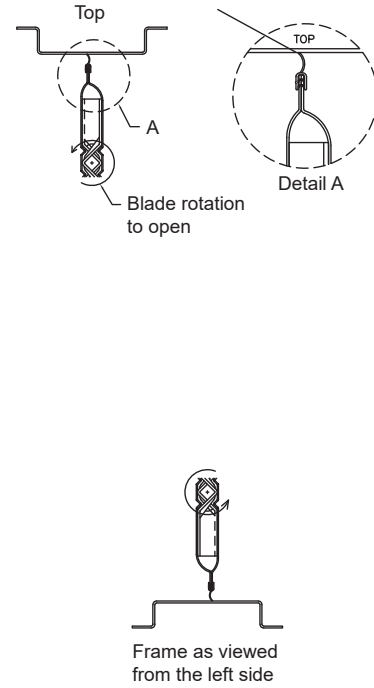
Closure Strip Detail

Opposed with odd number of blades or all parallel units



Sweep Seal Detail

Be sure sweep seal bends in correct direction after cycling damper



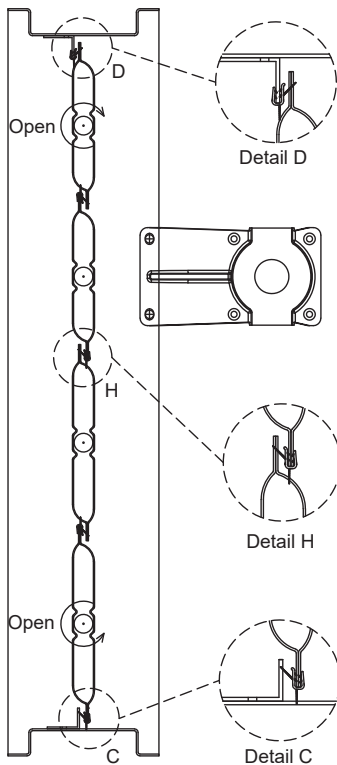
Models: VCD-33, VCD-34, VCD-33V, VCD-34V, SEVCD-33

Blade Action: Opposed
 Number of Blades: Even

Blade Type	Elastomer Material	Greenheck Part number
Fabricated Airfoil	Blade Seal	485392
	Sweep Seal	474708
	Closure Seal	485392

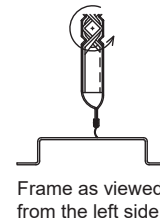
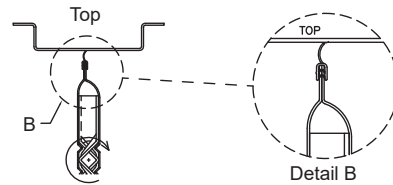
Closure Strip Detail

Opposed with even number of blades



Sweep Seal Detail

Be sure sweep seal bends in correct direction after cycling damper



Phone: (715) 359-6171 • Fax: (715) 355-2399 • E-mail: gfcinfo@greenheck.com • Website: www.greenheck.com