

Parts needed:

Part No.	Description
879163	Thermal blanket kit to cover a 36 in. x 36 in. damper
220079	3M Type FSK 1525 SCW tape

“Standard” fire dampers (FD and DFD series) and combination fire smoke dampers (FSD series) are designed to be mounted such that the centerline of their blades, when closed, are in the plane of a fire rated barrier. These instructions describe the requirements for modifying a standard fire or fire smoke damper when it is necessary to mount the damper such that the centerline of the closed blades are outside the plane of the fire rated barrier.

Note: Field modifications to UL classified dampers are not covered under the scope of UL’s follow-up service. Therefore it may be deemed necessary for dampers modified in the field to be re-inspected to confirm compliance with Greenheck’s UL construction requirements. If a re-inspection of a field modified damper is deemed to be required contact Greenheck to coordinate an on-site UL field inspection.

Dampers mounted with the centerline of the blades outside the plane of the rated barrier are required to have ceramic fiber thermal blanket installed around the damper sleeve. Kit number 879163 includes enough thermal blanket to insulate a 36 in. x 36 in. (915mm x 915mm) damper.

The thermal blanket is not required to extend past the damper frame on the side opposite the barrier (see Figure 1). One end of the thermal blanket shall be mechanically fastened with #10 sheet metal screws or $\frac{3}{16}$ in. steel rivets. The fasteners shall be a maximum of 2 inches (51mm) from the corners and then every 6 inches (152mm) on center. The blanket shall be fastened on all four sides in this manner. The thermal blanket may be attached on the other side of the sleeve using 3M Type FSK 1525CW tape. The seam where the thermal blanket comes together requires to be taped with 3M Type FSK 1525CW. The Greenheck part number for this tape is 220079.

Once the thermal blanket is properly installed the damper must be installed as required by Greenheck’s UL approved installation instructions for out of wall fire and combination fire smoke dampers (Document Number 461337).

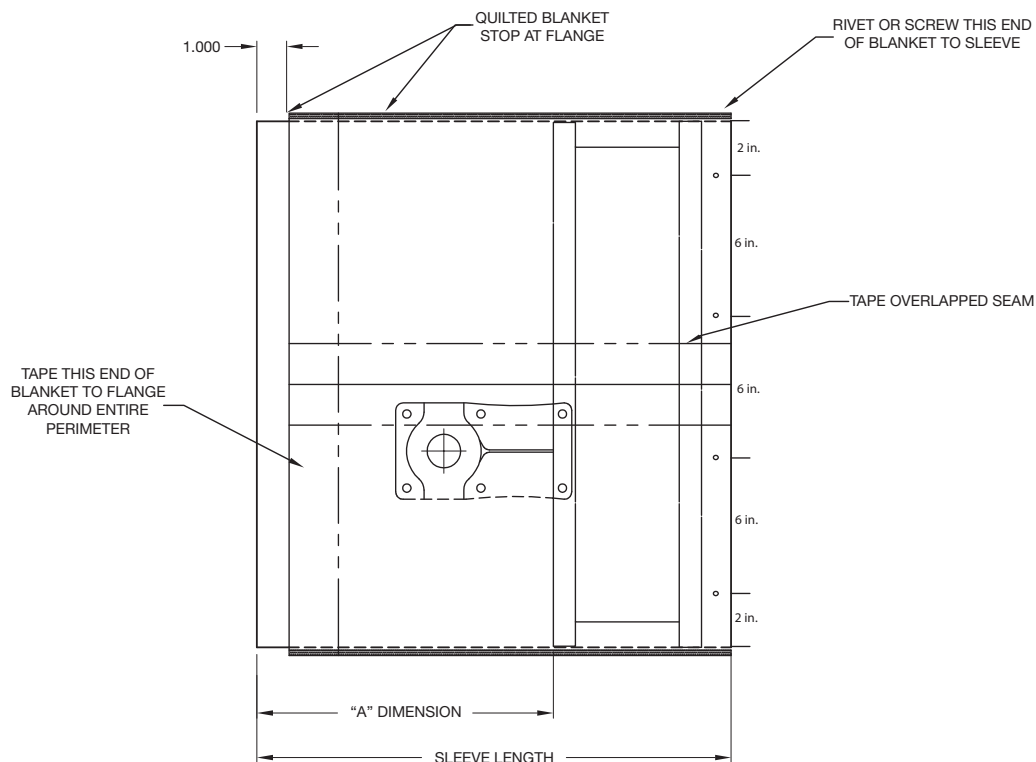


Figure 1: Attaching Thermal Blanket

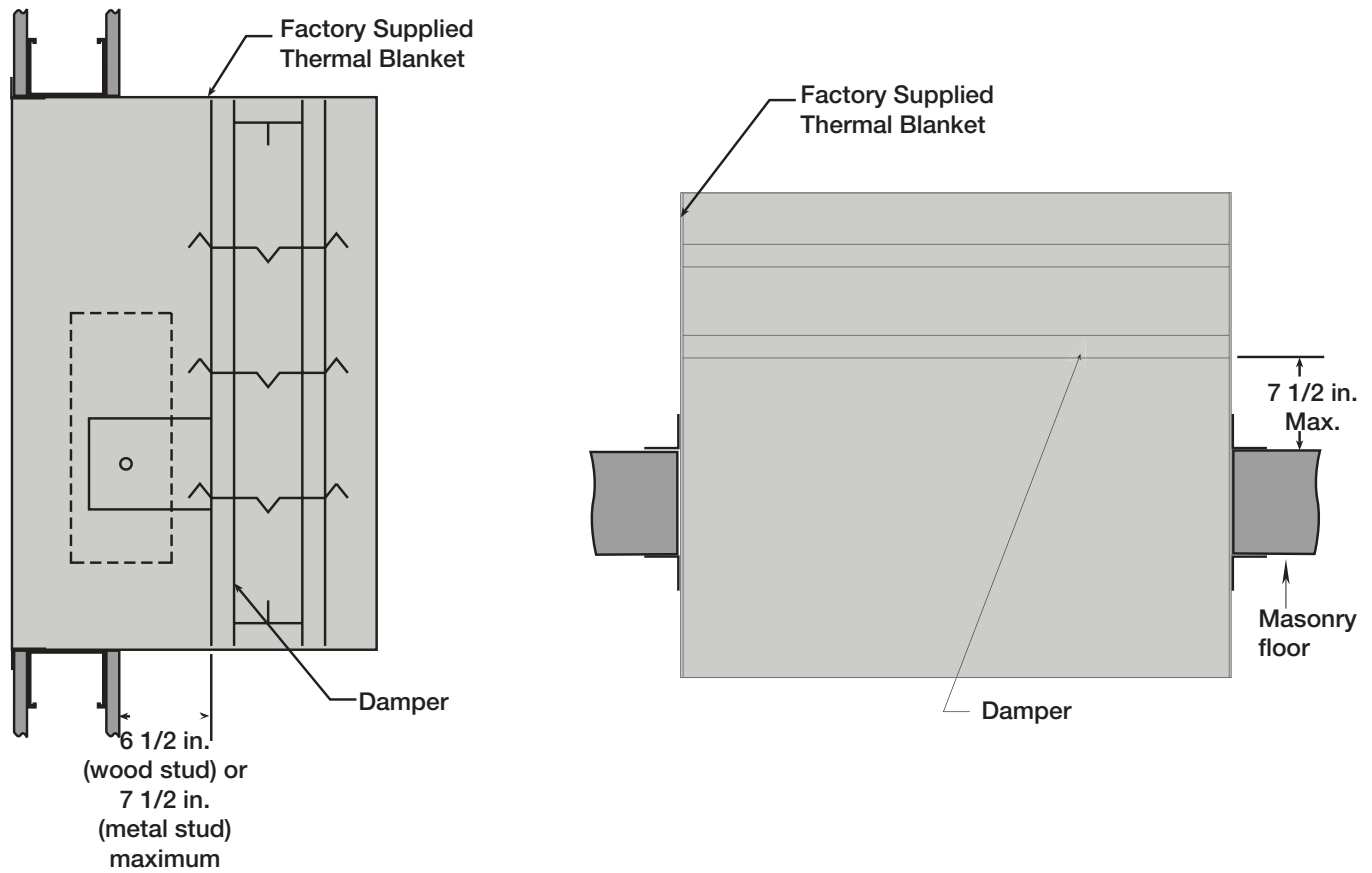


Figure 2: Out of Wall Installation

Our Commitment

As a result of our commitment to continuous improvement, Greenheck reserves the right to change specifications without notice.

Product warranties can be found online at Greenheck.com, either on the specific product page or in the literature section of the website at Greenheck.com/Resources/Library/Literature.

