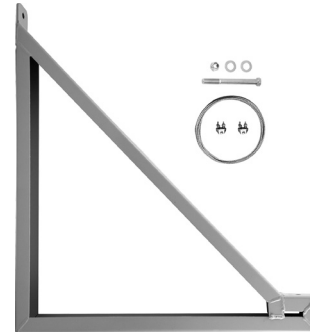


Installation, Operation and Maintenance Manual

Please read and save these instructions for future reference. Read carefully before attempting to assemble, install, operate or maintain the product described. Protect yourself and others by observing all safety information. Failure to comply with these instructions will result in voiding of the product warranty and may result in personal injury and/or property damage.

Models BKT-WPC-201 and BKT-WPC-301

Designed to mount on MAC air circulators (sizes 18 to 48 inches). Wall mount kit is constructed of steel and coated with gray polyester powder coat finish. Includes safety support cable and hardware. Accessory is UL/cUL Listed Standard 507 when used with Greenheck's model MAC air circulators and ceiling mount kit.



| Model | Use on Model | | Includes | Quantity |
|-------------|------------------|------------------|---|----------------------------|
| BKT-WPC-201 | MAC-18-339-B4-J1 | MAC-18-339-B4-U3 | (A) Wall Mount Bracket (B) Nylok Nut (C) Flat Washer (D) Hex Head Screw (E) Safety Cable (F) Cable Retainers | 1 1 2 1 1 4 |
| | MAC-20-327-B4-J1 | MAC-20-327-B4-U3 | | |
| | MAC-24-323-B3-J1 | MAC-24-323-B3-U3 | | |
| | MAC-30-324-C5-J1 | MAC-30-324-C5-U3 | | |
| BKT-WPC-301 | MAC-36-322-C5-J1 | MAC-36-322-C5-U3 | | |
| | MAC-36-5-J1 | MAC-42-320-C7-U3 | | |
| | MAC-42-320-C7-J1 | MAC-42-7-U3 | | |
| | MAC-42-7-J1 | MAC-48-316-C7-U3 | | |
| | MAC-48-316-C7-J1 | MAC-48-7-U3 | | |
| | MAC-48-7-J1 | | | |

Unpacking

1. Inspect for any damage that may have occurred during transit.
2. Shipping damage claim must be filed with carrier.
3. Check all parts listed are accounted for.

General Safety Information

1. Read and follow all instructions, cautionary markings and make sure power source conforms to the requirement of the equipment.
2. Disconnect all power before installing or servicing.
3. Follow all local electrical and safety codes, as well as the National Electrical Code (NEC) and the National Fire Protection Agency (NFPA), where applicable.
4. Follow all local safety codes, as well as the Occupational Safety and Health Act (OSHA) in the United States and Canada.

WARNING

To reduce the risk of fire, electrical shock, or injury to persons, observe the following:

- a. Use this unit only in the manner intended by the manufacturer. If you have questions, contact the manufacturer.
- b. Before servicing or cleaning unit, switch power off at service panel and lock the service disconnecting the means to prevent power from being switched on accidentally. When the service disconnecting means cannot be locked, securely fasten a prominent warning device, such as a tag, to the service panel.

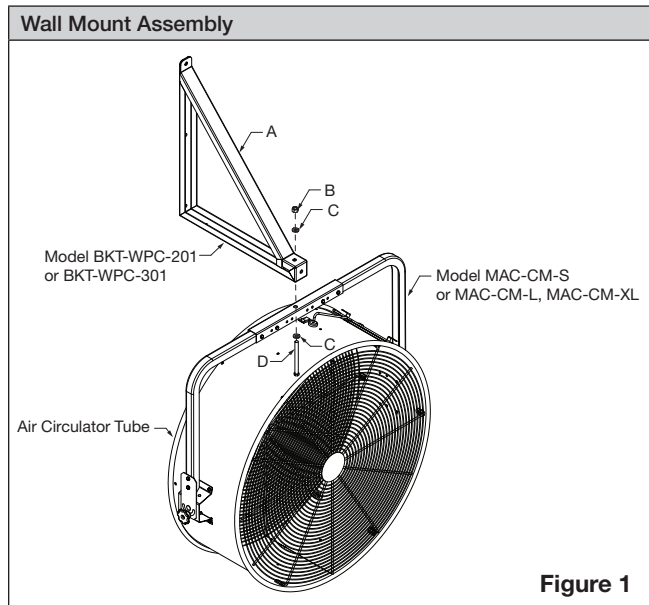
WARNING

Do not depend on any switch to disconnect power supply. Always unplug the power cord or turn off and lock disconnecting means as described.

WARNING

To reduce the risk of fire or electrical shock, do not expose to water or rain.

Assembly and Installation



1. Attach Greenheck's ceiling mount kit (sold separately / MAC-CM) to the air circulator using the instructions provided with the ceiling mount accessory.
2. Locate the nearest wall stud for the desired mounting location and attach the wall mount bracket (A) using appropriate fasteners (by others).
3. Align ceiling mount bracket with the wall mount bracket.
4. Insert the hex head screw (D) with one washer (C) through the brackets, tighten one washer (C) with nylok nut (B), then back nut off 1/4 turn to allow air circulator to swivel.
5. Use cable retainers (F) to attach the safety cable (E) to the fan and wall or ceiling.

Maintenance

1. Depending on the usage and severity, a regularly scheduled inspection should be established.
2. Check for unusual noises when circulator is running.
3. Periodically inspect and tighten all bolts, screws and set screws.

Our Commitment

As a result of our commitment to continuous improvement, Greenheck reserves the right to change specifications without notice.

Product warranties can be found online at Greenheck.com, either on the specific product page or in the literature section of the website at Greenheck.com/Resources/Library/Literature.

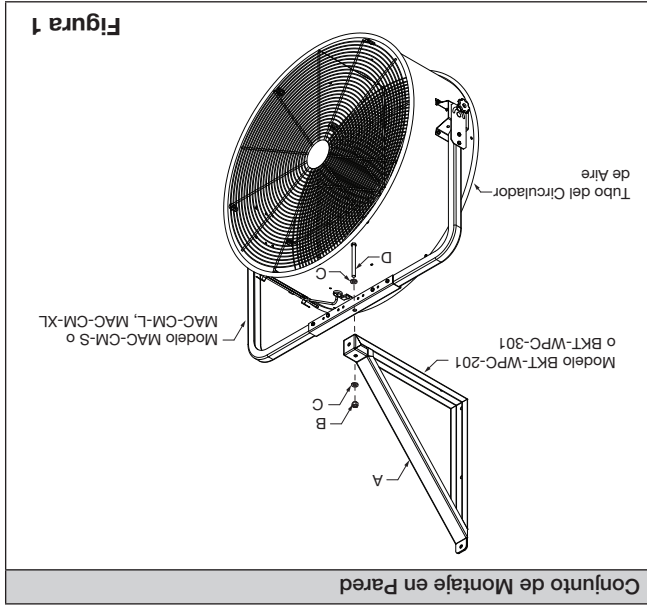
Greenheck Mobile Air Circulators catalog provides additional information describing the equipment, fan performance, available accessories, and specification data.

AMCA Publication 410-96, Safety Practices for Users and Installers of Industrial and Commercial Fans, provides additional safety information. This publication can be obtained from AMCA International, Inc. at www.amca.org.



Saltillo, Mexico • E-mail: info@greenheck.com.mx • Website: greenheck.com.mx
USA • Phone: 715.359.6171 • Fax: 715.355.2399 • Parts: 800.355.5354 • E-mail: gfcinfo@greenheck.com • Website: www.greenheck.com

Ensamblaje e Instalación



1. Dependiendo del uso y la intensidad del mismo, se debe establecer un programa de inspección regular.
2. Cuando esté funcionando el circulador, revise si existen ruidos anormales.
3. Inspeccione y apriete de manera periódica todos los pernos, tornillos y tornillos de fijación.

1. Conecte el juego de montaje en cielo de Greenheck (se vende por separado, MAC-CM) al circulador de aire según las instrucciones que se proporcionan con el accesorio de montaje en cielo.
2. Ubique el entramado de pared más cercano para el lugar de montaje que desee y fije el soporte de montaje en pared (A) con sujetadores adecuados (proporcionados por terceros).
3. Alinee el soporte de montaje en cielo con el soporte de montaje en pared.
4. Inserte el tornillo de cabeza hexagonal (D) con una arandela (C) a través de los soportes, apriete una tuerca en dirección contraria 1/4 de vuelta para permitir que gire el circulador de aire.
5. Use retenes de cable (F) para conectar el cable de seguridad (E) al ventilador y al muro o cielo.

Nuestro Compromiso

Como resultado de nuestra comisión de mejora continua, Greenheck reserva el derecho de cambiar especificaciones sin aviso.

Las garantías especificadas para cada producto están disponibles en nuestra página Web www.greenheck.com ubicadas en la pestaña nominada Library, bajo Garantías.

El catálogo de circuladores de aire móviles de Greenheck proporciona información adicional que describe el equipo, el rendimiento del ventilador, los accesorios disponibles y los datos de especificaciones.

La publicación AMCA 410-96, Prácticas de seguridad para usuarios y personal de instalación de ventiladores industriales y comerciales, proporciona información de seguridad adicional. Esta publicación se puede obtener en AMCA International, Inc, en: www.amca.org.

GREENHECK
 ValORIZANDO EL AIRE.

