

Application

Model SSFD-350 is static rated fire damper approved for use in walls and partitions with fire resistance ratings of 3 hours or more. This model carries a 3 hour UL fire damper label. UL555 classifies static rated fire dampers for use in HVAC systems that are automatically shut down in the event of fire

Ratings

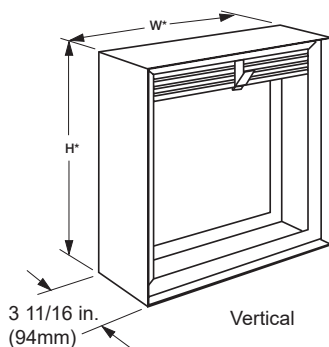
UL 555 Fire Resistance Rating

Fire Rating: 3 hours

Construction

	Standard	Optional
Frame Depth	3 ¹¹ / ₁₆ in. (94mm)	
Frame Material	304SS*	-
Blade Material	304SS*	-
Closure Spring	Stainless steel	-
Fusible Link	165°F (74°C)	212°F (100°C)
Mounting	Vertical	-

* in gauges required by UL listing R13317



* These dimension are furnished approximately 1/4 in. (6mm) undersize.



See complete marking on product.
 UL 555 Classification R13317

Model SSFD-350 meets the requirements for fire damper established by:

National Fire Protection Association
 (NFPA Standards 80, 90A & 101)

Underwriters Laboratories Standard 555
 (Listing #R13317)

IBC International Building Codes

California State Fire Marshall
 (Listing #3225-981:102)

Options

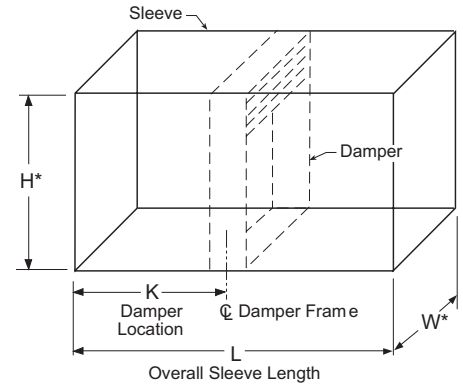
- Sealed transitions (sleeve required) and sleeves
- [One piece retaining angles \(POC\)](#)
- Transitions (B, C, CO, CR, R)
- Flanges

Factory Sleeve Option

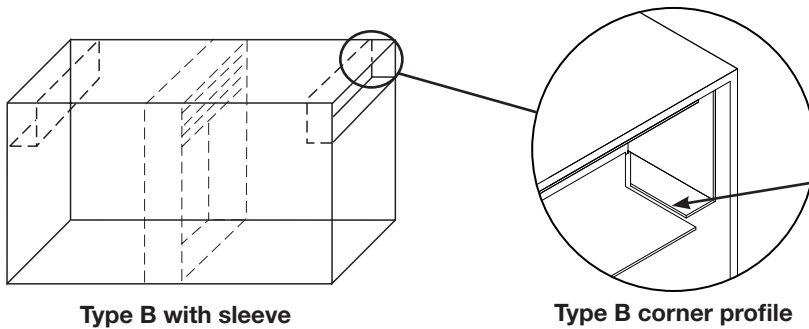
SSFD-350 Fire Dampers are available in factory furnished sleeves. Sleeves are 304SS and are available in 10 thru 20 ga. (1mm- 3.5mm) thicknesses and lengths up to 36 in. (914mm).

“K” dimension specifies location of damper within the sleeve. Minimum is 4 in. (102mm), maximum is “L” less 4 in. (102mm), which allows for mounting angle installation and duct connection at each end of the sleeve. If “K” dimension is not specified, the damper will be centered in the sleeve.

Note: If using access doors, the door should be installed on the “K” side of the damper.



Sealed Sleeves and Transitions Option



When sealed option is selected, B transitions will need to be field sealed in the area where duct to sleeve connection is made.

Document Links



[INSTALLATION](#)



[CATALOG](#)



[SELECTION GUIDE](#)



[ALTERNATE INSTALLATIONS](#)



[SPECIFICATIONS](#)



[WARRANTY](#)

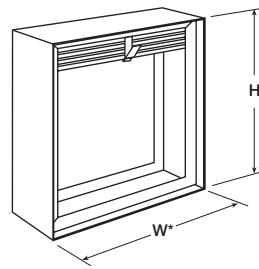
Type A, B, & B2

Dampers are supplied as single section only.

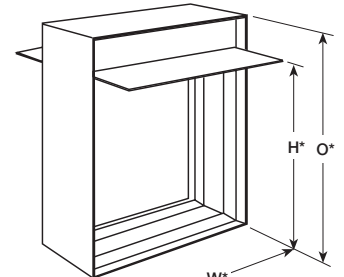
The following chart show minimum and maximum damper sizes. Dimensions are in inches (mm in parentheses).

Size Limitations

Inches (mm)	Single Section	
	Minimum	Maximum
Type A	4 x 4 (102 x 102)	48 x 48 (1219 x 1067)
Type B & B2	4 x 3 (102 x 76)	48 x 42 (1219 x 1067)

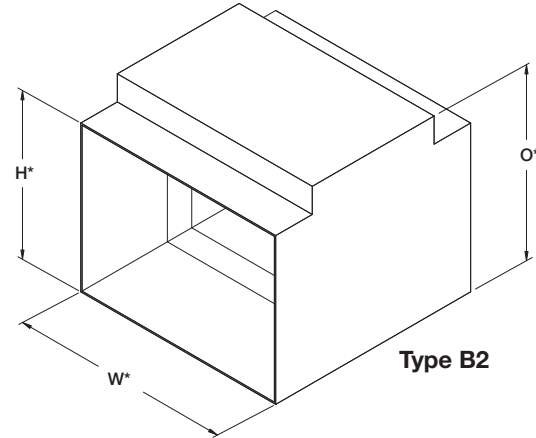
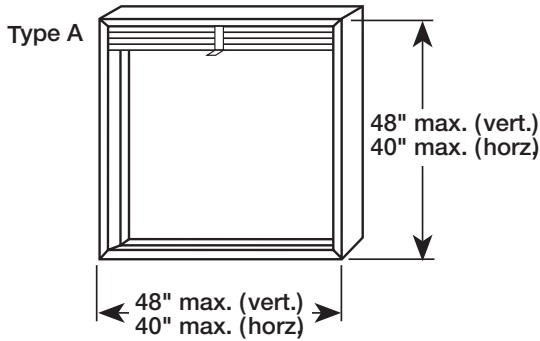


Type A

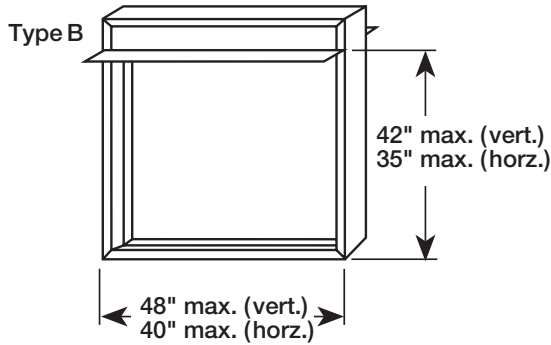


Type B

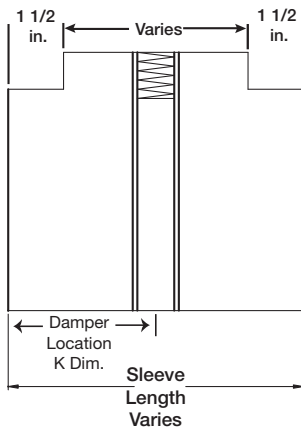
Maximum Single Section Dimensions



Type B2



Type B2 side view



H*	O*
3 (76)	5 (127)
4 (102)	6 (152)
5 (127)	7 (178)
6 (152)	8 (203)
7 (178)	9 (229)
8 (203)	10 (254)
9 (229)	11 (279)
10 (254)	12 (305)
11 (279)	13 (330)
12 (305)	14 (356)
13 (330)	15 (381)
14 (356)	16 (406)
15 (381)	18 (457)
16 (406)	19 (483)
17 (432)	20 (508)
18 (457)	21 (533)
19 (483)	22 (559)
20 (508)	23 (584)
21 (533)	24 (610)
22 (559)	26 (660)

H*	O*
23 (584)	27 (686)
24 (610)	28 (711)
25 (635)	29 (737)
26 (660)	30 (762)
27 (686)	31 (787)
28 (711)	32 (813)
29 (737)	33 (838)
30 (762)	34 (864)
31 (787)	36 (914)
32 (813)	37 (940)
33 (838)	38 (965)
34 (864)	39 (991)
35 (889)	40 (1016)
36 (914)	41 (1041)
37 (940)	42 (1067)
38 (965)	44 (1118)
39 (991)	45 (1143)
40 (1016)	46 (1168)
41 (1041)	47 (1194)
42 (1067)	48 (1219)

* These dimensions are furnished approximately 1/4 in. (6mm) undersize.

Type CR, CO, C & R

Dampers are supplied as single section only.

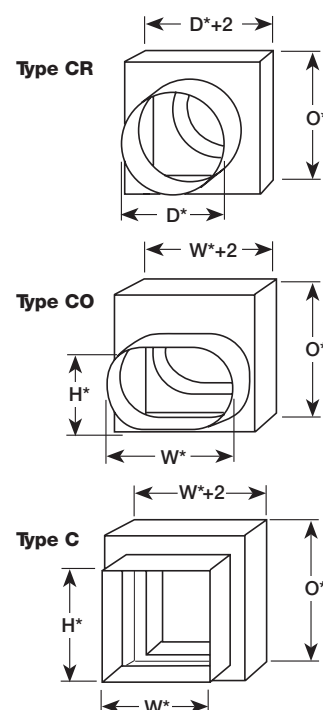
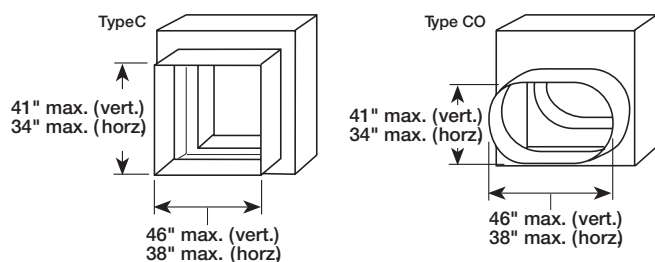
The following chart show minimum and maximum damper sizes.

Dimensions are in inches (mm in parentheses).

Inches (mm)	Single Section	
	Minimum	Maximum
Type CR	3 (76)	41 (1041)
Type C & CO	3 x 3 (76 x 76)	46 x 41 (1168 x 1041)
Type R*	3 (76)	46 (1168)

*1 With 2 in. (50mm) offset. Sizes adjust with 0 offset and 1 in. (25mm) offset.

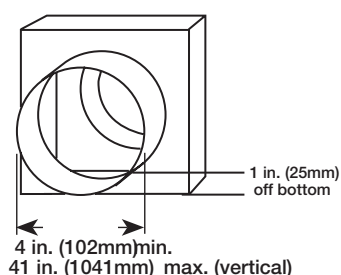
Maximum Single Section Dimensions



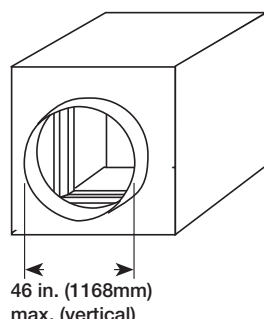
C, CO, CR transitions are positioned 1 in. (25mm) from bottom of sleeve

H* or D*	O*	H* or D*	O*
3 (76)	6 (152)	23 (584)	28 (711)
4 (102)	7 (178)	24 (610)	29 (737)
5 (127)	8 (203)	25 (635)	30 (762)
6 (152)	9 (229)	26 (660)	31 (787)
7 (178)	10 (254)	27 (686)	32 (813)
8 (203)	11 (279)	28 (711)	33 (838)
9 (229)	12 (305)	29 (737)	34 (864)
10 (254)	13 (330)	30 (762)	36 (914)
11 (279)	14 (356)	31 (787)	37 (940)
12 (305)	15 (381)	32 (813)	38 (965)
13 (330)	16 (406)	33 (838)	39 (991)
14 (356)	18 (457)	34 (864)	40 (1016)
15 (381)	19 (483)	35 (889)	41 (1041)
16 (406)	20 (508)	36 (914)	42 (1067)
17 (432)	21 (533)	37 (940)	44 (1118)
18 (457)	22 (559)	38 (965)	45 (1143)
19 (483)	23 (584)	39 (991)	46 (1168)
20 (508)	24 (610)	40 (1016)	47 (1194)
21 (533)	26 (660)	41 (1041)	48 (1219)
22 (559)	27 (686)	-	-

Type CR



Type R



* Dimensions are inches (mm). These dimensions are furnished approximately 1/4 in. (6mm) undersize, except round and oval dimensions (D, H, W) are approximately 1/8 in. (3mm) undersize.