

Application

The AMS is an accurate airflow measuring station and is furnished with a properly sized pressure transducer that outputs a signal proportional to cfm. A field supplied controller can use the transducer's signal along with the flow formula:

$$CFM = Area * K * (P_{transducer})^m$$

to regulate a modulating actuator to the target set-point. K & m are factory supplied variables specific to each measuring station.

Ratings

Velocity

300 - 3000 fpm (1.5 - 15.2 m/s)

Temperature

-20°F to 180°F (-29°C to 82°C). Consult factory for temperature lower than -20°F (-29°C)

Transducer Operating Temperature

-4°F to 140°F (-20°C to 60°C)

Airflow Monitoring Accuracy

5% of reading

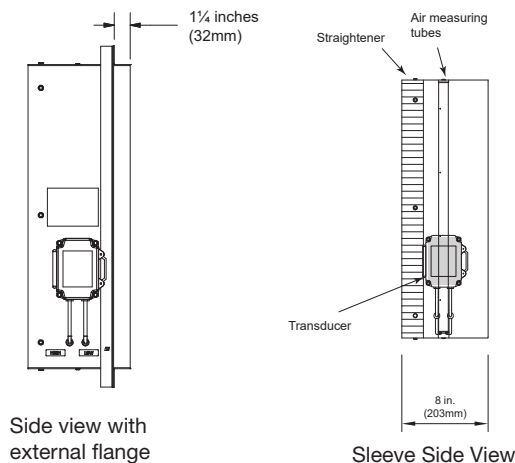
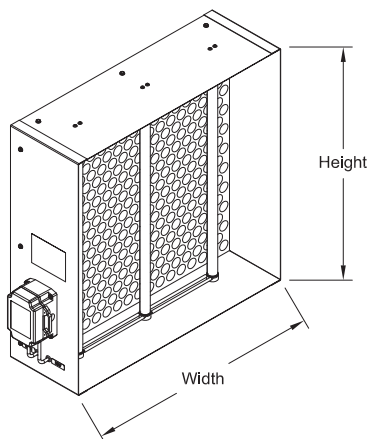
Size Limitations

W x H	Minimum Size	Maximum Size
		Single Section
Inches	6 x 6	60 x 72
mm	152 x 152	1524 x 1829

* For sizes larger than listed, consult factory

Features & Control Options

- Factory supplied 0-10 VDC pressure transducer
- Clean wrap
- Retaining Angle



W & H dimension furnished approximately 1/4 in. (6mm) undersize. Rendering shown with flange on both sides.

Construction

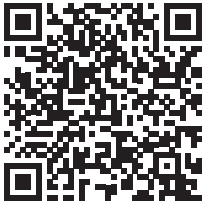
	Standard	Optional
Sleeve Material	Galvanized Steel	-
Sleeve Length	8 in. (203 mm)	-
Sleeve Thickness	20 ga. (1 mm)	14 ga. or 16 ga. (1.9 mm or 1.5 mm)
Flange	None	Upstream side, Downstream side, Both sides
Flange Width	None	0.5 in. to 3 in. (13 mm to 76 mm)
Air Straightener	Polycarbonate Honeycomb	-

Note: On sizes with a width greater than 48 inches (1219mm) or height greater than 48 inches (1219mm), an external flange will be provided for rigidity.

[Installation Instructions](#)

[Vari-Green Constant Volume Controller Instructions](#)

[Air Measuring Products Catalog](#)



[Damper Selection Guide](#)

[Specifications](#)

[Warranty](#)



Factory Supplied Controls

A factory supplied controller can also be added to an AMS airflow measuring station to convert the signal from the pressure transducer to cfm and control a field supplied damper. Go to www.greenheck.com for complete instructions on the Vari-Green® constant volume controller.

Vari-Green® Constant Volume Controller

Greenheck's Vari-Green Constant Volume Controller is a highly configurable analog based controller. The controller can accept a cfm setpoint either remotely by way of an analog input or locally by using touch sensitive buttons on its cover. The controller then regulates the position of the damper's actuator to deliver the requested cfm. An analog output on the controller also supplies a signal that is proportional to the real-time cfm.

The Vari-Green Constant Volume Controller features a two line backlit LCD display to show the user the current CFM setpoint, the real-time cfm, the current pressure reading, and the damper's actuator position.

