

## Application

The BD-100 is a horizontal mount backdraft damper designed to allow vertical airflow up and prevent reverse airflow. The dampers are opened by air pressure differential (assisted by springs\*) and closed by gravity. The primary application is with roof mounted exhaust fans.

## Damper Ratings

### Pressure

Up to 2.0 in. wg (0.5 kPa) - differential pressure

### Velocity

Up to 1500 fpm (7 m/s)

### Temperature

Up to 180°F (82°C)

### Leakage

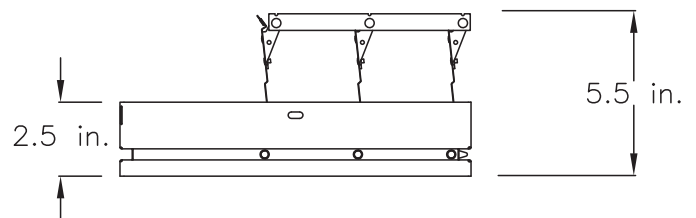
BD-100 series comply with the International Energy Conservation Code (IECC) and ASHRAE 90.1 leakage requirements for non-motorized dampers (see page 2)



## Construction

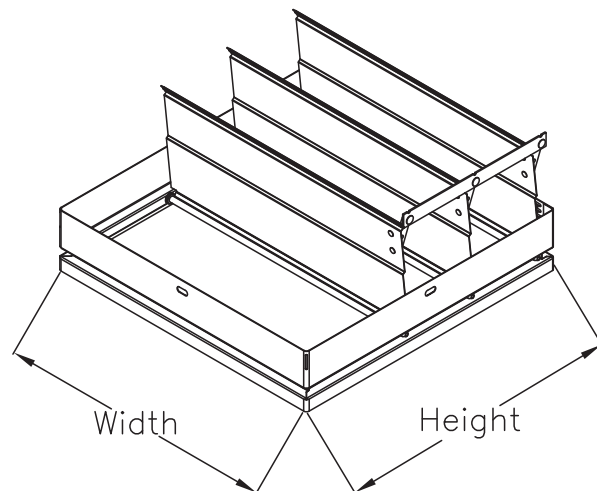
	Standard
Frame Material	Galvanized Steel
Frame Thickness	24 ga. (0.7mm)
Frame Type	No Flange
Blade Material	Roll formed aluminum
Blade Thickness	0.016 in. (0.41mm)
Blade Seals	Vinyl
Axle/Axle Bearings	Synthetic
Linkage Material	Galvanized Steel
Paint Finishes	None

\* W & H dimensions furnished approximately 1/8 in. (3mm) undersize.



## Size Limitations

W x H in. (mm)	Minimum Size 8 x 8 (203 x 203)	Maximum Size
		Single Panel 18 x 18 (457 x 457)



\* 12 in. x 12 in. (305mm x 305mm) and smaller

## Document Links

---

Scan the QR code or click on the name below the QR code.



[INSTALLATION](#)



[SELECTION GUIDE](#)



[CATALOG](#)



[SPECIFICATIONS](#)



[WARRANTY](#)



Greenheck Fan Corporation certifies that the models BD-100 shown herein is licensed to bear the AMCA Seal. The ratings shown are based on tests and procedures performed in accordance with AMCA Publication 511 and comply with the requirements of the AMCA Certified Ratings Program. The AMCA Certified Ratings Seal applies to Air Leakage and Air Performance Ratings.

### Test Information

- Air leakage is based on operation between 32°F and 120°F (0°C and 48°C)
- Tests for air leakage were conducted in accordance with ANSI/AMCA Standard 500-D Figure 5.7B, in the intake direction
- Air performance testing conducted in accordance with ANSI/AMCA Standard 500-D, Figure 5.7B

### Air Leakage

Model BD-100 series dampers leak a maximum of:

- 39 cfm/ft<sup>2</sup> or less at 1.0 inches w.g.

\*Note: This model complies with the International Energy Conservation Code (IECC) and ASHRAE 90.1 leakage requirements for non-motorized dampers.

### Air Performance

Performance data results from testing a 18 in. x 18 in. (457mm x 457mm) damper in accordance with AMCA Standard 500-D using Figure 5.7B. All data has been corrected to represent standard air at 0.075 lb/ft<sup>3</sup> (1.201 kg/m<sup>3</sup>).

### Pressure Drop

18 in. x 18 in. Damper  
(457mm x 457mm)

VELOCITY VS. PRESSURE DROP

