

Application

The CRD-1 is an ETL listed damper designed for protection of ceiling openings in fire rated floor/ceiling assemblies with fire resistance ratings of 3 hours or less. This product can also be applied to steel lay-in style ceiling diffusers up to 24 in. x 24 in. (610mm x 610mm) maximum size when installed with an approved thermal blanket.

Construction

Construction		Standard	Optional
Frame Material		Galvanized steel*	-
Frame Type		Standard	Top, Bottom, or Top/Bottom Extension
Blade Material		Galvanized steel*	-
Closure Device		Fusible link	Volume controller
Fusible Link		165°F (74°C)	212°F (100°C)
Blade Insulation	Under 115.46 sq. in. (74,490 sq. mm)	Not required	-
	Over 115.46 sq. in. (74,490 sq. mm)	Non-asbestos UL classified	-

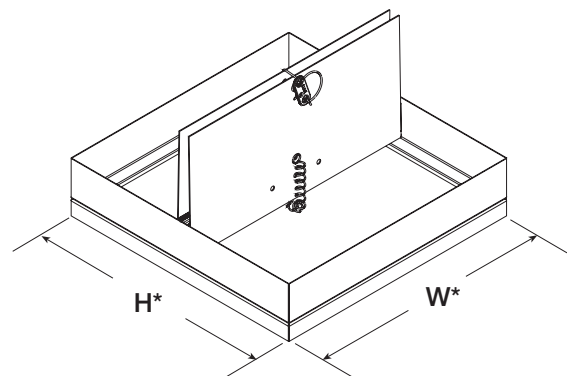
* in gauges required by UL listing R13446



Model CRD-1 meets the requirements for ceiling radiation dampers established by:

- National Fire Protection Association NFPA Standards 90A, and 101
- International Building Codes (IBC)

W & H	Minimum Size	Maximum Size
Inches	4 x 6	24 x 24
mm	101 x 152	610 x 610



*W & H dimensions furnished approximately 1/4 in. (6mm) under size.

Document Links



[INSTALLATION](#)



[CATALOG](#)



[SELECTION GUIDE](#)

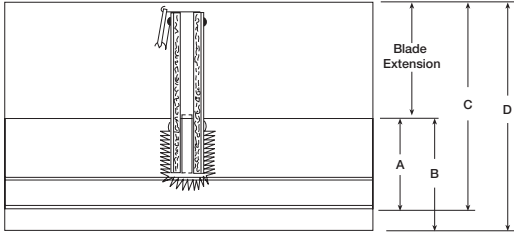


[SPECIFICATIONS](#)



[WARRANTY](#)

Frame Options

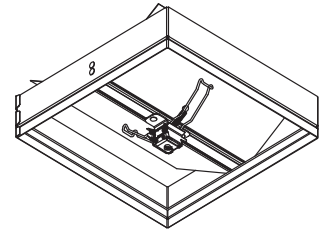


Blade Extension = Nominal Height/2 - 2.375

Frame Option Dimensions					
Damper Model	Height (in.)	A	B	C	D
CRD-1 Standard Frame	6 - 24	2 13/16	-	-	-
CRD-1B Bottom Extension	6 - 24	-	4 3/4	-	-
CRD-1T Top Extension	6 - 10 1/4	-	-	6 3/4	-
	10 1/2 - 16 1/4	-	-	9 3/4	-
CRD-1BT Bottom and Top Extension	6 - 10 1/4	-	-	-	8 7/8
	10 1/2 - 16 1/4	-	-	-	11 7/8
	16 1/2 - 24	-	-	-	14 7/8

Volume Controller Option

A volume controller is used to manually set the blades at a given angle to regulate the airflow (24 in. x 16 in. [610mm x 406mm] maximum). Adjusting the cap screw will open and close the blades.



Thermal Blanket Option

Ceramic fiber or mineral wool thermal blanket available.

