

Application

Model CRD-501 is a round UL 555C classified damper with UL 555S leakage Class I. The CRD-501 has been qualified to 3,000 fpm (15.2 m/s) and 4 in. wg (1 kPa) for operational closure in emergency smoke control situations for use in HVAC applications.

Ratings

Leakage

UL 555S Leakage Class I

Velocity

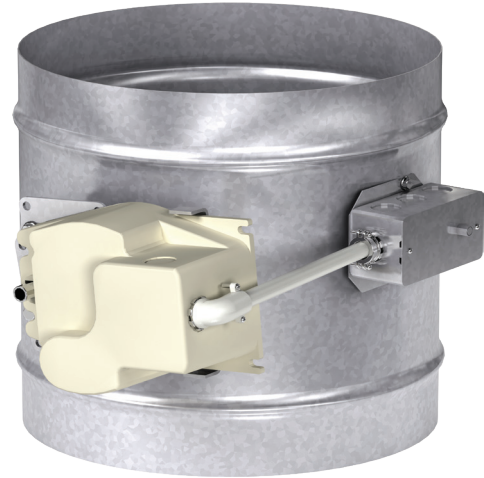
Operational rated up to 3000 fpm (15.2 m/s).

Temperature

Up to 350°F (177°C)

Pressure

Up to 4 in. wg (1 kPa) - differential pressure



Construction

	Standard	Optional
Frame Material	Galvanized steel	-
Frame Thickness	20 ga. (1mm)	-
Blade Material	Double skin galvanized steel	-
Blade Seal	Silicone	-
Blade Thickness	14 ga. (2mm) equivalent	-
Axle Bearings	Bronze	Stainless steel
Axle Material	½ in. (13mm) plated steel	-
Closure Device	RRL	-
Closure Temperature	165°F (74°C)	212°F (100°C)

Size Limitations

Diameter	Minimum	Maximum
in. (mm)	6 in. (152)	12 in. (305)



See complete marking on product.

UL 555S Classification R13317

UL 555C Classification R13446

Model CRD-501 meets the requirements for smoke dampers established by:

National Fire Protection Association

NFPA Standards 92 & 105

International Building Codes (IBC)

California State Fire Marshal (CFSM)

Smoke Leakage Listing (3230 - 0981: 0113)

Document Links



[INSTALLATION](#)



[SELECTION GUIDE](#)



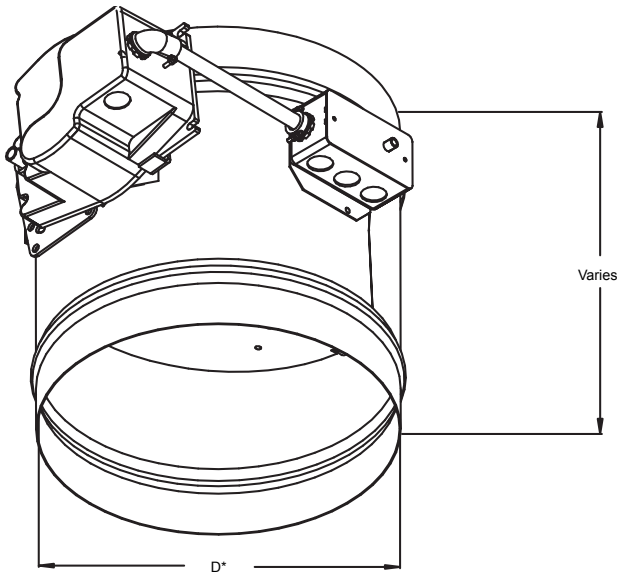
[CATALOG](#)



[SPECIFICATIONS](#)

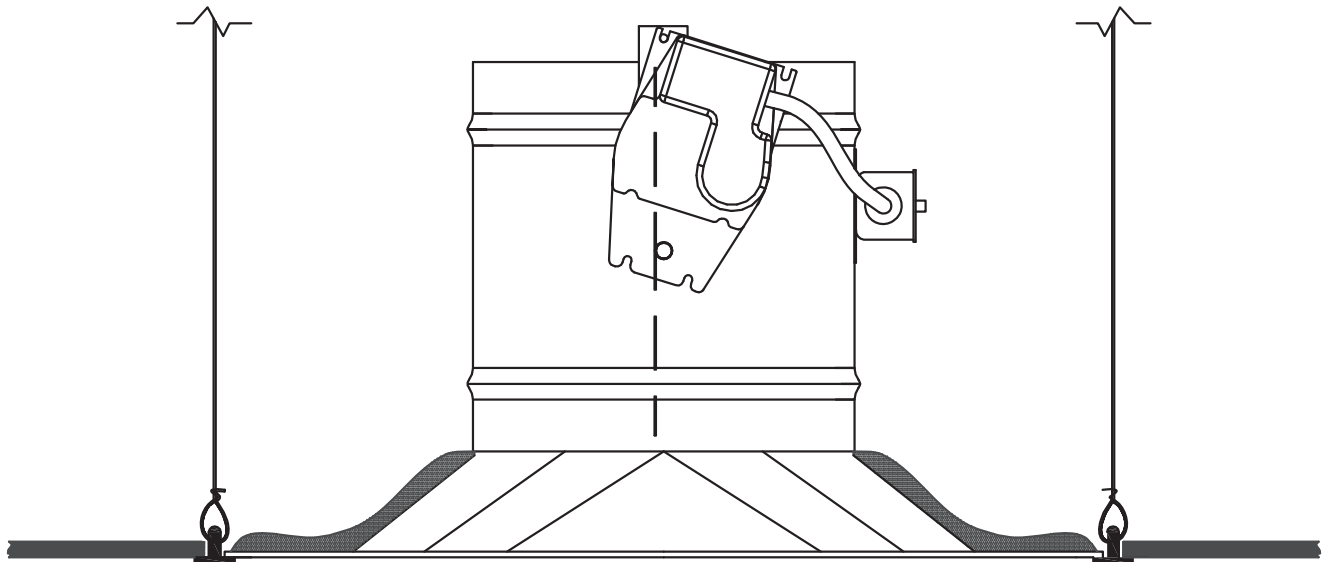


[WARRANTY](#)



Diameter in. (mm)	Frame/sleeve Length in. (mm)
≤7 (177)	9¾ (247)
> 7 and ≤8 (>177 and ≤203)	10¼ (260)
> 8 and ≤9 >203 and ≤228)	10¾ (273)
> 9 and ≤10 (>228 and ≤254)	11¼ (286)
> 10 and ≤11 (> 254 and ≤279)	11¾ (298)
> 11 and ≤12 (> 279 and ≤305)	12¼ (311)

Installation



This is a typical Lay-in Diffuser application. See installation instructions at www.greenheck.com for more application information.