

Adjustable Louver Drainable Blade

Application and Design

EAD-401SM is an adjustable louver designed to protect air intake and exhaust openings in building exterior walls that require tight air shut off. Design incorporates a drainable head member and adjustable drainable blades to channel water to the jambs which guides the water through vertical downspouts for escape at the sill. The EAD-401SM is an extremely efficient louver with **AMCA LICENSED PERFORMANCE DATA** enabling designers to select and apply with confidence.



Standard Construction

Frame Extruded 6063-T5 aluminum, 4 in. x 0.063 in. (10 cm x 1.6 mm) nominal wall thickness

Blades Drainable design, extruded 6063-T5 aluminum, 0.070 in. (1.8 mm) nominal wall thickness

Temperature

Restrictions . . . -20° F (-29° C) to +180° F (+82° C)

Linkage Side linkage, out of airstream (concealed in frame)

Bearings Synthetic sleeve type

Axles ½ in. (1.3 mm) dia. zinc plated steel

Construction . . . Mechanically fastened

Actuator Manual quadrant

Finish Mill

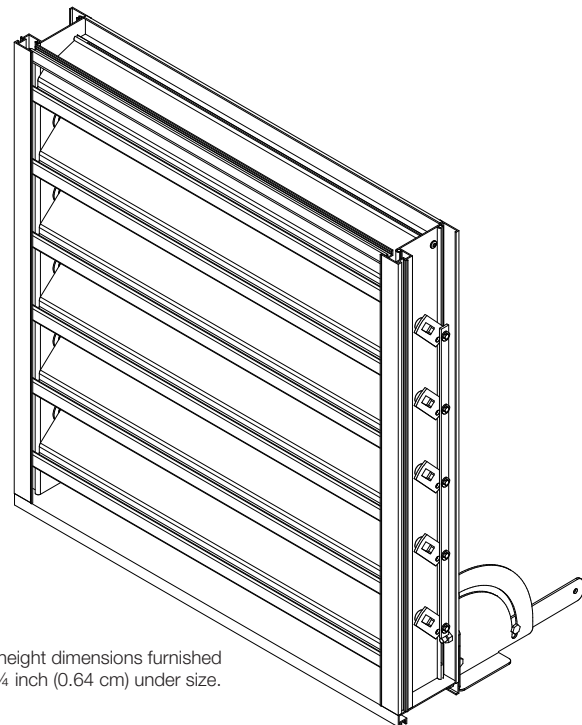
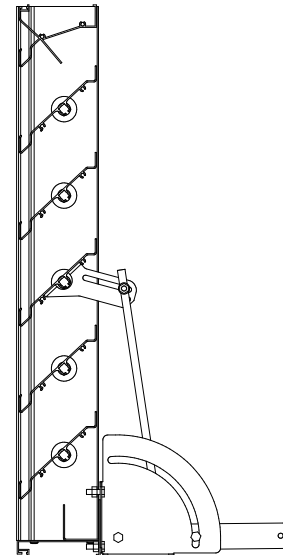
Minimum Size . . 12 in. W x 12 in. H
(30.5 cm W x 30.5 cm H)

Maximum Single

Section Size . . . 48 in. W x 84 in. H
(122 cm W x 122 cm H)

Options (at additional cost)

- Bird screen
- Flange frame



*Width and height dimensions furnished approximately ¼ inch (0.64 cm) under size.


PERFORMANCE DATA

EAD-401SM

Adjustable Louver Drainable Blade
Extruded Aluminum

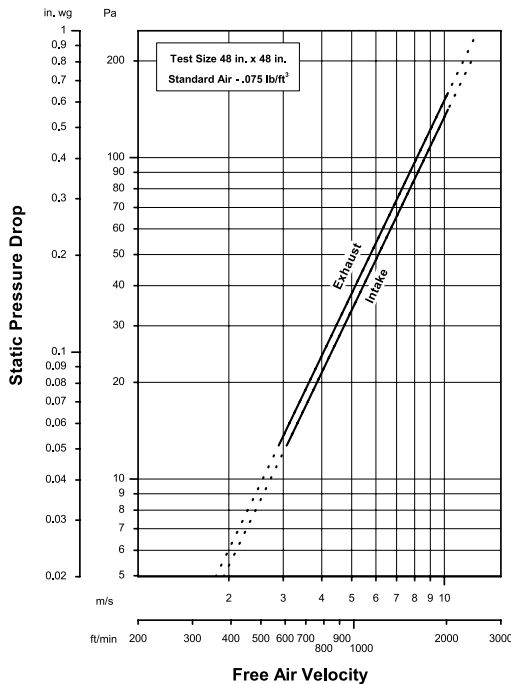
Free Area Chart - Sq. ft. (Sq. m)

Louver Height Inches (m)	Louver Width in Inches (m)						
	12 (0.30)	18 (0.46)	24 (0.61)	30 (0.76)	36 (0.91)	42 (1.07)	48 (1.22)
12 (0.30)	0.34 (0.03)	0.56 (0.05)	0.77 (0.07)	0.99 (0.09)	1.21 (0.11)	1.42 (0.13)	1.64 (0.15)
18 (0.46)	0.48 (0.04)	0.79 (0.07)	1.10 (0.10)	1.40 (0.13)	1.71 (0.16)	2.02 (0.19)	2.32 (0.22)
24 (0.61)	0.75 (0.07)	1.23 (0.11)	1.71 (0.16)	2.18 (0.20)	2.66 (0.25)	3.14 (0.29)	3.61 (0.34)
30 (0.76)	0.74 (0.07)	1.21 (0.11)	1.68 (0.16)	2.15 (0.20)	2.62 (0.24)	3.09 (0.29)	3.56 (0.33)
36 (0.91)	1.16 (0.11)	1.90 (0.18)	2.64 (0.24)	3.37 (0.31)	4.11 (0.38)	4.85 (0.45)	5.59 (0.52)
42 (1.07)	1.43 (0.13)	2.34 (0.22)	3.25 (0.30)	4.15 (0.39)	5.06 (0.47)	5.97 (0.55)	6.87 (0.64)
48 (1.22)	1.57 (0.15)	2.57 (0.24)	3.57 (0.33)	4.57 (0.42)	5.56 (0.52)	6.56 (0.61)	7.56 (0.70)
54 (1.37)	1.84 (0.17)	3.01 (0.28)	4.18 (0.39)	5.34 (0.50)	6.51 (0.61)	7.68 (0.71)	8.85 (0.82)
60 (1.52)	1.98 (0.18)	3.24 (0.30)	4.50 (0.42)	5.76 (0.53)	7.02 (0.65)	8.27 (0.77)	9.53 (0.89)
66 (1.68)	2.25 (0.21)	3.68 (0.34)	5.11 (0.47)	6.54 (0.61)	7.96 (0.74)	9.39 (0.87)	10.82 (1.01)
72 (1.83)	2.52 (0.23)	4.12 (0.38)	5.72 (0.53)	7.32 (0.68)	8.91 (0.83)	10.51 (0.98)	12.11 (1.13)
78 (1.98)	2.66 (0.25)	4.35 (0.40)	6.04 (0.56)	7.73 (0.72)	9.42 (0.87)	11.11 (1.03)	12.79 (1.19)
84 (2.13)	2.93 (0.27)	4.79 (0.45)	6.65 (0.62)	8.51 (0.79)	10.37 (0.96)	12.22 (1.14)	14.08 (1.31)



Greenheck Fan Corporation certifies that the EAD-401SM louvers shown herein are licensed to bear the AMCA Seal. The ratings shown are based on tests and procedures performed in accordance with AMCA Publication 511 and comply with the requirements of the AMCA Certified Ratings Program. The AMCA Certified Ratings Seal applies to air performance and water penetration ratings.

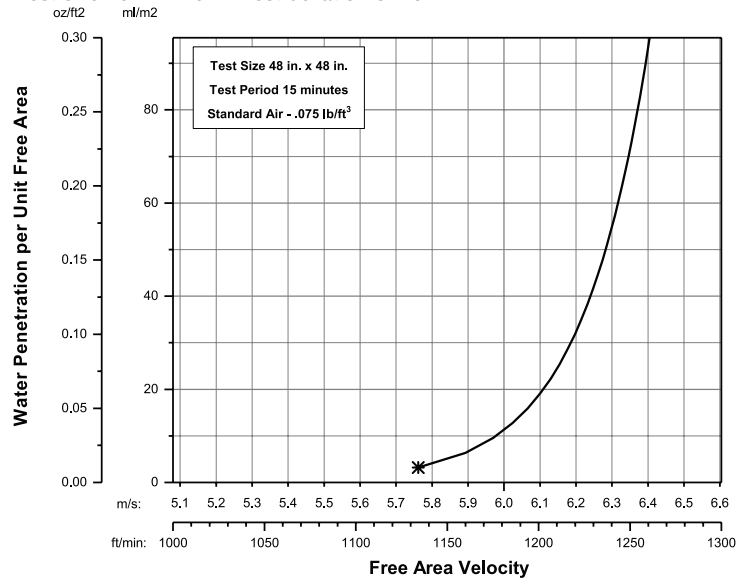
Airflow Resistance (Standard Air - .075 lb/ft³)



Model EAD-401SM resistance to airflow (pressure drop) varies depending on louver application (air intake or air exhaust). Free area velocities (shown) are higher than average velocity through the overall louver size. See louver selection information. (Test Figure 5.5-6.5)

Water Penetration (Standard Air - .075 lb/ft³)

Test size 48 in. x 48 in. Test duration of 15 min.

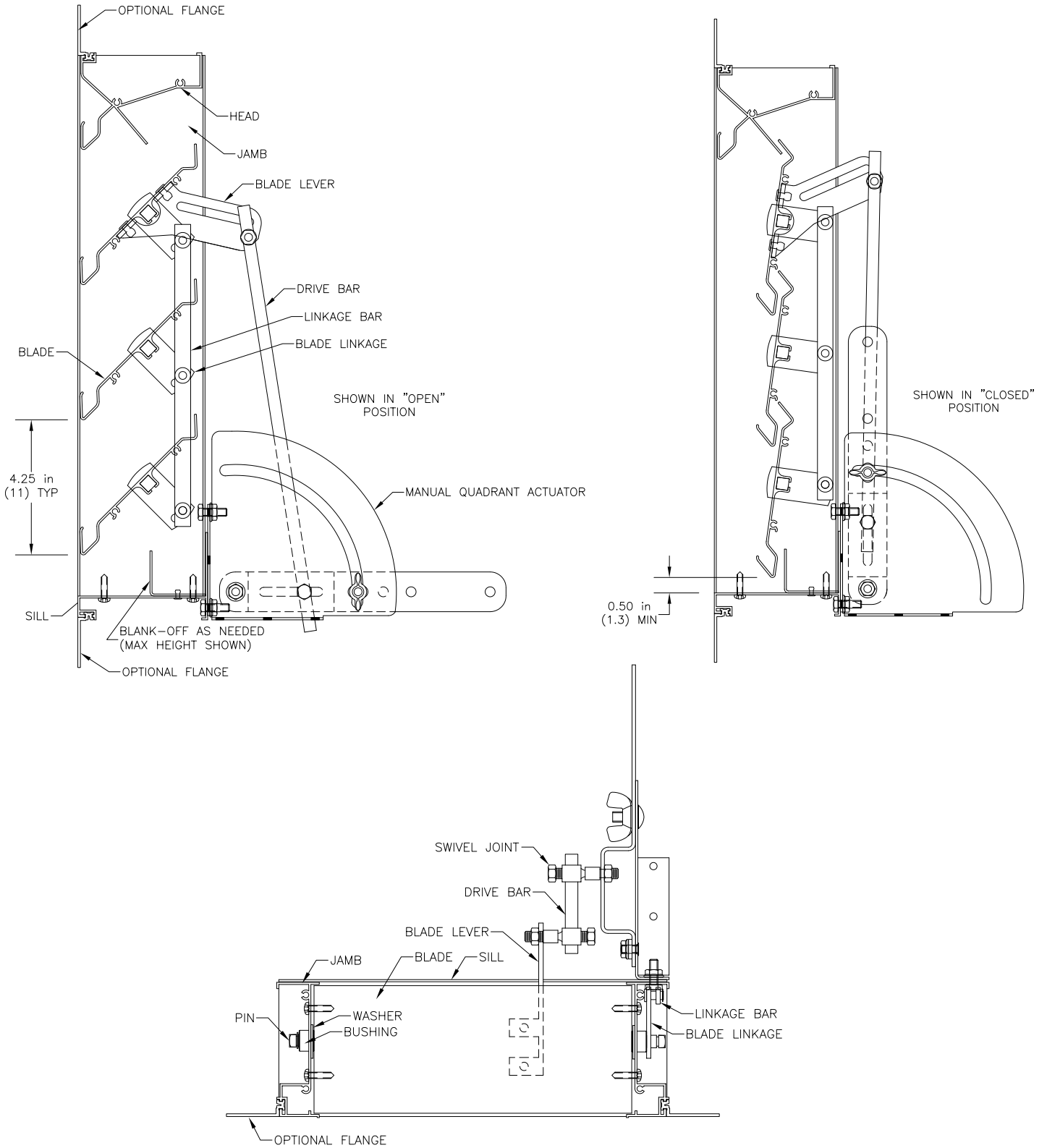


The AMCA Water Penetration Test provides a method for comparing various louver models and designs as to their efficiency in resisting the penetration of rainfall under specific laboratory test conditions. The beginning point of water penetration is defined as that velocity where the water penetration curve projects through .01 oz. of water (penetration) per sq. ft. of louver free area. ***The beginning point of water penetration for Model EAD-401SM is 1135 fpm (5.76 m/s) free area velocity.** These performance ratings do not guarantee a louver to be weatherproof or stormproof and should be used in combination with other factors including good engineering judgement in selecting louvers.

PRODUCT DETAILS

EAD-401SM

Adjustable Louver Drainable Blade
Extruded Aluminum



EAD-401SM
March 2017

Copyright © 2017 Greenheck Fan, S. DE R.L. DE C.V

Greenheck Fan, S. DE R.L. DE C.V reserves the right to make product changes without notice.