

Application

Model FD-100 is a static rated fire damper approved for use in walls and partitions with fire resistance ratings less than 3 hours. This model carries a 1½ hour UL fire damper label. UL 555 classifies static rated fire dampers for use in HVAC systems that are automatically shut down in the event of a fire.

Ratings

UL 555 Fire Resistance Rating

Fire Rating: 1½ hours

Construction	Standard	Optional
Frame Material	Galvanized Steel*	-
Frame Depth	1½ in. (38mm)	-
Blade Material	Galvanized Steel*	-
Closure Spring	Stainless Steel	-
Fusible Link	165°F (74°C)	212°F (100°C)
Mounting	Vertical	-
* in gauges required by UL listing R-13317		



* These dimensions are furnished approximately ¼ in. (6mm) undersize.



See complete marking on product.

UL 555 Classification
R13317

Optional Features

- Extra fusible links
- Flanges
- Grille Tabs
- POC retaining angles
- Sealed transitions (sleeve required) and sleeve
- Sleeves
- Transitions

Model FD-100 meets the requirements for fire dampers established by:

National Fire Protection Association
(NFPA Standards 80, 90A & 101)

Underwriters Laboratories Standard 555 (Listing #R13317)

IBC International Building Codes
California State Fire Marshall
(Listing #3225-981:102 for use in walls)

Installation

All fire damper installations require the use of sleeves, angles, and methods described in Greenheck Fire Damper Installation Instructions (included with every damper shipment). Sleeves can be field fabricated or factory furnished as a complete damper/sleeve assembly.

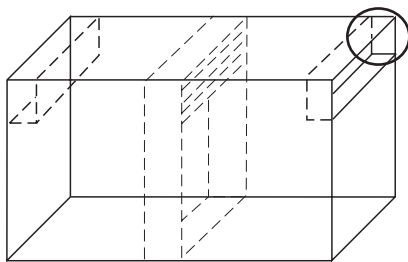
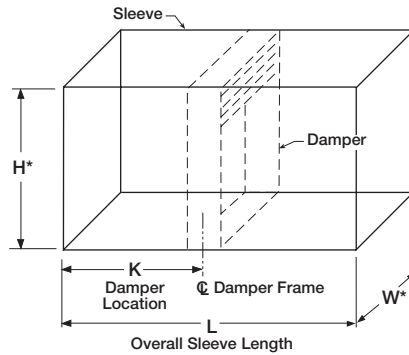
Factory Sleeve Option

FD-100

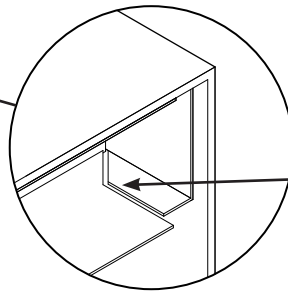
FD-100 fire dampers are available in factory furnished sleeves. Sleeves are galvanized steel and are available in 10 through 20 ga. (1mm - 3.5mm) thicknesses and lengths up to 36 in. (914mm).

"K" dimension specifies location of damper within the sleeve. Minimum is 4 in. (102mm), maximum is "L" less 4 in. (102mm), which allows for mounting angle installation and duct connection at each end of the sleeve. If "K" dimension is not specified, the damper will be centered in the sleeve.

Note: If using access doors, the doors should be installed on the "K" side of the damper.



Type B with sleeve



Type B corner profile

When sealed option is selected, B transitions will need to be field sealed in the area where duct to sleeve connection is made.

Types A & B

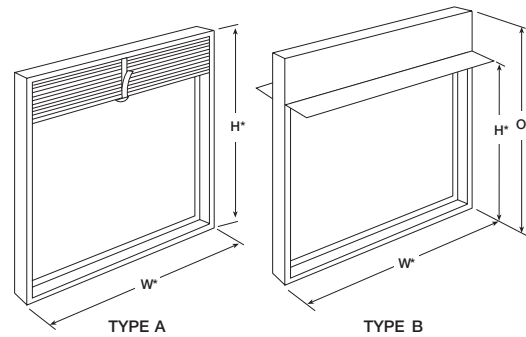
FD-100

Sizing Data

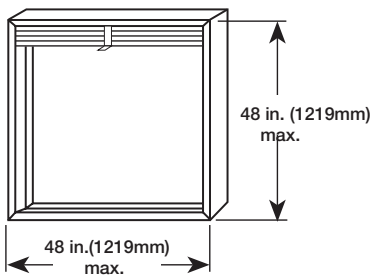
Ultra thin FD-100 models are normally supplied in single section sizes only.

Vertical Mount Only		
Inches (mm)	Type A	Type B, B2
Minimum	4 x 4 (102 x 102)	4 x 3 (102 x 76)
Maximum	48 x 48 (1219 x 1219)	48 x 40 (1219 x 1016)

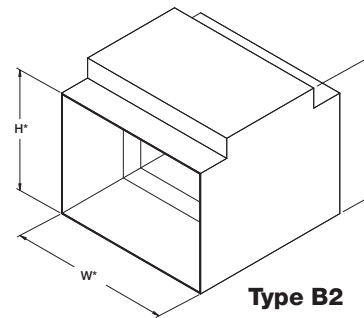
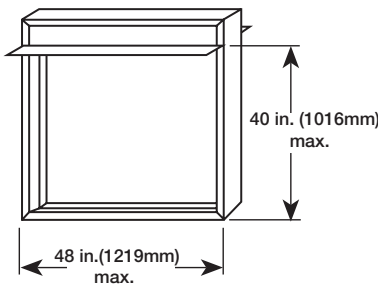
Overall Damper Dimensions



Type A - Maximum Dimensions

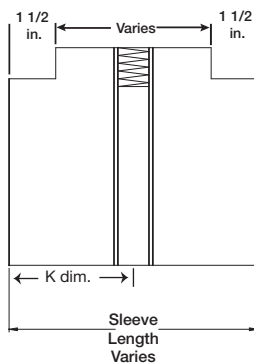


Type B - Maximum Dimensions



Type B2

VERTICAL MOUNT



H*	O*
3 (76)	5 (127)
4 (102)	6 (152)
5 (127)	7 (178)
6 (152)	8 (203)
7 (178)	9 (229)
8 (203)	10 (254)
9 (229)	11 (279)
10 (254)	12 (305)
11 (279)	13 (330)
12 (305)	15 (381)
13 (330)	16 (406)
14 (356)	17 (432)
15 (381)	18 (457)
16 (406)	19 (483)
17 (432)	21 (533)
18 (457)	22 (559)
19 (483)	23 (584)
20 (508)	24 (610)
21 (533)	25 (635)
22 (559)	27 (686)

H*	O*
23 (584)	28 (711)
24 (610)	29 (737)
25 (635)	30 (762)
26 (660)	31 (787)
27 (686)	33 (838)
28 (711)	34 (864)
29 (737)	35 (889)
30 (762)	36 (914)
31 (787)	37 (940)
32 (813)	39 (991)
33 (838)	40 (1016)
34 (864)	41 (1041)
35 (889)	42 (1067)
36 (914)	43 (1092)
37 (940)	45 (1143)
38 (965)	46 (1168)
39 (991)	47 (1194)
40 (1016)	48 (1219)

* Dimension are in inches (mm). These dimensions are furnished approximately 1/4 in. (6mm) undersize.



P.O. Box 410 • Schaffeld, WI 54476-0410 • 715.359.6171 • greenheck.com

Copyright © 2018 Greenheck Fan Corporation
FD-100 Rev. 11 May 2018