

Model FD-300

Static Rated Fire Dampers
Ultra Thin Construction
3 Hour Fire Resistance Rating

Application

Model FD-300 is a static rated fire damper approved for use in walls and partitions with fire resistance ratings of 3 hours or more. This model carries a 3 hour UL fire damper label. UL 555 classifies static rated fire dampers for use in HVAC systems that are automatically shut down in the event of a fire.

Ratings

UL 555 Fire Resistance Rating

Fire Rating: 3 hours



* These dimensions are furnished approximately ¼ in. (6mm) undersize.

Construction	Standard	Optional
Frame Material	Galvanized Steel*	-
Frame Depth	1½ in. (38mm)	-
Blade Material	Galvanized steel*	-
Closure Spring	Stainless Steel	-
Fusible Link	165°F (74°C)	212°F (100°C)
Mounting	Vertical	-
* in gauges required by UL listing R-13317		

Optional Features

- Security bars
- One piece retaining angles (POC)
- Transitions (B & B2)



See complete marking on product.

UL 555 Classification
R13317

Model FD-300 meets the requirements for fire dampers established by:

National Fire Protection Association

(NFPA Standards 80, 90A & 101)

Underwriters Laboratories Standard 555 (Listing #R13317)

IBC International Building Codes

California State Fire Marshall

(Listing #3225-981:102)

Installation

All fire damper installation require the use of sleeves, angle, and methods described in Greenheck Fire Damper Installation Instructions. Sleeves can be field fabricated or factory furnished as a complete damper/sleeve assembly.

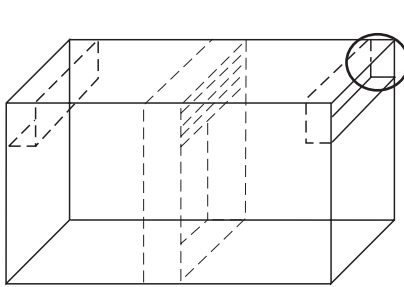
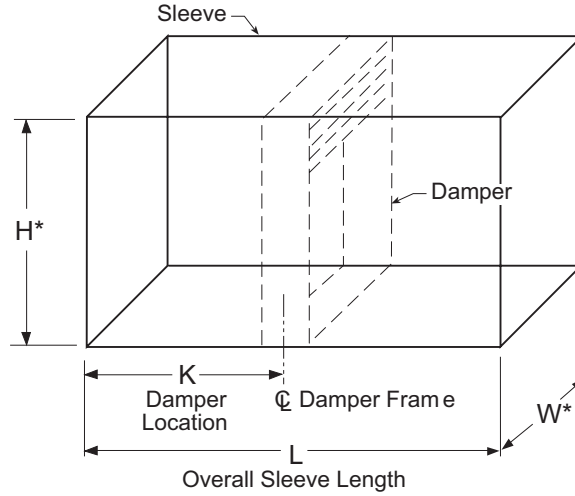
Factory Sleeve Option

FD-300

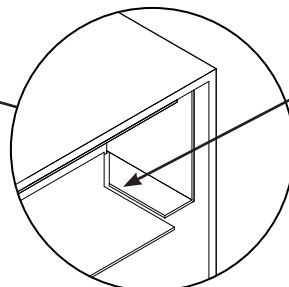
FD-300 fire dampers are available in factory furnished sleeves. Sleeves are galvanized steel and are available in 10 through 20 ga. (1mm - 3.5mm) thicknesses and lengths up to 36 in. (914mm).

"K" dimension specifies location of damper within the sleeve. Minimum is 4 in. (102mm), maximum is "L" less 4 in. (102mm), which allows for mounting angle installation and duct connection at each end of the sleeve. If "K" dimension is not specified, it will be provided as one half of "L" dimension (damper centered in sleeve).

Note: If using access doors, the doors should be installed on the "K" side of the damper.



Type B with sleeve



Type B corner profile

When sealed option is selected, B transitions will need to be field sealed in the area where duct to sleeve connection is made.

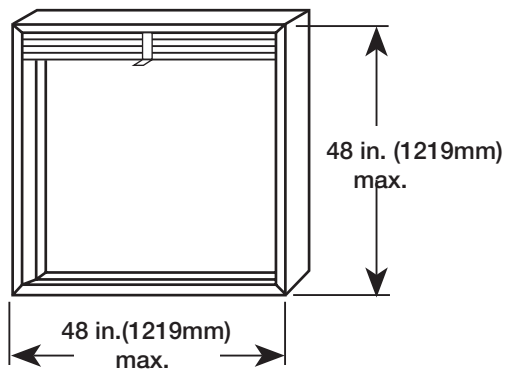
Types A, B & B2

FD-300

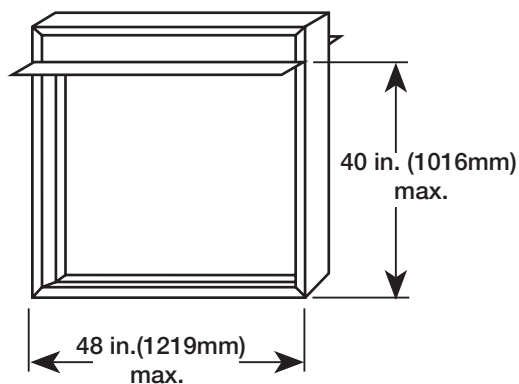
Ultra thin FD-300 models are normally supplied in single section sizes only.

Vertical Mount Only		
Inches (mm)	Type A	Type B or B2
Minimum	4 x 4 (102 x 102)	4 x 3 (102 x 76)
Maximum	48 x 48 (1219 x 1219)	48 x 40 (1219 x 1016)

Type A - Maximum Dimensions

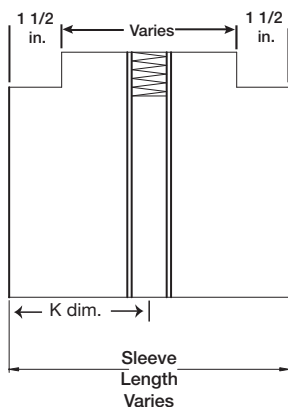


Type B - Maximum Dimensions

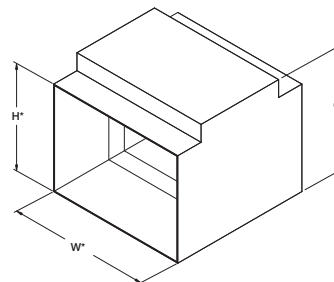
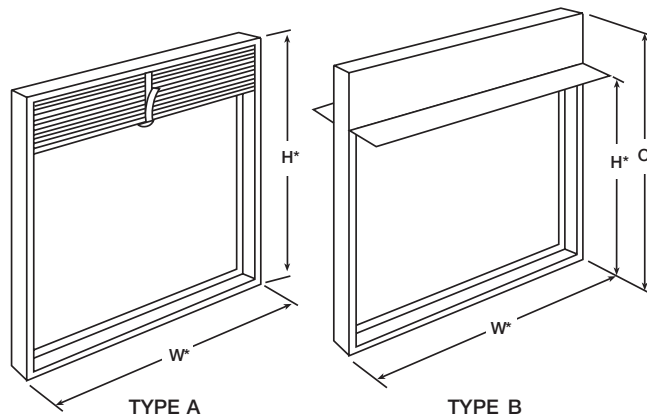


Type B2

VERTICAL MOUNT



Overall Damper and Blade Stack Dimensions



Type B2

Type B & B2 Overall Damper Dimensions

H*	O*
3 (76)	5 (127)
4 (102)	6 (152)
5 (127)	7 (178)
6 (152)	8 (203)
7 (178)	9 (229)
8 (203)	10 (254)
9 (229)	11 (279)
10 (254)	12 (305)
11 (279)	13 (330)
12 (305)	15 (381)
13 (330)	16 (406)
14 (356)	17 (432)
15 (381)	18 (457)
16 (406)	19 (483)
17 (432)	21 (533)
18 (457)	22 (559)
19 (483)	23 (584)
20 (508)	24 (610)
21 (533)	25 (635)

H*	O*
22 (559)	27 (686)
23 (584)	28 (711)
24 (610)	29 (737)
25 (635)	30 (762)
26 (660)	31 (787)
27 (686)	33 (838)
28 (711)	34 (864)
29 (737)	35 (889)
30 (762)	36 (914)
31 (787)	37 (940)
32 (813)	39 (991)
33 (838)	40 (1016)
34 (864)	41 (1041)
35 (889)	42 (1067)
36 (914)	43 (1092)
37 (940)	45 (1143)
38 (965)	46 (1168)
39 (991)	47 (1194)
40 (1016)	48 (1219)

* Dimension are in inches (mm). These dimensions are furnished approximately 1/4 in. (6mm) undersize.



Copyright © 2018 Greenheck Fan Corporation

FD-300 Rev. 10 May 2018