

Pressure Blowers Model FPB



*Commercial &
Industrial Applications*



BUILDING VALUE IN AIR.

August
2008

Model FPB

Model FPB pressure blowers are suitable for clean air exhaust or supply applications. They utilize radial aluminum blade wheels to provide peak performance for systems that require low flow and high-pressure. FPB pressure blowers are designed with a totally rotatable steel scroll with a baked polyester coating and are available in five sizes (70-150).



Construction Features:

- Steel housing and frame with a baked polyester coating
- Aluminum wheel statically and dynamically balanced
- Spark-resistant construction
- Radial wheel type
- Direct drive arrangement 4
- Rotatable steel scroll
- Sizes 70, 90, 100, 120, and 150

Accessories:

- Inlet flange
- Inlet guard
- Outlet flange
- Outlet guard

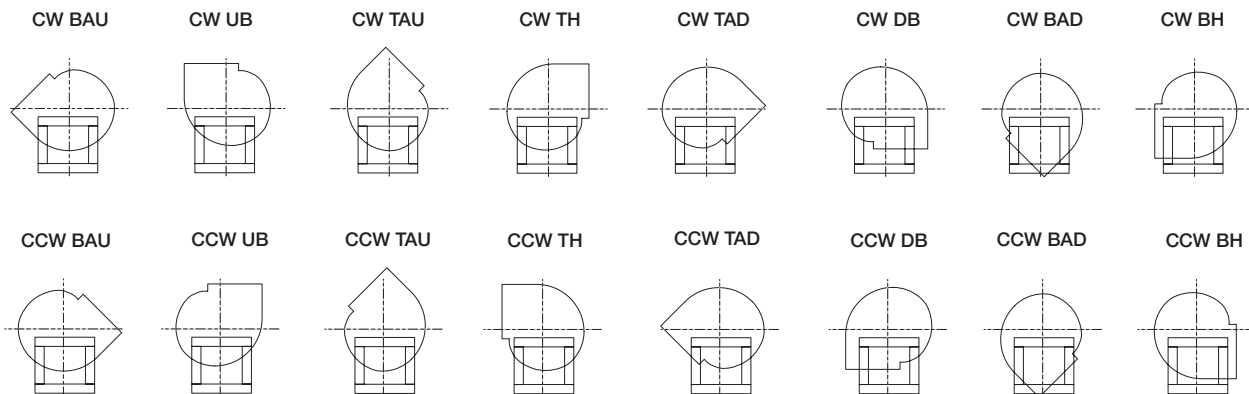
Performance Capabilities:

- Volume from 200-2,500 cfm (240-4,250 m³/hr)
- Maximum static pressure - 10 in. wg (2.5 KPa)
- Available in full width (F) and partial width (H) models for modified performance

Applications:

- Cabinet or room pressurization
- Blow-off systems for moisture removal
- Combustion air for burners
- Parts cooling
- Fume exhaust

Discharge Positions



Fan housing is rotatable to accommodate all discharge positions and fan rotations (CW & CCW)

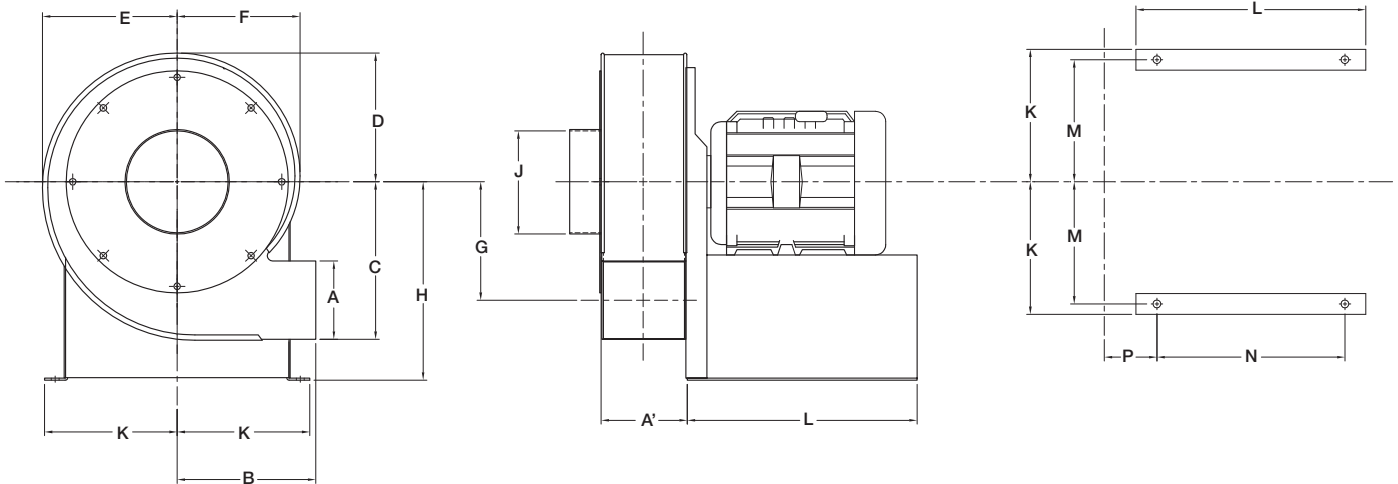
Computer Aided Product Selection Program – CAPS

All Greenheck products are supported by the industry's best product literature, electronic media, and Computer Aided Product Selection program, CAPS. Online, you can also find electronic copies of our product literature as well as storage, installation and maintenance information in our Installation and Operation Manuals (IOM).

And, of course, you can always count on the personal service and expertise of our national and international representative organization. To locate your nearest Greenheck representative call 715-359-6171 or visit our website at www.greenheck.com



Dimensional and Performance Data



Dimensional Data

Model Number	Wheel Dim.	A	A'	B	C	D	E	F	G	H	J	K	L	M	N	P
FPB-70	7 ¹ / ₁₆ X 2 ¹ / ₂	3.38	3.50	5.63	6.31	5.19	5.41	4.94	4.63	8.25	4.00	5.59	8.00	5.09	6.00	2.81
FPB-90	9 ⁹ / ₁₆ X 3	3.75	4.03	6.63	7.55	6.19	6.91	5.88	5.66	9.50	5.00	6.34	11.00	5.84	9.00	5.09
FPB-100	10 ⁵ / ₁₆ X 4	4.00	5.03	7.63	8.75	7.13	7.91	6.81	6.75	10.75	6.00	7.08	11.00	6.58	9.00	3.58
FPB-120	12 ³ / ₁₆ X 4	5.00	5.16	9.00	10.00	8.16	8.55	7.80	7.50	12.00	7.00	7.95	13.00	7.45	11.00	3.64
FPB-150	15 X 3	8.81	4.16	10.50	12.36	10.03	10.50	9.58	8.31	14.25	10.00	9.70	13.00	9.08	10.50	3.44

Model Number	Fan Size	Fan RPM	Motor HP	Max BHP	Max CFM	Total Weight (lbs)
FPB-70F-M5	7 ¹ / ₁₆ X 2 ¹ / ₂	3500	0.5	0.33	398	37
FPB-90H-M10	9 ⁹ / ₁₆ X 3	3500	1.0	0.77	627	56
FPB-90F-M10	9 ⁹ / ₁₆ X 3	3500	1.0	0.92	705	56
FPB-100H-M20	10 ⁵ / ₁₆ X 4	3500	2.0	1.80	1087	68
FPB-100F-M20	10 ⁵ / ₁₆ X 4	3500	2.0	2.12	1196	68
FPB-120H-M50	12 ³ / ₁₆ X 4	3500	5.0	3.69	1614	150
FPB-120F-M50	12 ³ / ₁₆ X 4	3500	5.0	4.21	1744	150
FPB-150H-M100	15 X 3	3500	10	7.92	2284	247
FPB-150F-M100	15 X 3	3500	10	9.82	2693	247

Note: All parameters are for conditions at 3500 rpm and 60Hz.
 All dimensions are in inches.
 Total weight includes the totally enclosed motor.

Performance Data

Model Number	STATIC PRESSURE (in. wg)																					
	0.00		1.00		2.00		3.00		4.00		5.00		6.00		7.00		8.00		9.00		10.0	
	CFM	BHP	CFM	BHP	CFM	BHP	CFM	BHP	CFM	BHP	CFM	BHP	CFM	BHP	CFM	BHP	CFM	BHP	CFM	BHP	CFM	BHP
FPB-70F-M5	398	0.33	341	0.30	285	0.27	217	0.23	124	0.16												
FPB-90H-M10	627	0.77	568	0.72	512	0.67	449	0.62	382	0.56	298	0.48										
FPB-90F-M10	705	0.92	640	0.85	573	0.76	509	0.70	430	0.61	337	0.51										
FPB-100H-M20	1087	1.80	1017	1.71	947	1.63	878	1.55	791	1.43	704	1.32	601	1.18	482	1.00						
FPB-100F-M20	1196	2.12	1119	2.01	1048	1.92	974	1.81	893	1.68	795	1.53	684	1.36	542	1.17						
FPB-120H-M50	1614	3.69	1528	3.55	1450	3.41	1371	3.27	1289	3.13	1200	2.97	1099	2.80	977	2.58	829	2.34	647	2.02		
FPB-120F-M50	1744	4.21	1660	4.00	1573	3.80	1485	3.60	1392	3.39	1286	3.16	1171	2.96	1045	2.75	901	2.51	716	2.21	456	1.72
FPB-150H-M100	2284	7.92	2201	7.68	2119	7.45	2038	7.23	1951	6.99	1862	6.75	1761	6.45	1655	6.12	1545	5.78	1428	5.41	1305	5.03
FPB-150F-M100	2693	9.82	2592	9.38	2493	9.00	2396	8.66	2289	8.29	2180	7.92	2067	7.55	1947	7.16	1820	6.77	1687	6.44	1554	6.10

Specifications

General:

- Base fan performance at standard conditions (density 0.075 lb/ft³).
- Each fan shall be direct drive in AMCA arrangement 4 according to drawings.
- After fabrication, all carbon steel housing, motor support, and wheel components shall be cleaned and chemically treated to insure proper removal of grease, oil, scale, etc. Fan shall be coated with a minimum of 2-4 mils of electrostatically applied and baked polyester urethane. Finish color shall be black.

Housing:

- Fan housing is to be aerodynamically designed with high-efficiency inlet, engineered to reduce incoming air turbulence.
- The housings on all fan sizes shall be manufactured of steel. Housing wraps and *sideplates* to have lockseam construction.
- Fan outlet shall be of slip fit construction with the option of a punched flange.

Wheel:

- The fan wheel shall be of the radial type. Wheels shall be statically and dynamically balanced.
- Fan wheel shall be manufactured with aluminum blades that are riveted to the aluminum inlet and backplates.
- The wheel and fan inlet shall be carefully matched and shall have precise running tolerances for maximum performance and operating efficiency.

Motor and Drives:

- Motors shall meet EPACT (Energy Policy ACT) efficiencies. Motors to be NEMA T-frame, 3600 rpm (2 pole), and Totally Enclosed Fan Cooled (TEFC) with a 1.15 service factor.
- Fan construction to be arrangement 4 direct drive with the radial wheel attached directly to the motor shaft.



Building Value in Air

Greenheck delivers value to mechanical engineers by helping them solve virtually any air quality challenges their clients face with a comprehensive selection of

top quality, innovative air-related equipment. We offer extra value to contractors by providing easy-to-install, competitively priced, reliable products that arrive on time.

And building owners and occupants value the energy efficiency, low maintenance and quiet dependable operation they experience long after the construction project ends.

Our Commitment

As a result of our commitment to continuous improvement, Greenheck reserves the right to change specifications without notice.

Specific Greenheck product warranties are located on greenheck.com within the product area tabs and in the Library under Warranties.



Prepared to Support Green Building Efforts

