

Application

Model MBDR-50 is a round manual balancing damper designed to regulate flow of the air in a HVAC system. They are not intended to be used in applications as a positive shut off or for automatic control.

Ratings

Pressure
Up to 1 in. wg (0.25 kPa) - pressure differential
Velocity
Up to 2000 fpm (0.2 m/s)
Temperature
Up to 180°F (82°C)

Construction

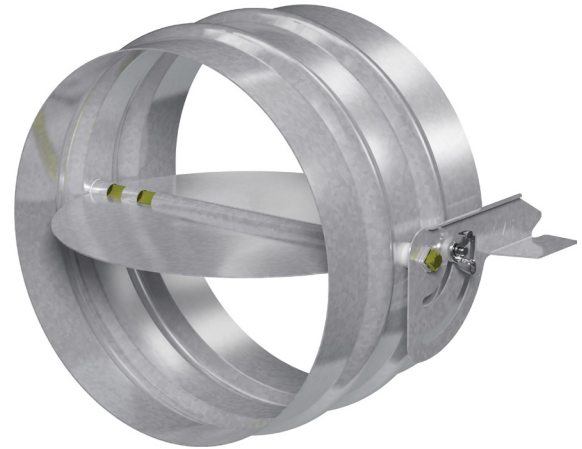
	Standard	Optional
Frame Material	Galvanized steel	
Frame Thickness	20 ga. (1mm)	
Blade Material	Galvanized steel	
Axle Bearings	Synthetic (acetal) sleeve	
Axle Material	Plated steel	
Operator	3/8 in. (10mm) sq. Locking manual quadrant	Cable Operator

Size Limitations

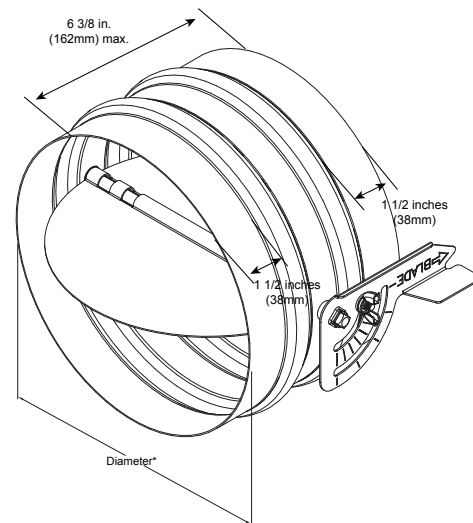
Diameter	Minimum	Maximum
in. (mm)	4 in. (102)	24 in. (610)

Options and Accessories

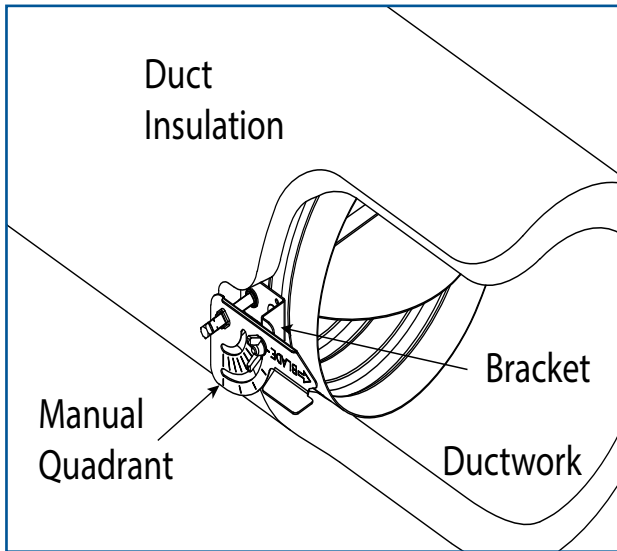
- 1½ in. (38mm) stand off bracket (with extended pin) to accommodate for the thickness of external duct insulation
- 2 in. (51mm) stand off bracket
- Cable Operator
 - Round Ceiling Cup or Square Wall/Ceiling Plate
 - 3, 6, or 9 ft (.9, 1.8, 2.7 m) cable length



*D dimension furnished approximately 1/8 in. (3mm) undersize.

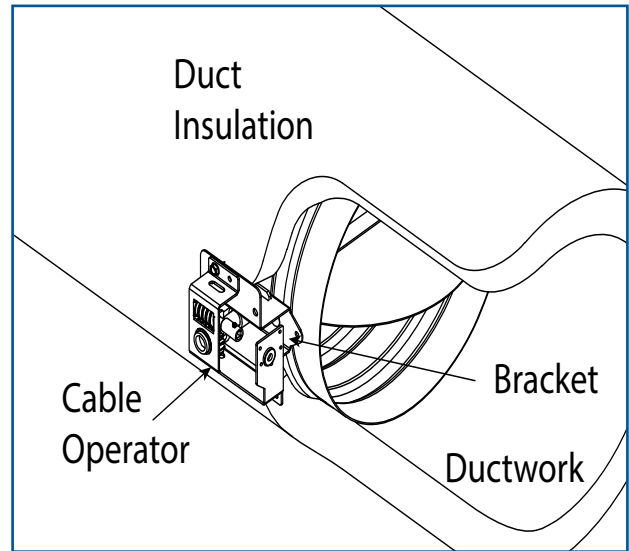


Stand-off Bracket



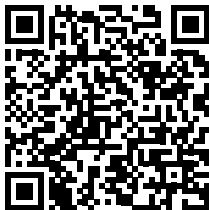
Cable Operator - Optional

Cable operator is an option with either a round ceiling cup or square wall/ceiling plate design. Cable lengths are offered in 3, 6, or 9 ft (.9, 1.8, 2.7 m).



Document Links

[Installation Instructions](#)



[HVAC Control and Balancing
Dampers Catalog](#)



[Specifications](#)



[Warranty](#)



[Interactive Damper Selection Guide](#)

