

Application

Greenheck's NEMA 3 / 4 / 4X enclosure is designed to be used on Belimo, Siemens, or Honeywell direct actuators. This enclosure can be used on internal or external mount actuators.

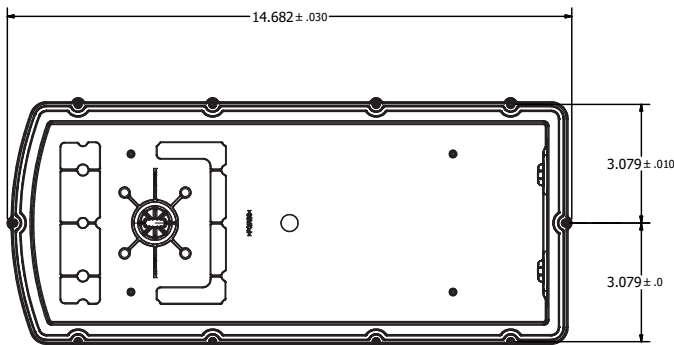
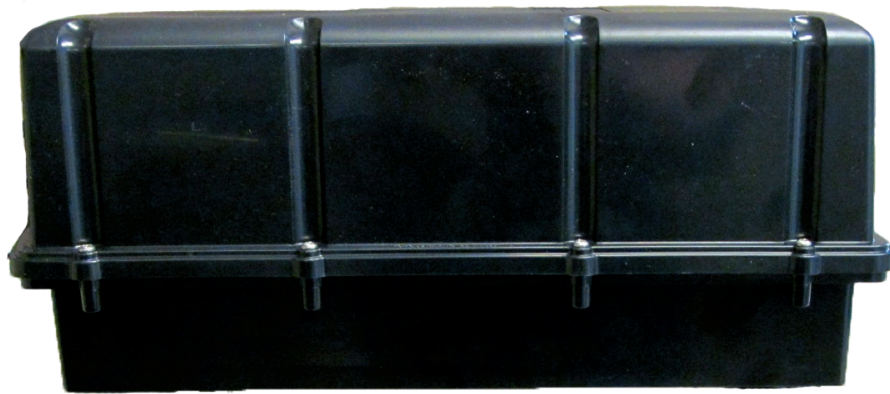
Temperature: Up to 200°F (93°C)

NEMA Enclosure Rating

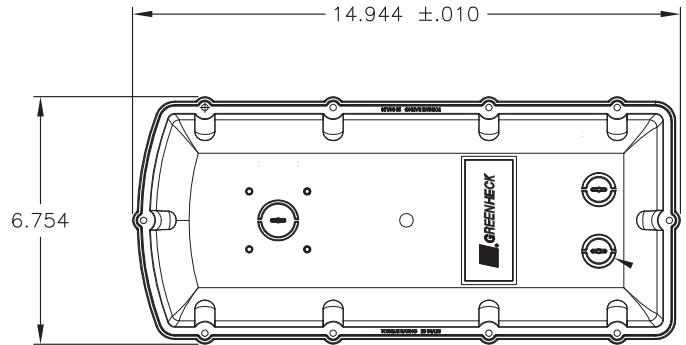
NEMA 3 enclosure are constructed for indoor or outdoor use to provide protection against falling dirt, rain, sleet, snow, and windblown dust; and that will be undamaged by the external formation of ice on the enclosure.

NEMA 4 includes all the NEMA 3 protection plus plus splashing water, and hose-directed water.

NEMA 4X includes all the NEMA 3 and 4 protection plus corrosion protection.



NEMA Base



NEMA cover