

### Application

Model RBD-10 is a remote powered balancing damper designed to regulate the flow of air in a HVAC system. This balancing damper is ideal for applications where it is difficult to get access to manually adjust the dampers and balance the airflow. The 'EZ Balance' hand held remote (equipped with 9 volt power supply) operates the damper actuator when connected to the diffuser connector or wall/ceiling plate.

### Ratings

#### Pressure

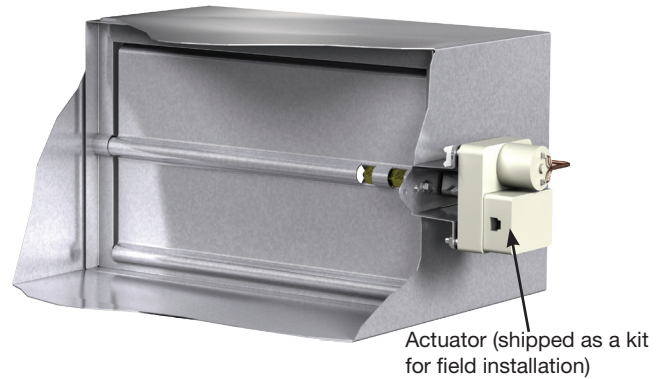
Up to 1 in. wg (.25 kPa) - pressure differential

#### Velocity

Operational rated up to 2000 fpm (10.2 m/s)

#### Temperature

Maximum: 180°F (82°C)



\*W & H dimension furnished approximately ¼ in. (6mm) undersize.

### Construction

	Standard
Frame Material	Galvanized Steel
Frame Thickness	22 ga. (0.9mm)
Blade Material	Galvanized Steel
Blade Action	Opposed
Blade Thickness	20 ga. (1mm)
Axles	Integral ½ in. (13mm) dia.
Axle Bearings	Synthetic (acetal) sleeve
Operator	9 volt actuator (shipped as a kit for field installation)

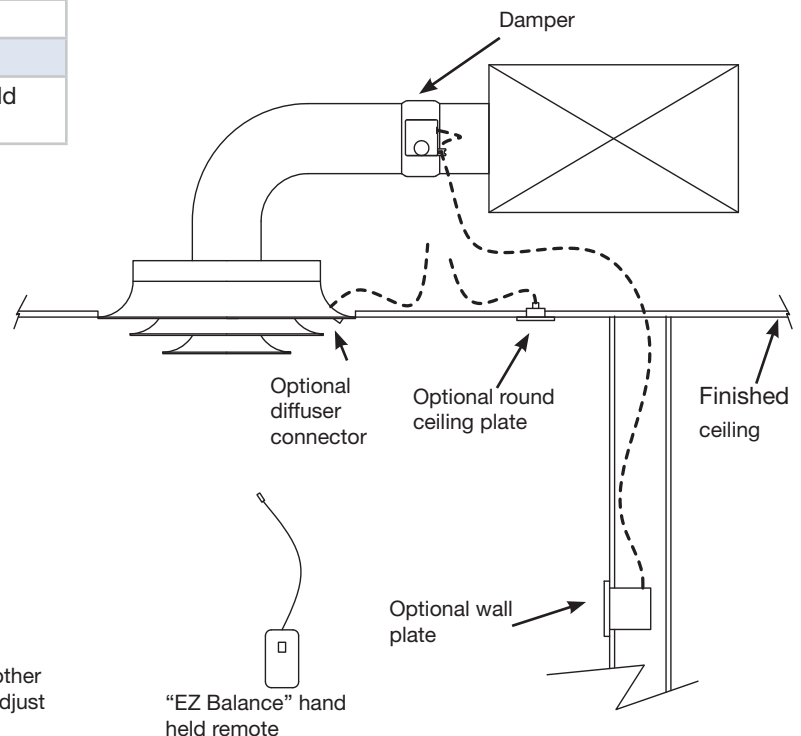
### Size Limitations

Diameter	Minimum Size	Maximum Size
Inches	6 x 4	36 x 12
mm	152 x 102	914 x 305

#### Note:

All wire connections are made with prewired RJ11 plugs and sockets. No additional wiring or tools required.

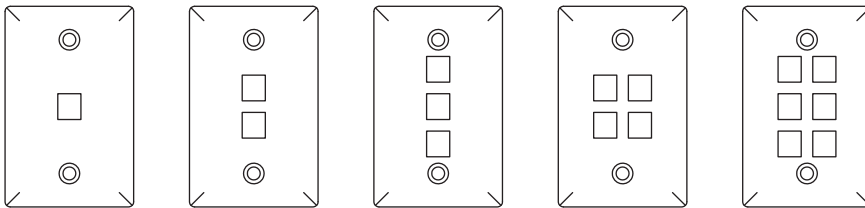
Note: Utilizing any controller other than 'EZ Balance' remote to adjust the RBD-10 damper voids the actuator warranty.



## Accessories

- Diffuser connectors
- Single gang wall plates with ports (1,2, 3, 4 or 6 port)
  - Colors: white, or stainless steel
- Round wall/ceiling mounting plate with one port
- Single gang outlet box
- 'EZ Balance' remote control device (9 volt battery and 5 foot (1524mm) of cable included)
- 5, 14, 25 or 50 foot (1524, 4267, 7620 or 15,240mm) plenum rated cable
- Cable connectors

Wall plates with ports



One Port

Two Ports

Three Ports

Four Ports

Six Ports

White wall plate dimension is 3¼ in. x 4¾ in. (83mm x 121mm).

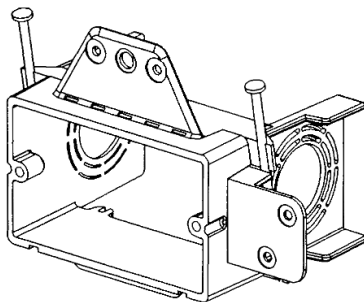
Stainless steel wall plate dimension is 2¾ in. x 4½ in. (70mm x 114mm).

Round wall/ceiling plate

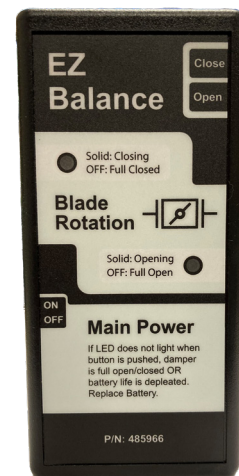


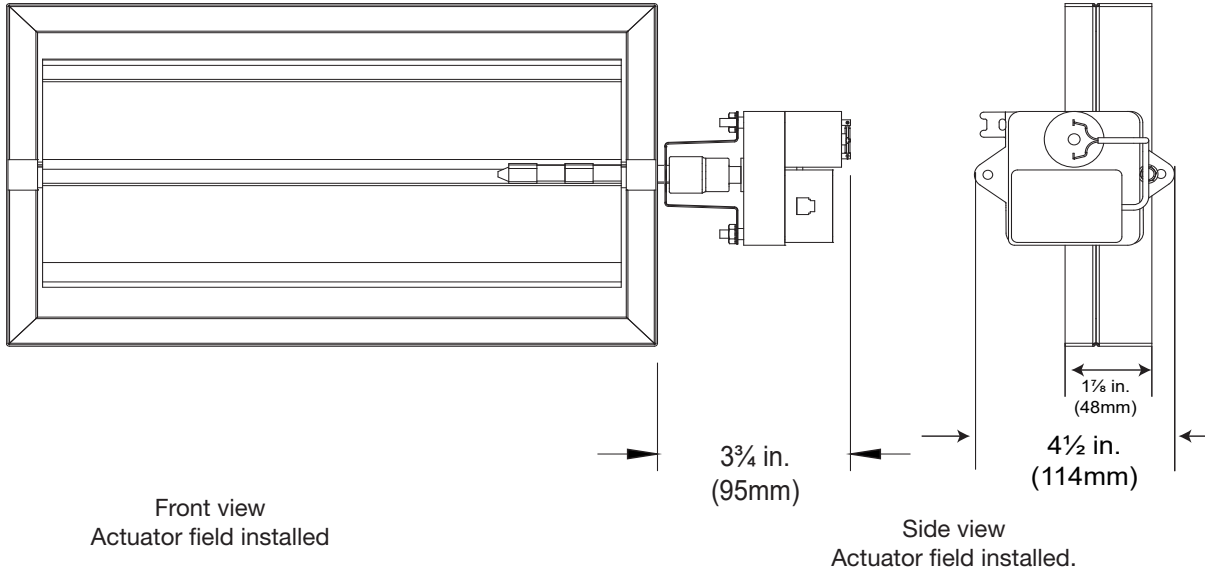
3¼ in. (83mm) diameter

Single gang box



EZ Balance remote





## Document Links

[Instruction Manuals](#)

[HVAC Control and Balancing Damper Catalog](#)

[Specifications](#)



[Interactive Damper Selection Guide](#)

[Warranty](#)

