

## Application

Model RBDR-50 is a round remote powered balancing damper designed to regulate the flow of air in a HVAC system. This balancing damper is ideal for applications where it is difficult to get access to manually adjust the dampers and balance the airflow.

The 'EZ Balance' hand held remote (equipped with 9 volt power supply) operates the damper actuator when connected to the diffuser connector or wall/ceiling plate.

## Ratings

### Pressure

1 in. wg (0.25 kPa) - pressure differential

### Velocity

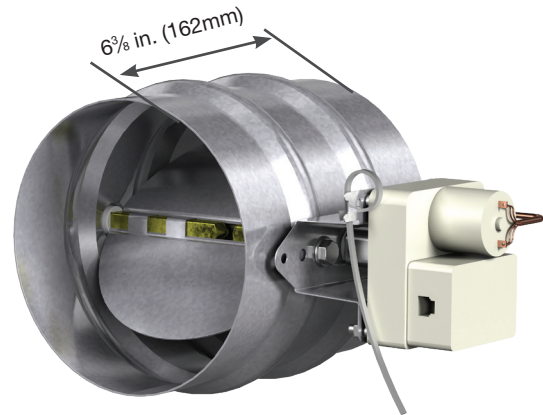
Operational rated up to 2000 fpm (10.2 m/s)

### Temperature

Maximum: 180°F (82°C)

## Construction

	Standard
<b>Frame Material</b>	Galvanized Steel
<b>Frame Thickness</b>	20 ga. (1mm)
<b>Blade Material</b>	Galvanized Steel
<b>Blade Thickness</b>	20 ga. (1mm)
<b>Axles</b>	3/8 in. sq. (10mm) Plated Steel
<b>Bearings</b>	Synthetic (acetal) Sleeve Type
<b>Operator</b>	9 Volt Actuator



Diameter dimension is furnished approximately 1/8 in. (3mm) undersize.

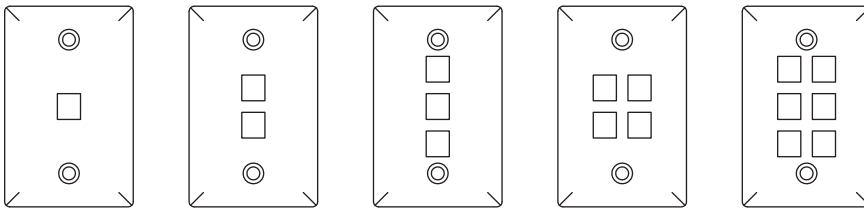
## Size Limitations

Diameter	Minimum Size	Maximum Size
<b>Inches</b>	4	24
<b>mm</b>	102	610

## Accessories

- Diffuser connectors
- Single gang wall plates with ports (1,2, 3, 4 or 6 port)
  - Colors: white, or stainless steel
- Round wall/ceiling mounting plate with one port
- Single gang outlet box
- 'EZ Balance' remote control device (9 volt battery and 5 foot (1524mm) of cable included)
- 5, 14, 25 or 50 foot (1524, 4267, 7620 or 15,240mm) plenum rated cable
- Cable connectors

### Wall plates with ports



One Port

Two Ports

Three Ports

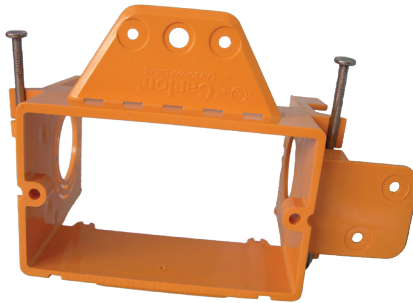
Four Ports

Six Ports

White wall plate dimension is 3¼ in. x 4¾ in. (83mm x 121mm).

Stainless steel wall plate dimension is 2¾ in. x 4½ in. (70mm x 114mm).

### Single gang box



### Round wall/ceiling plate



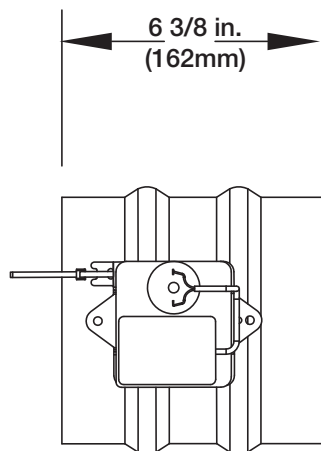
3¼ in. (83mm) diameter

### EZ Balance remote



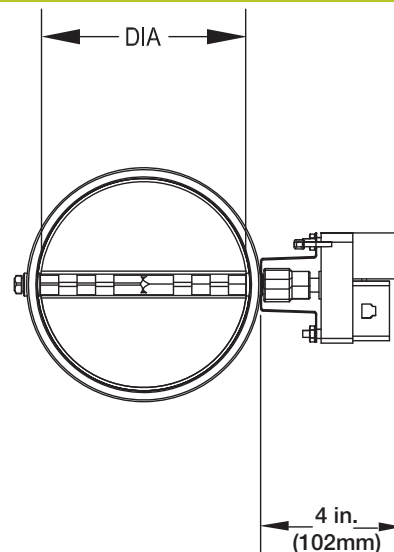
## Dimensional Drawings

anti strain wire tie to secure cable to actuator bracket



Side View

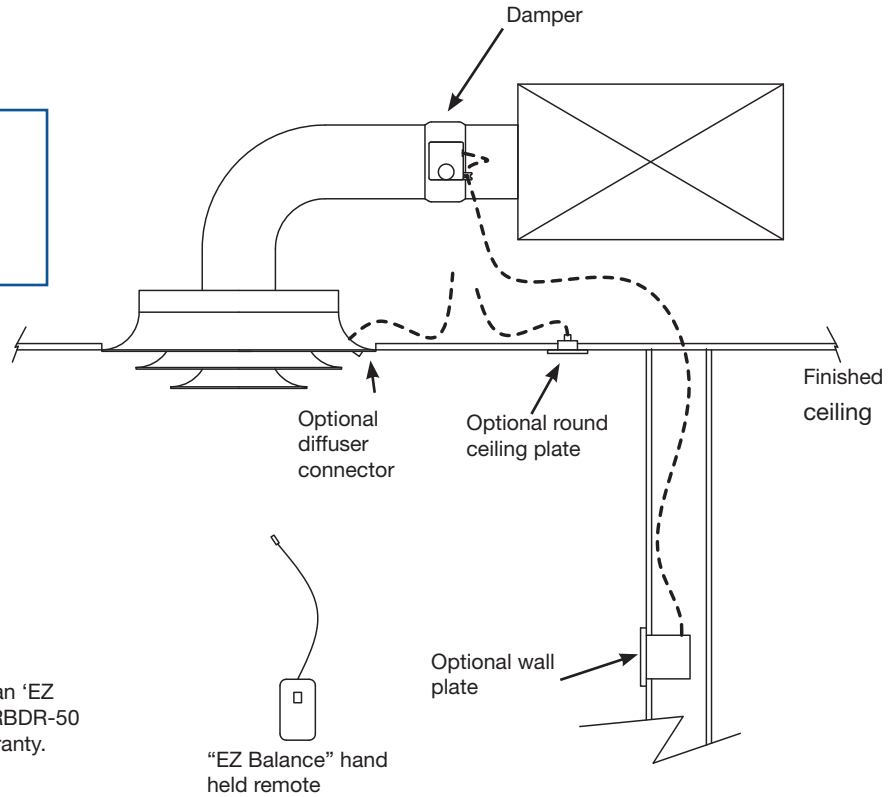
Actuator factory mounted



Front View

Actuator factory mounted

**Note:**  
All wire connections are made with prewired RJ11 plugs and socket. No additional wiring or tools required.



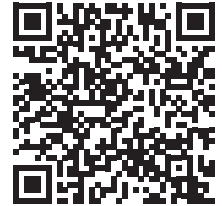
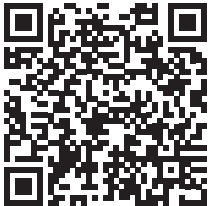
**Note:**  
Utilizing any controller other than 'EZ Balance' remote to adjust the RBDR-50 damper voids the actuator warranty.

**Document Links**

[Instruction Manuals](#)

[HVAC Control and Balancing Damper Catalog](#)

[Specifications](#)



[Interactive Damper Selection Guide](#)

[Warranty](#)

