

Application

Model SMD-401M is a class I leakage rated modulating smoke damper with extruded airfoil blades. Model SMD-401 may be installed vertically (with blades running horizontal) or horizontally and is rated for airflow and leakage in either direction.

Ratings

UL 555S Leakage Rating

Leakage Class: I

Operational Rating: Actual ratings are size dependent

Velocity: Up to 2000 fpm (10.2 m/s)

Pressure: Up to 4 in. wg (1 kPa)

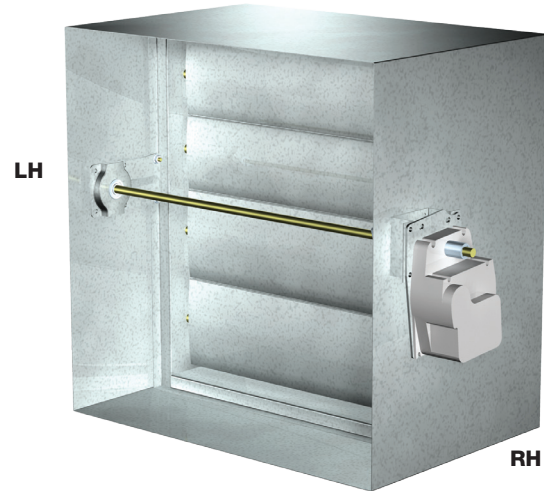
Temperature: Up to 250°F (177°C)

Construction

	Standard
Frame Material	Galvanized steel
Frame Material Thickness	16 ga. (1.5mm)
Frame Type	5 in. x 1in. (127mm x 25mm) hat channel
Blade Material	Aluminum
Blade Material Thickness	Heavy gauge aluminum
Blade Type	Airfoil
Blade Action	Opposed
Linkage	Plated steel out of airstream, concealed in jamb
Axle Bearings	316SS
Axle Material	Plated steel
Blade Seals	Silicone
Jamb Seals	Stainless Steel

Note:

The frames are constructed with reinforced corners. Low profile head and sill are used on sizes less than 17 in. (432mm) high for lower pressure drop and improved damper performance.



W&H dimensions furnished approximately ¼ in. (6mm) undersize. (Add sleeve thickness for overall sleeved damper dimension). Right hand drive is shown.



See complete marking on product.

UL 555S Classification
R13317

Model SMD-401M meets the requirements for smoke dampers established by:

National Fire Protection Association

NFPA Standards 90A, 92, 101 & 105

IBC International Building Codes

CSFM California State Fire Marshal

Leakage (Smoke) Damper Listing (#3230-0981:104)

W x H	Minimum Size	Maximum Size	
		Single Section	Multiple Section
2000 fpm (10.2 m/s); 4 in. wg (1 kPa) pressure			
Inches	8 x 8	36 x 36	36 x 72
mm	203 x 203	914 x 914	914 x 1829

Options

- [Breakaway connections](#)
- [Greenheck test switches](#)
- [Momentary test switch](#)
- [Retaining angles](#)
- [OCI \(Open closed indication switches\)](#)
- Sealed transitions and sleeves
- [Security bars](#)
- Smoke detectors
- Transitions: C, O, R
- Clean wrap

Document Links



[INSTALLATION](#)



[CATALOG](#)



[SELECTION GUIDE](#)



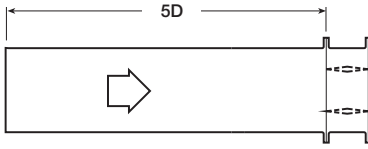
[SPECIFICATIONS](#)



[WARRANTY](#)

Pressure Drop

AMCA 5.2



12 in. x 12 in. (305mm x 305mm)

Velocity (fpm)	Pressure Drop (in. wg)
500	0.01
1000	0.06
1500	0.13
2000	0.23
2500	0.35
3000	0.50
3500	0.68
4000	0.88

24 in. x 24 in. (610mm x 610mm)

Velocity (fpm)	Pressure Drop (in. wg)
500	0.01
1000	0.04
1500	0.10
2000	0.18
2500	0.28
3000	0.40
3500	0.54
4000	0.70

36 in. x 36 in. (914mm x 914mm)

Velocity (fpm)	Pressure Drop (in. wg)
500	0.01
1000	0.03
1500	0.06
2000	0.12
2500	0.18
3000	0.26
3500	0.35
4000	0.46

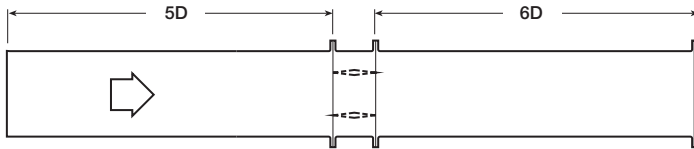
12 in. x 48 in. (305mm x 1219mm)

Velocity (fpm)	Pressure Drop (in. wg)
500	0.01
1000	0.06
1500	0.13
2000	0.23
2500	0.36
3000	0.51
3500	0.71
4000	0.93

48 in. x 12 in. (1219mm x 305mm)

Velocity (fpm)	Pressure Drop (in. wg)
500	0.01
1000	0.03
1500	0.06
2000	0.10
2500	0.16
3000	0.23
3500	0.30
4000	0.39

AMCA 5.3



12 in. x 12 in. (305mm x 305mm)

Velocity (fpm)	Pressure Drop (in. wg)
500	0.01
1000	0.03
1500	0.07
2000	0.14
2500	0.21
3000	0.29
3500	0.39
4000	0.51

24 in. x 24 in. (610mm x 610mm)

Velocity (fpm)	Pressure Drop (in. wg)
500	0.01
1000	0.02
1500	0.04
2000	0.08
2500	0.13
3000	0.19
3500	0.26
4000	0.34

36 in. x 36 in. (914mm x 914mm)

Velocity (fpm)	Pressure Drop (in. wg)
500	0.01
1000	0.01
1500	0.02
2000	0.04
2500	0.06
3000	0.09
3500	0.13
4000	0.17

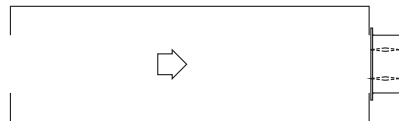
12 in. x 48 in. (305mm x 1219mm)

Velocity (fpm)	Pressure Drop (in. wg)
500	0.01
1000	0.03
1500	0.06
2000	0.11
2500	0.17
3000	0.25
3500	0.34
4000	0.45

48 in. x 12 in. (1219mm x 305mm)

Velocity (fpm)	Pressure Drop (in. wg)
500	0.01
1000	0.02
1500	0.04
2000	0.08
2500	0.12
3000	0.18
3500	0.24
4000	0.31

AMCA 5.5



12 in. x 12 in. (305mm x 305mm)

Velocity (fpm)	Pressure Drop (in. wg)
500	0.04
1000	0.14
1500	0.31
2000	0.55
2500	0.86
3000	1.23
3500	1.67
4000	2.19

24 in. x 24 in. (610mm x 610mm)

Velocity (fpm)	Pressure Drop (in. wg)
500	0.03
1000	0.12
1500	0.27
2000	0.48
2500	0.75
3000	1.07
3500	1.47
4000	1.91

36 in. x 36 in. (914mm x 914mm)

Velocity (fpm)	Pressure Drop (in. wg)
500	0.03
1000	0.10
1500	0.22
2000	0.39
2500	0.61
3000	0.87
3500	1.19
4000	1.56

12 in. x 48 in. (305mm x 1219mm)

Velocity (fpm)	Pressure Drop (in. wg)
500	0.03
1000	0.11
1500	0.25
2000	0.46
2500	0.72
3000	1.05
3500	1.43
4000	1.87

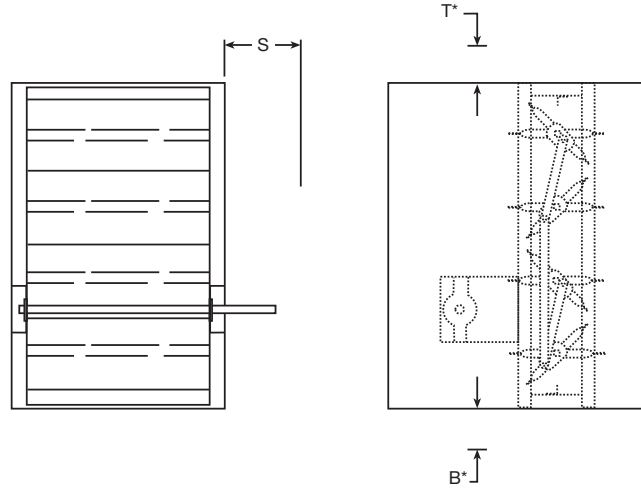
48 in. x 12 in. (1219mm x 305mm)

Velocity (fpm)	Pressure Drop (in. wg)
500	0.03
1000	0.11
1500	0.26
2000	0.46
2500	0.72
3000	1.02
3500	1.40
4000	1.83

Space Envelopes

Externally mounted actuators always require space outside of the damper sideplate or sleeve.

On dampers less than 18 in. (457mm) high, actuators may also require clearances above and/or below the sideplate or sleeve. “B” and “T” dimensions are **worst** case clearance requirements for some dampers less than 18 in. (457mm) high. All dampers 18 in. (457mm) or more in height, do not require these worst case clearances. If space availability above or below the damper sleeve is limited, each damper size should be individually evaluated.

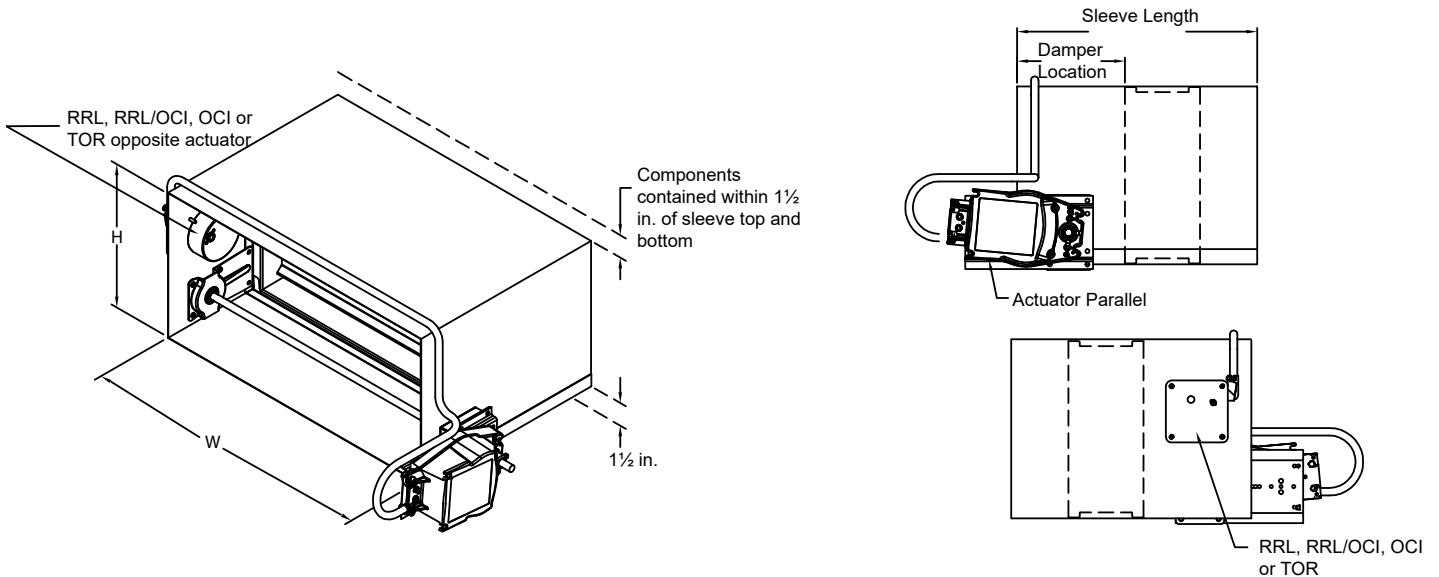


Actuator Type/Model	B*	T*	D	
	With OCI	With OCI	PiggyBack	
			No	Yes
24 Volt AC				
FSAFB24-SR Belimo	½ in. (13 mm)	9 ¹³ / ₁₆ in. (249mm)	6 in. (152 mm)	NA
FSAFB24-SR-S Belimo	½ in. (13 mm)	9 ¹³ / ₁₆ in. (249 mm)	6 in. (152 mm)	NA

*When damper height is 18 in. (457mm) or greater, these dimensions are zero.

Contained Actuator Option

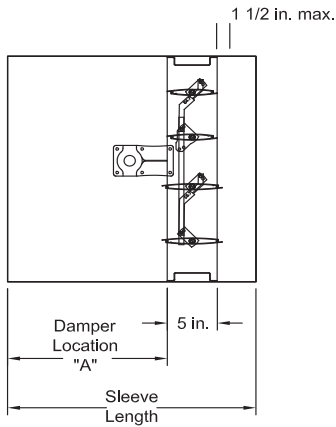
Dampers can be ordered with a “contained actuator option”. This option will result in the actuator being oriented such that it extends no more than 1½ inches above or below the sleeve. Note that some damper configurations that are 11 inches high or less will have the OCI mounted on the side opposite the actuator when the contained actuator option is selected.



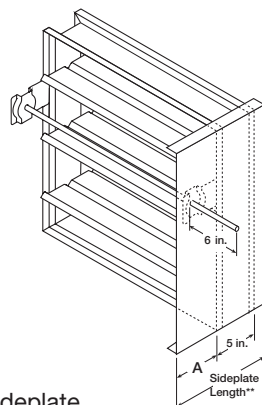
Sleeve and Sideplate Dimensions

The drawings below and corresponding table show the position of the SMD-302 damper when mounted in a factory sleeve ("A" dimension). The standard mounting locations provide enough space for the mounting of actuators, controls and allow space for installation of retaining angles and duct connections. The following options may affect the range of available mounting locations: smoke detector, NEMA 7 enclosure, transitions, security bars, grille tabs.

The standard location of a damper mounted in a factory sleeve ("A" dimension) is shown below. The damper can be positioned at other locations within a range of 6 in. (152mm) to 16 in. (406mm) for the "A" dimension.



Sleeve



Sideplate

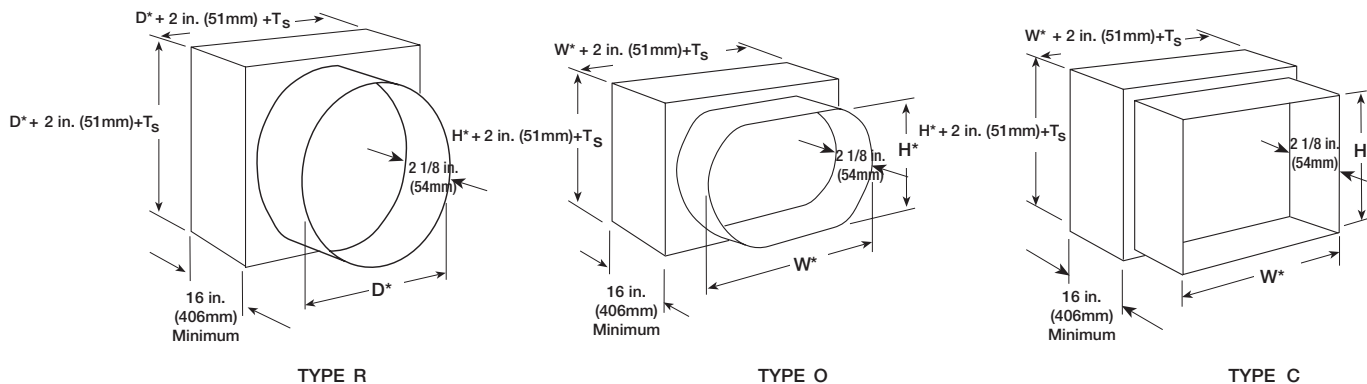
in. (mm)	With Sleeve		Sideplate Damper Location "A"
	Minimum Damper Location "A"	Maximum Damper Location "A"	
Compact configuration*	7 3/16 in. (183)	16 (406)	-
Standard (non-compact) Height < 12 in. (305) RRL, RRL/OCI, or TOR	12 (305)	16 (406)	12 (305)
Standard (non-compact) Height ≥ 12 in. (305) RRL, RRL/OCI, or TOR	7 3/16 in. (183)	16 (406)	12 (305)

* Contact factory for more information.

NOTE: Entire damper frame is not required to be installed within the wall. The damper blades, when closed should be contained within the wall.

Transitioned Damper Dimensions

When a fire/smoke damper is being used in conjunction with round or oval ductwork, the SMD-401 can be supplied in a factory sleeve with round or oval transitions on both ends of the sleeve. Dampers should be ordered to the duct dimensions. Drawings below show overall damper size.



* These dimensions are furnished approximately 1/4 in. (6mm) undersize, except round and oval dimensions which are approximately 1/8 in. (3mm) undersize.

$T_s = (2)(\text{Sleeve Thickness})$

Multiple Section Dampers

Dampers larger than maximum single section size are supplied as a factory assembly of two or more sections of equal size. The following figures show maximum damper section size and assembly configurations for multi-section dampers.

