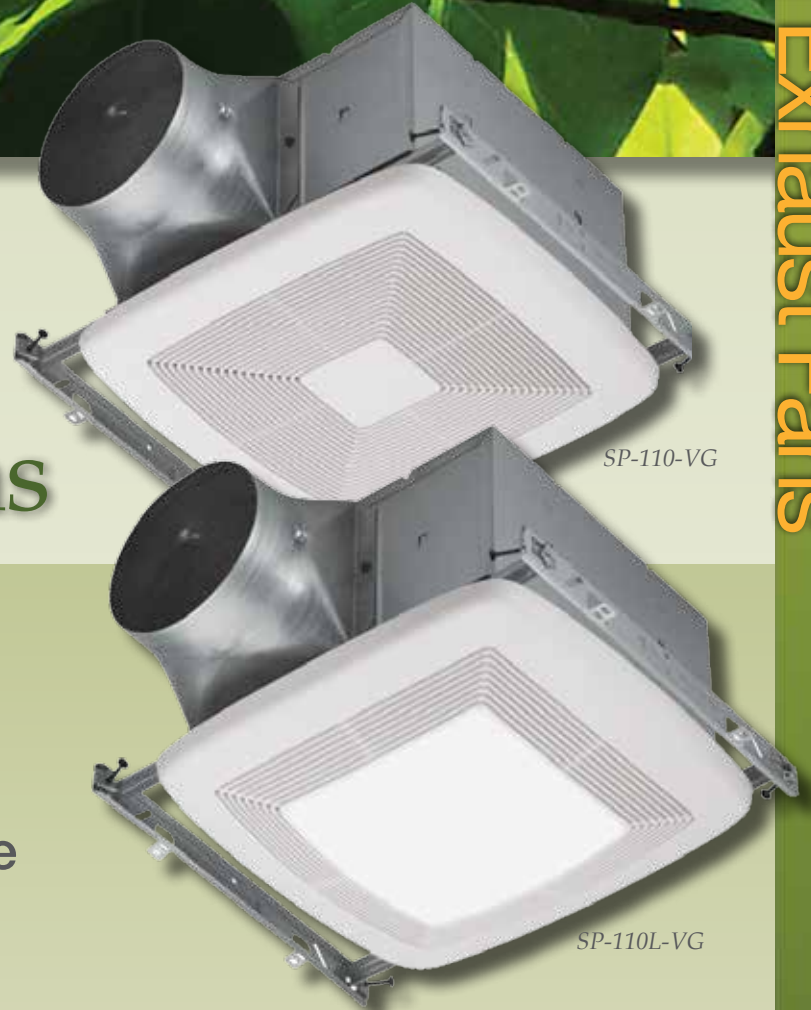


New Ceiling Exhaust Fans

SP-80 and SP-110,
with the ENERGY STAR®
Most Efficient rating are
now available.

- Available with or without lights
- Powered by electronically commutated (EC) motors
- Performance range from 30-110 cfm and up to .6 in. wg.
- Low sound levels for virtually silent operation.
- Constant CFM Control
- 115 Volt



Applications
for SP fans include:

- Rest Rooms
- Offices
- Storage/Janitorial Rooms



Energy Efficiency

- Energy efficient EC motor technology.
- Codes and Certifications; ASHRAE 62.2 and 62.1, LEED, ENERGY STAR® Most Efficient, CA Title 24, Washington State Energy Code, AMCA Licensed and UL Listed.

Low Sound Values

- EC motor designed for nearly silent operation, <0.3 sones.

Controlability

- Powerful operation maintained over a wide range of real-world installations (constant CFM ratings maintained up to 0.25 in. wg.).
- Adjustable low CFM setting allows precise adjustment to prevent over-ventilating and maximize efficiency.
- Adjustable time delay sets how long fan will run on high speed before returning to a continuous lower speed.
- Rated for continuous and/or intermittent operations.

Lights

- Two, ENERGY STAR® qualified 18 watt (max) GU24, 3500K bulbs brightly illuminate the space (bulbs included).
- One, 4 watt (max) C7 type night-light provides night-time convenience (bulb not included).

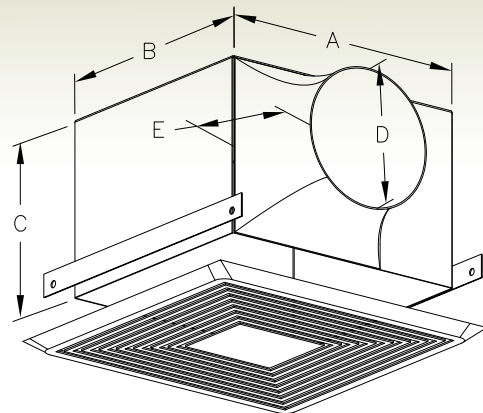
Effortless Installation

Retrofit

- Unique telescoping mounting frame fits through retrofit drywall opening to allow easy installation from the room side. No attic access needed!
- Inside or outside duct connector and knockout plate mounting provides flexibility for retrofit or new construction.

New Construction

- Captive screws allow for easy new construction installation.
- Mounting frame positioning tabs provide easy vertical positioning for new construction.



Model	A	B	C	D	E
SP-110	10 1/2 (267)	11 3/8 (289)	7 1/16 (194)	6 (152)	4 (102)
SP-80				4 (102)	8 1/2 (216)

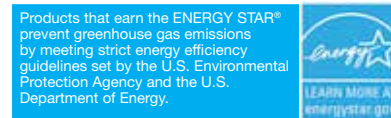
Dimensions are in inches (millimeters)

Available with ceiling radiation damper for nonlighted units.

UL Listed for use over bathtubs and showers when connected to a GFCI protected branch circuit (ceiling mount only).

UL Listed for use in insulated ceilings (Type IC).

3-year warranty on product.



Prepared to Support Green Building Efforts

