

Application

Model HCDR-050 is a light duty round control damper with a flanged style frame. It is designed to control airflow and provide shut off in HVAC or industrial process control system.

Ratings

Velocity

Up to 3000 fpm (15.2 m/s)

Temperature

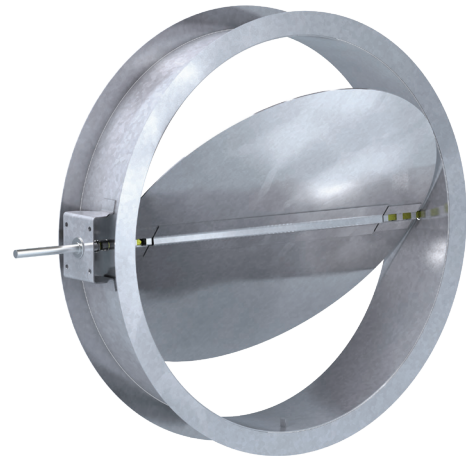
-40° to 250°F (-40° to 121°C)

Pressure

Up to 6 in. wg (1.5 kPa) - differential pressure

Construction

	Standard	Optional
Frame Material	Galvanized steel	Painted, 304SS or 316SS
Frame Type	Flanged channel	
Blade Material	Galvanized steel	Painted, 304SS or 316SS
Blade Seals	None	EPDM
Blade Stop	Pin stop	
Blade Type	Round butterfly	
Axle Bearing	Stainless steel sleeve	
Axle Material	Plated steel	316SS
Axle Seals	None	
Paint Finishes	MIII finish	Hi Pro Polyester
Mounting Holes	None	Parallel, Straddle

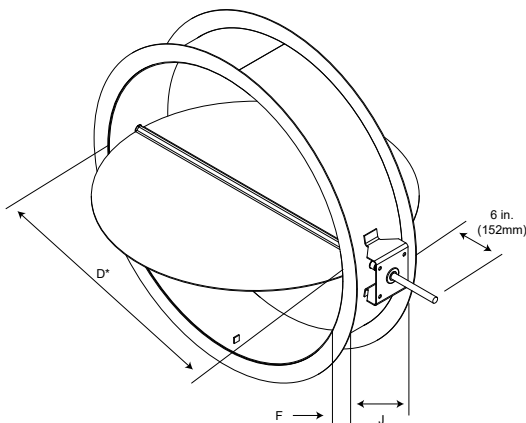


* Diameter = Actual Inside Dimension

Diameter	Minimum Size	Maximum Size
Inches	6	24
mm	152	609

Features

- Wide mounting flanges can be ordered with bolt holes, customized to match your requirements.
- Wide range of actuators available.

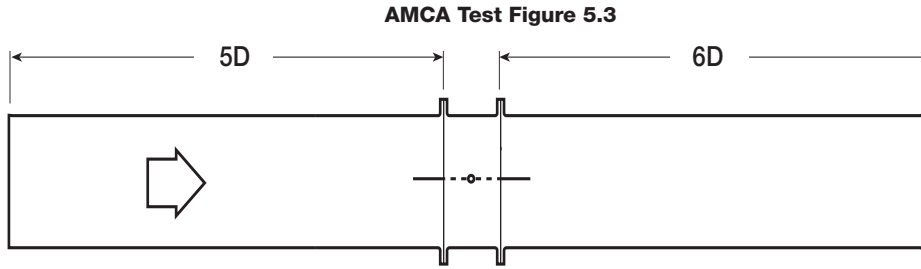


Diameter D Inches (mm)		Frame Depth (J)	Frame & Flange Gauge (mm)	Flange Width F Inches (mm)	Axle Size Inches (mm)	Blade Thickness Gauge (mm)
From	To					
6 (152)	12 (305)	6 (152mm)	14 (2)	1.25 (32)	0.375 (9.5)	16 (1.5)
12.001 (305)	24 (609)	8 (203mm)	14 (2)	1.5 (32)	0.375 (9.5)	16 (1.5)

Performance Data

AMCA Test Figure 5.3

Figure 5.3 illustrates a fully ducted damper. This configuration has low pressure drop because entrance and exit losses are minimized by straight duct runs upstream and downstream of the damper.



Pressure Drop Data

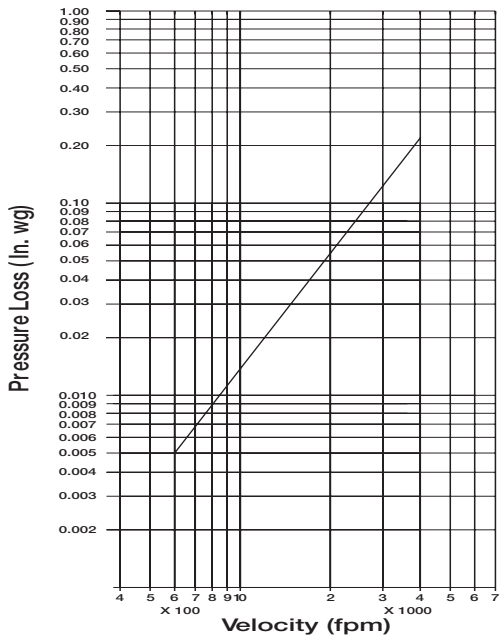
This pressure drop data was conducted in accordance with AMCA Standard 500-D using Test Figure 5.3. All data has been corrected to represent standard air at a density of 0.075 lb/ft³ (1.2 kg/m³).

Actual pressure drop found in any HVAC system is a combination of many factors. This pressure drop information along with an analysis of other system influences should be used to estimate actual pressure losses for a damper installed in a given HVAC system.

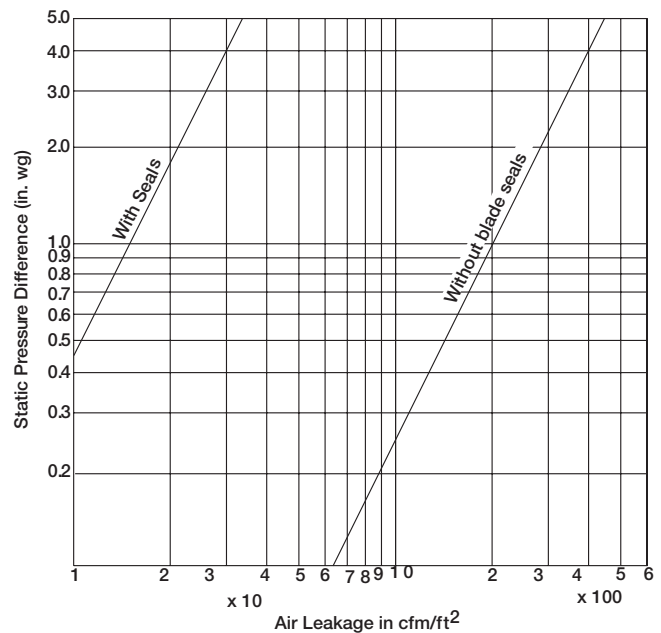
Leakage Data

Damper leakage (with blades fully closed) varies based on the type of blade stops and low leakage seals applied. HCDR-050 is available with no seals (standard) or with EPDM blade seal. Leakage testing was conducted in accordance with AMCA Standard 500-D and is expressed as cfm/ft² of damper face area. All data has been corrected to represent standard air at a density of 0.075 lb/ft³ (1.2 kg/m³).

Pressure Drop
12 in. (305mm) Diameter Damper

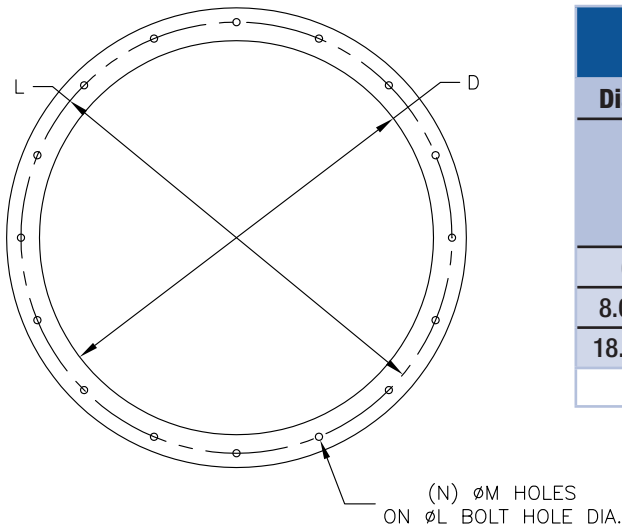


Leakage
12 in. (305mm) Diameter Damper



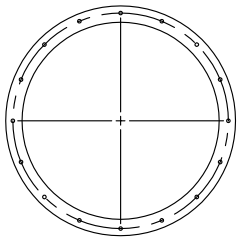
Mounting Holes

The recommended bolt hole pattern is shown in the table below. Customer must specify bolt holes that are straddling centerline or on centerline as shown in the diagrams below. The factory can also provide bolt hole sizes and patterns other than those shown.

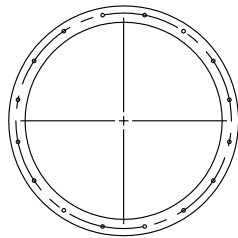


Recommended Bolt Hole Pattern (Bolt Holes Parallel to Axle Centerline)					
Diameter Inches (mm)		Number of Holes N	Mounting Hole Diameter in. (mm) M	Bolt Circle Diameter L	Degrees Between Holes
From	To				
6 (152)	8 (203)	4	3/8 (9.5)	*	90
8.001 (203)	18 (457)	8	7/16 (11)	*	45
18.001 (457)	24 (610)	12	7/16 (11)	*	30

* Bolt Circle Diameter = Damper Diameter + Flange Height + 1/4 in. (6mm)



Parallel on Centerline



Straddle on Centerline

Document Links

[Installation Instructions](#)



[Heavy Duty/Industrial Damper Catalog](#)



[Heavy Duty and Industrial Product Selection Guide](#)



[Damper Interactive Selection Guide](#)



[Specifications](#)



[Warranty](#)

