

## Application

Model MBD-10 is a manual balancing damper designed to regulate the flow of air in a HVAC system. They are not intended to be used in applications as a positive shut off or for automatic control. The manual quadrant has an integral pointer for easy visual blade position indication.

## Ratings

### Pressure

2 in. wg (0.5 kPa) - pressure differential

### Velocity

Up to 2000 fpm (10.2 m/s)

### Temperature

Up to 180°F (82°C)

## Construction

Construction	Standard
<b>Frame Material</b>	Galvanized steel
<b>Frame Thickness</b>	22 ga. (0.8mm)
<b>Blade Material</b>	Galvanized steel
<b>Blade Thickness</b>	20 ga. (1mm)
<b>Axle Material</b>	½ in. (13mm) Plated Steel
<b>Operator</b>	⅜ in. (10mm) sq. locking manual quadrant
<b>Operating Shaft</b>	⅜ in. (10mm) sq., 2½ in. (64mm) long extension

## Size Limitations

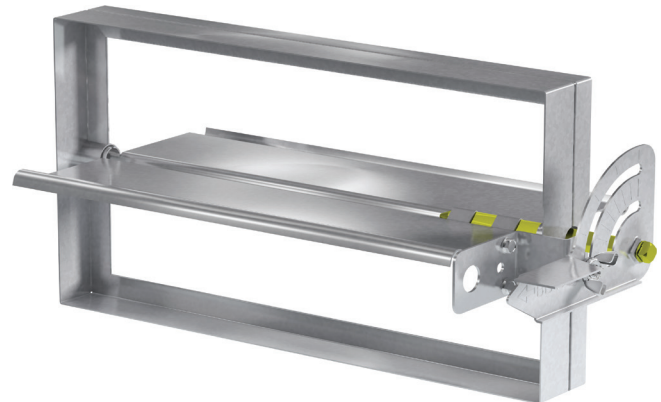
W X H	Minimum	Maximum*
<b>Inches (mm)</b>	6 x 4 (152 x 102)	36 x 12 (914 x 305)

## Document Links

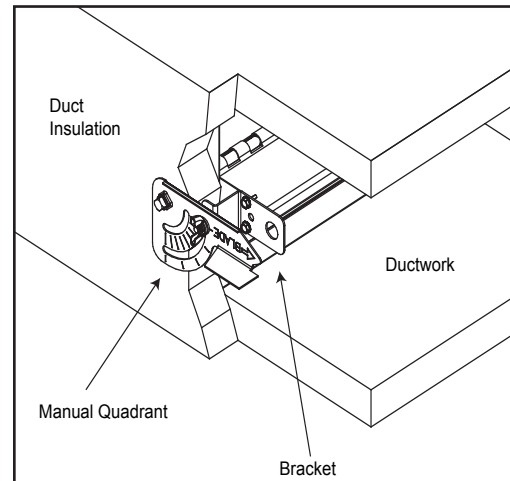
[Installation Instructions](#)

[Catalog](#)

[Damper Warranty](#)



\*W & H dimension furnished approximately ¼ in. (6mm) undersize.  
Manual quadrant is sent as a kit for field installation.



## Options and Accessories

- 1½ in. (38mm) standoff bracket
- 2 in. (51mm) standoff bracket

The standoff bracket with axle pin accommodates for the thickness of external duct insulation.