

Application

Model SSDFD-350 is a dynamic rated fire damper approved for use in walls and partitions with fire resistance ratings of 3 hours or more. This model carries a 3 hour UL fire damper label. UL 555 classifies dynamic rated fire dampers for use in HVAC systems that are operational in the event of a fire.

Ratings

UL 555 Fire Resistance

Fire Rating: 3 hours

Velocity

2000 fpm (10.2 m/s) vertical mount

Pressure

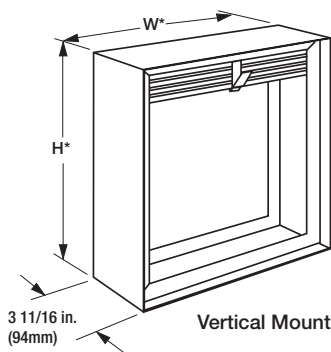
Maximum: 4 in. wg (1 kPa)



Construction

Construction	Standard	Optional
Frame Depth	3 11/16 in. (94mm)	-
Frame Material	304SS*	-
Blade Material	304SS*	-
Closure Spring	Stainless steel	-
Fusible Link	165°F (74°C)	212°F or 286°F (100°C or 141°C)
Mounting	Vertical	-

* in gauges required by UL listing R13317



* These dimensions are furnished approximately 1/4 in. (6mm) undersize.



See complete marking on product.

UL 555 Classification R13317

Model SSDFD-350 meets the requirements for fire dampers established by:

National Fire Protection Association

(NFPA Standards 80, 90A & 101)

Underwriters Laboratories Standard 555

(Listing #R13317)

IBC International Building Codes

California State Fire Marshal

(Listing #3225-981:102)

Options

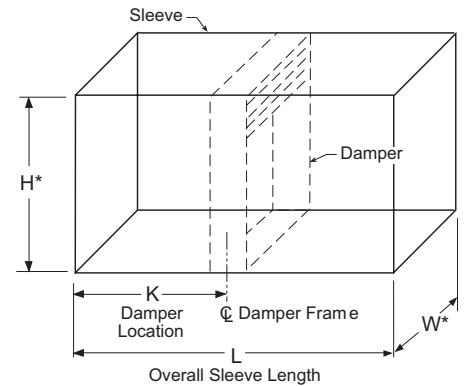
- Sealed transitions (sleeve required) and sleeves
- [One piece retaining angles \(POC\)](#)
- Transitions (B, C, CO, CR, R)

Factory Sleeve Option

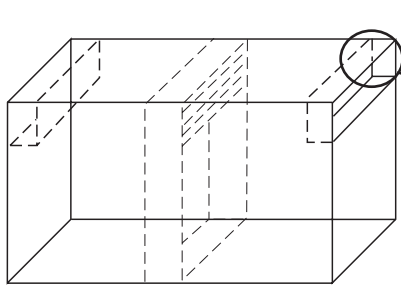
SSDFD-150 Fire Dampers are available in factory furnished sleeves. Sleeves are 304SS and are available in 10 thru 20 ga. (1mm- 3.5mm) thicknesses and lengths up to 36 in. (914mm).

“K” dimension specifies location of damper within the sleeve. Minimum is 4 in. (102mm), maximum is “L” less 4 in. (102mm), which allows for mounting angle installation and duct connection at each end of the sleeve. If “K” dimension is not specified, the damper will be centered in the sleeve.

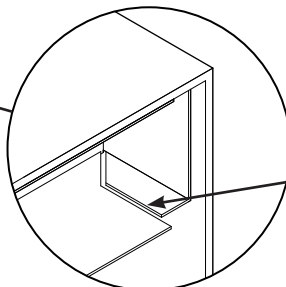
Note: If using access doors, the door should be installed on the “K” side of the damper.



Sealed Sleeves and Transitions Option



Type B with sleeve



Type B corner profile

When sealed option is selected, B transitions will need to be field sealed in the area where duct to sleeve connection is made.

Document Links



[INSTALLATION](#)



[CATALOG](#)



[SELECTION GUIDE](#)



[INSTALLATION SOLUTIONS](#)



[SPECIFICATIONS](#)



[WARRANTY](#)

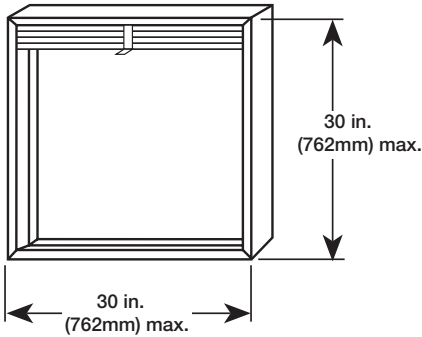
Types A&B

The following chart shows minimum and maximum damper section size. Dimensions are in inches (mm).

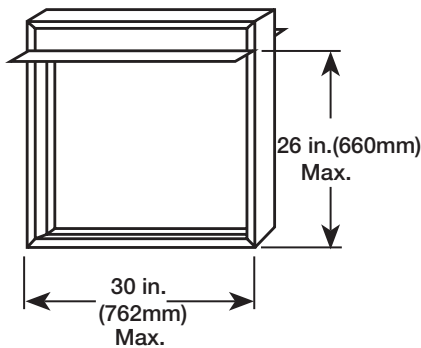
Size Limitations

Inches (mm)	Single Section	
	Minimum	Maximum
Type A	4 x 4 (102 x 102)	30 x 30 (762 x 762)
Type B2	4 x 3 (102 x 76)	30 x 26 (762 x 660)

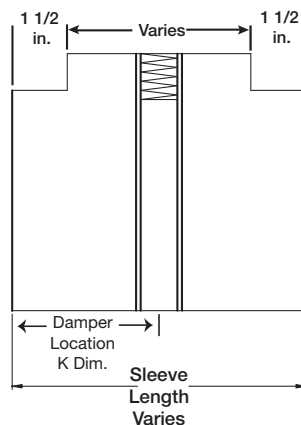
Maximum Single Section Dimensions



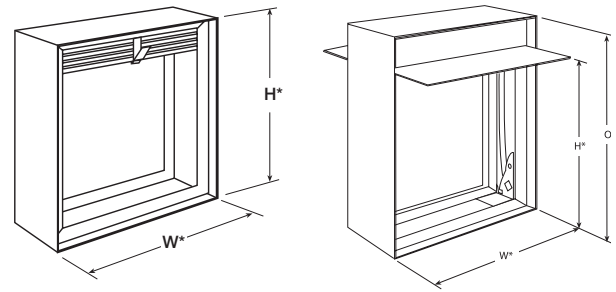
Maximum Single Section Dimensions



Type B2 side view

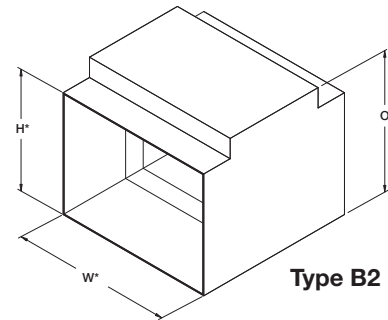


Overall Damper Dimensions



Type A

Type B



H*	O*
3 (76)	5 (127)
4 (102)	6 (152)
5 (127)	7 (178)
6 (152)	8 (203)
7 (178)	9 (229)
8 (203)	10 (254)
9 (229)	11 (279)
10 (254)	12 (305)
11 (279)	13 (330)
12 (305)	14 (356)
13 (330)	15 (381)
14 (356)	16 (406)
15 (381)	18 (457)
16 (406)	19 (483)
17 (432)	20 (508)
18 (457)	21 (533)
19 (483)	22 (559)
20 (508)	23 (584)
21 (533)	24 (610)
22 (559)	26 (660)
23 (584)	27 (686)
24 (610)	28 (711)
25 (635)	29 (737)
26 (660)	30 (762)

*Dimensions given in inches (mm). These dimensions are furnished approximately 1/4 in. (6mm) undersize.

Types C, CR, CO, & R

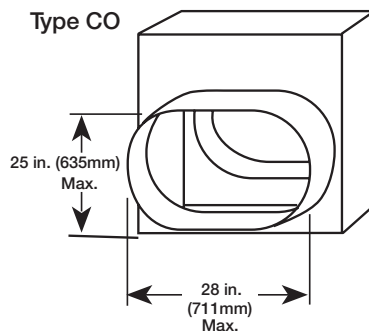
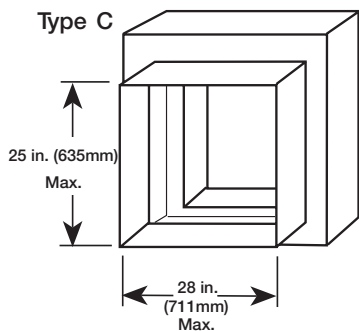
The following chart shows minimum and maximum damper section size. Dimensions are in inches (mm).

Size Limitations

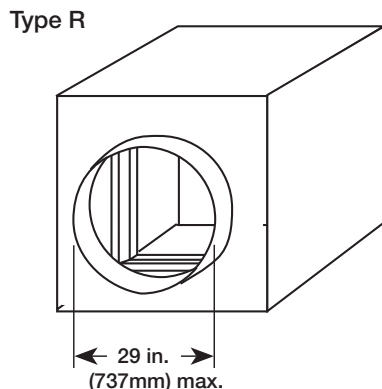
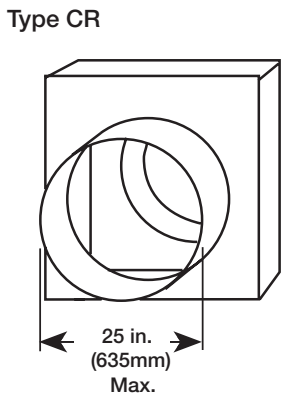
Inches (mm)	Single Section	
	Minimum	Maximum
Type CR	3 (76)	25 (635)
Type C & CO	3 x 3 (76 x 76)	28 x 25 (711 x 635)
Type R*	3 (76)	28 (711)

*1 With 2 in. (50mm) offset. Sizes adjust with 0 offset & 1 in. (25mm) offset.

Maximum Single Section Dimensions

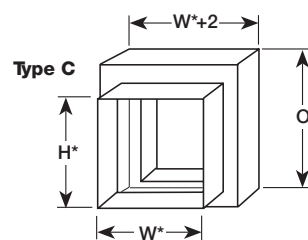
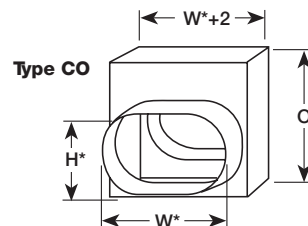
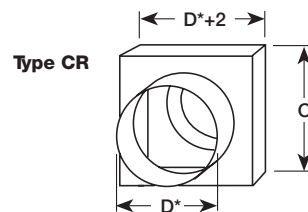


C, CO, CR transitions are positioned 1 in.(25mm) from bottom of sleeve.



Type R transition is centered on damper frame. Dimensions are with 2 in. (50mm) offset.

Overall Damper Dimensions



H* or D*	O*
3 (76)	6 (152)
4 (102)	7 (178)
5 (127)	8 (203)
6 (152)	9 (229)
7 (178)	10 (254)
8 (203)	11 (279)
9 (229)	12 (305)
10 (254)	13 (330)
11 (279)	14 (356)
12 (305)	15 (381)
13 (330)	16 (406)
14 (356)	18 (457)
15 (381)	19 (483)
16 (406)	20 (508)
17 (432)	21 (533)
18 (457)	22 (559)
19 (483)	23 (584)
20 (508)	24 (610)
21 (533)	26 (660)
22 (559)	27 (686)
23 (584)	28 (711)
24 (610)	29 (737)
25 (635)	30 (762)

* Dimensions are in inches (mm). These dimensions are furnished approximately 1/4 in. (6mm) undersize.