

## Application

Model SSFD-150 is a static rated fire damper approved for use in walls, floors, and partitions with fire resistance ratings less than 3 hours. This model carries a 1½ hour UL fire damper label. UL555 classifies static rated fire dampers for use in HVAC systems that are automatically shut down in the event of fire

## Ratings

### UL 555 Fire Resistance Rating

Fire Rating: 1½ hours

## Construction

	Standard	Optional
<b>Frame Depth</b>	3 <sup>11</sup> / <sub>16</sub> in. (94mm)	-
<b>Frame Material</b>	304SS*	-
<b>Blade Material</b>	304SS*	-
<b>Closure Spring</b>	Stainless steel	-
<b>Fusible Link</b>	165°F (74°C)	212°F (100°C)
<b>Mounting</b>	Vertical	Horizontal

\* in gauges required by UL listing R13317



See complete marking on product.  
 UL 555 Classification R13317

Model SSFD-150 meets the requirements for fire damper established by:

**National Fire Protection Association**

(NFPA Standards 80, 90A & 101)

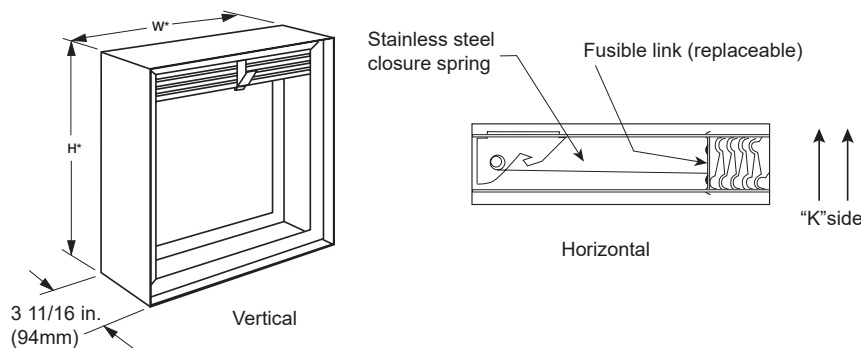
**Underwriters Laboratories Standard 555**

(Listing #R13317)

**IBC International Building Codes**

**California State Fire Marshall**

(Listing #3225-981:102)



\* These dimension are furnished approximately ¼ in. (6mm) undersize.

## Options

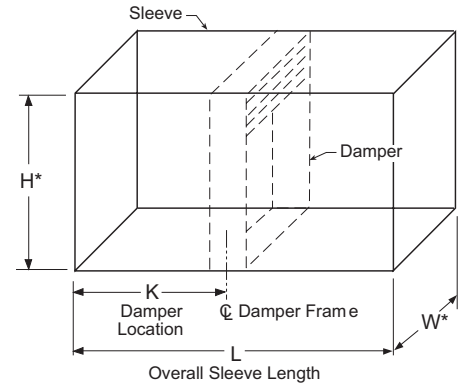
- Sealed transitions (sleeve required) and sleeves
- [One piece retaining angles \(POC\)](#)
- Transitions (B, C, CO, CR, R)
- Flanges

### Factory Sleeve Option

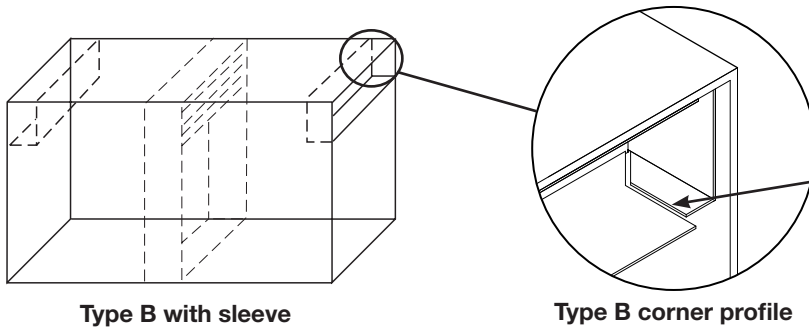
SSFD-150 Fire Dampers are available in factory furnished sleeves. Sleeves are 304SS and are available in 10 thru 20 ga. (1mm- 3.5mm) thicknesses and lengths up to 36 in. (914mm).

“K” dimension specifies location of damper within the sleeve. Minimum is 4 in. (102mm), maximum is “L” less 4 in. (102mm), which allows for mounting angle installation and duct connection at each end of the sleeve. If “K” dimension is not specified, the damper will be centered in the sleeve.

**Note: If using access doors, the door should be installed on the “K” side of the damper.**



### Sealed Sleeves and Transitions Option



When sealed option is selected, B transitions will need to be field sealed in the area where duct to sleeve connection is made.

## Document Links



[INSTALLATION](#)



[CATALOG](#)



[SELECTION GUIDE](#)



[ALTERNATE INSTALLATIONS](#)



[SPECIFICATIONS](#)



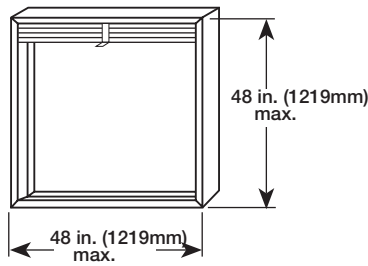
[WARRANTY](#)

# Type A, B, and B2

Dampers larger than maximum single section size are supplied in 2 or more sections of equal size. If ordered with a factory sleeve, multi-section dampers are factory assembled ready for installation. If ordered without a factory sleeve, multi-section dampers require field assembly.

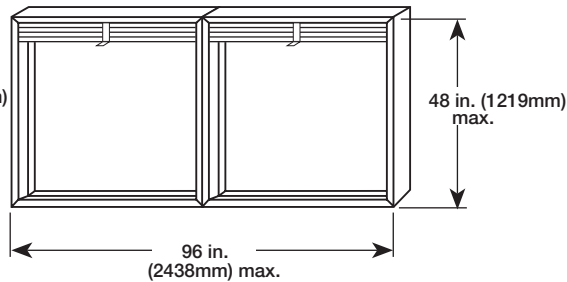
## Type A

### ① Maximum Single Section Dimensions



### ② Multi-Section Limitations

Maximum height is 48 in. (1219mm) when width is 96 in. (2438mm) or less.



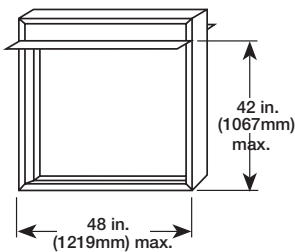
The following chart show minimum and maximum damper sizes. Dimensions are in inches (mm in parentheses).

## Size Limitations

Inches (mm)	Type A		Type B & B2	
	Minimum	Maximum	Minimum	Maximum
<b>Single Section Vertical</b>	4 x 4 (102 x 102)	48 X 48 (1219 X 1219)	4 X 3 (102 X 76)	48 X 42 (1219 X 1067)
<b>Multi Section Vertical**</b>	NA	96 X 48 or 120 x 40 (2438 x 1219 or 3048 x 1016)	NA	96 x 42 or 120 x 35 (2438 x 1067 or 3048 x 889)
<b>Single Section Horizontal</b>	4 x 4 (102 x 102)	36 x 36 (914 x 914)	4 x 3 (102 x 76)	36 x 31 (914 x 787)
<b>Multi Section Horizontal**</b>	NA			

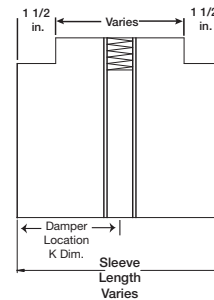
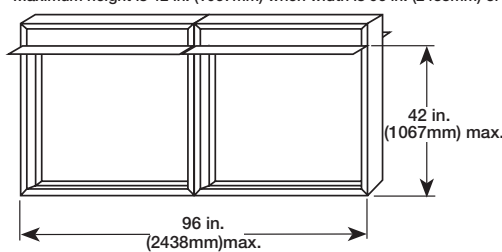
## Type B and B2

### ① Maximum Single Section Dimensions



### ② Multi-Section Limitations

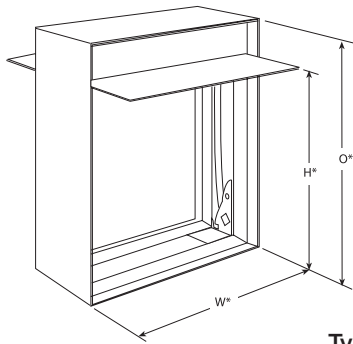
Maximum height is 42 in. (1067mm) when width is 96 in. (2438mm) or less



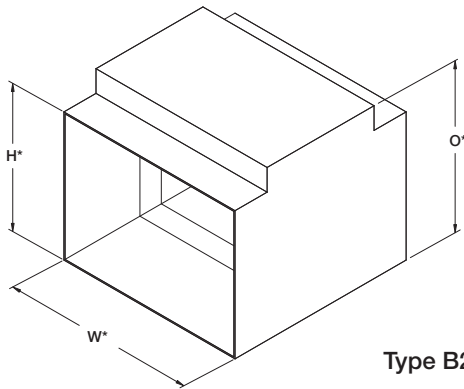
B2 side view

\* All multiple section dampers, with B transitions, will include a factory installed sleeve. All dampers with B2 transition will include a factory installed sleeve.

## Type B & B2 continued...



Type B



Type B2

H*	O*
3 (76)	5 (127)
4 (102)	6 (152)
5 (127)	7 (178)
6 (152)	8 (203)
7 (178)	9 (229)
8 (203)	10 (254)
9 (229)	11 (279)
10 (254)	12 (305)
11 (279)	13 (330)
12 (305)	14 (356)
13 (330)	15 (381)
14 (356)	16 (406)
15 (381)	18 (457)
16 (406)	19 (483)
17 (432)	20 (508)
18 (457)	21 (533)
19 (483)	22 (559)
20 (508)	23 (584)
21 (533)	24 (610)
22 (559)	26 (660)

H*	O*
23 (584)	27 (686)
24 (610)	28 (711)
25 (635)	29 (737)
26 (660)	30 (762)
27 (686)	31 (787)
28 (711)	32 (813)
29 (737)	33 (838)
30 (762)	34 (864)
31 (787)	36 (914)
32 (813)	37 (940)
33 (838)	38 (965)
34 (864)	39 (991)
35 (889)	40 (1016)
36 (914)	41 (1041)
37 (940)	42 (1067)
38 (965)	44 (1118)
39 (991)	45 (1143)
40 (1016)	46 (1168)
41 (1041)	47 (1194)
42 (1067)	48 (1219)

\* Dimensions in inches (mm). These dimensions are furnished ¼ in. (6mm) undersize. (All 'H' dimensions larger than 43 in. (1092mm) are two sections high. The bottom section is a Type A and the top section is a Type B.)

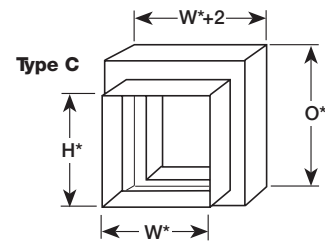
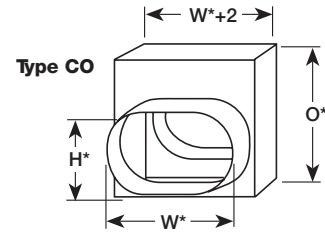
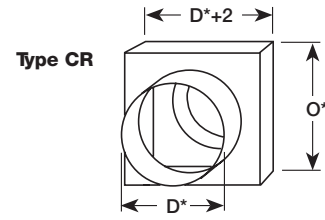
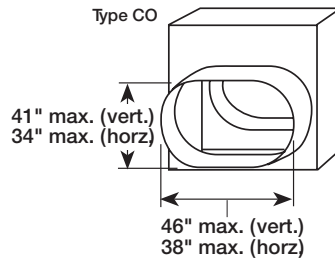
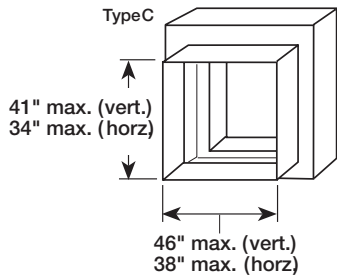
## Type CR, CO, C & R

Dampers larger than maximum single section size are supplied in 2 or more sections of equal size. If ordered with a factory sleeve, multi-section dampers are factory assembled ready for installation. If ordered without a factory sleeve, multi-section dampers require field assembly.

The following chart show minimum and maximum damper sizes. Dimensions are in inches (mm in parentheses).

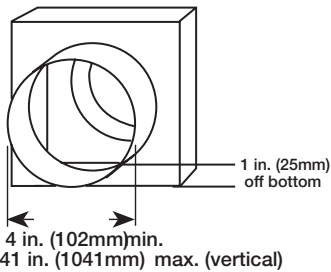
Inches (mm)	Type CR		Type CO & C		Type R*1	
	Minimum	Maximum	Minimum	Maximum	Minimum	Maximum
<b>Single Section Vertical</b>	3 (76)	41 (1041)	3 X 3 (76 X 76)	46 X 41 (1168 X 1041)	3 (76)	30 (762)
<b>Multi Section Vertical**</b>	NA		NA	94 X 41 or 118 x 34 (2388 x 1041 or 2997 x 864)	NA	46 (1168)
<b>Single Section Horizontal</b>	3 (76)	30 (762)	3 X 3 (76 X 76)	34 x 31 (864 x 787)	3 (76)	34 (864)

\*1 With 2 in. (50mm) offset. Sizes adjust with 0 offset and 1 in. (25mm) offset.

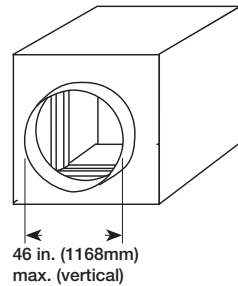


C, CO, CR transitions are positioned 1 in. (25 mm) from bottom of sleeve

Type CR



Type R



\* All multiples section dampers, with transitions, will include a factory installed sleeve.

H* or D*	O*	H* or D*	O*
3 (76)	6 (152)	23 (584)	28 (711)
4 (102)	7 (178)	24 (610)	29 (737)
5 (127)	8 (203)	25 (635)	30 (762)
6 (152)	9 (229)	26 (660)	31 (787)
7 (178)	10 (254)	27 (686)	32 (813)
8 (203)	11 (279)	28 (711)	33 (838)
9 (229)	12 (305)	29 (737)	34 (864)
10 (254)	13 (330)	30 (762)	36 (914)
11 (279)	14 (356)	31 (787)	37 (940)
12 (305)	15 (381)	32 (813)	38 (965)
13 (330)	16 (406)	33 (838)	39 (991)
14 (356)	18 (457)	34 (864)	40 (1016)
15 (381)	19 (483)	35 (889)	41 (1041)
16 (406)	20 (508)	36 (914)	42 (1067)
17 (432)	21 (533)	37 (940)	44 (1118)
18 (457)	22 (559)	38 (965)	45 (1143)
19 (483)	23 (584)	39 (991)	46 (1168)
20 (508)	24 (610)	40 (1016)	47 (1194)
21 (533)	26 (660)	41 (1041)	48 (1219)
22 (559)	27 (686)	-	-

\* Dimensions are inches (mm). These dimensions are furnished approximately ¼ in. (6mm) undersize, except round and oval dimensions (D, H, W) are approximately ⅛ in. (3mm) undersize. (All 'H' dimensions larger than single section height are two sections high. Refer to chart.)