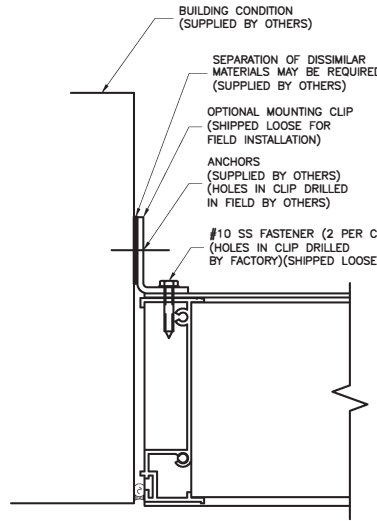


SINGLE SECTION ANCHOR CLIPS INSTALLATION



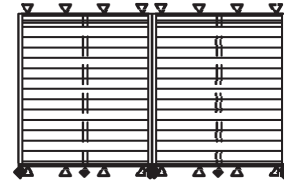
JAMB DETAIL

MATERIAL NOTE:  
ALUMINUM LOUVERS - 1.0X1.5X4.00, .125 ALUM SS

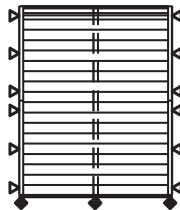
SINGLE SECTIONS WIDE, SINGLE SECTION HIGH



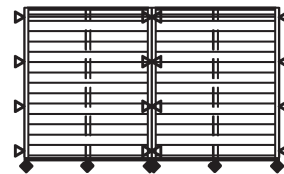
MULTIPLE SECTIONS WIDE, SINGLE SECTION HIGH (UNSUPPORTED MULLION)



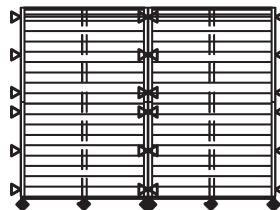
SINGLE SECTIONS WIDE, MULTIPLE SECTION HIGH



MULTIPLE SECTIONS WIDE, SINGLE SECTION HIGH (SUPPORTED MULLION)



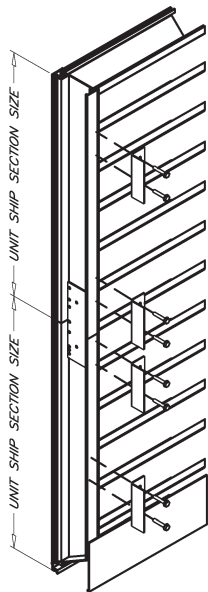
MULTIPLE SECTIONS WIDE, MULTIPLE SECTION HIGH



ANCHOR LOCATIONS

3.00" MAX. OFF EDGE OF EACH SECTION  
18.00" MAX. O/C CLIP SPACING

- ▲ = RECOMMENDED ANCHOR LOCATION
- ◆ = RECOMMENDED DEAD LOAD SHIM



MULTIPLE SECTION HIGH ANCHOR CLIPS INSTALLATION

AS A RESULT OF OUR COMMITMENT TO CONTINUOUS IMPROVEMENT, THIS SUPPLIER RESERVES THE RIGHT TO CHANGE SPECIFICATIONS WITHOUT NOTICE