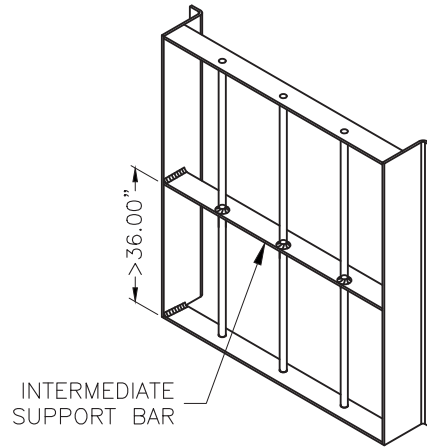
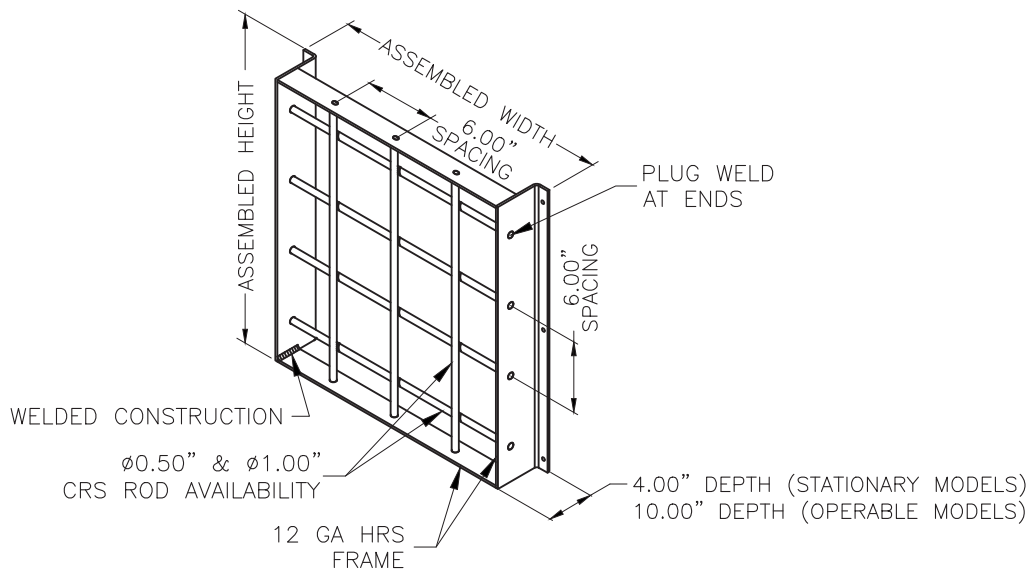


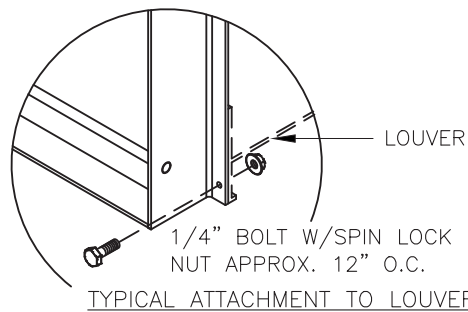
HORIZONTAL BAR ASSEMBLY



VERTICAL BAR ASSEMBLY



HORIZONTAL & VERTICAL BAR ASSEMBLY



SECURITY BARS WILL BE FINISHED PERMATECTOR (GREY)

Security bars finished
Super Durable Polyester,
Concrete Gray.

AS A RESULT OF OUR COMMITMENT TO CONTINUOUS IMPROVEMENT,
THIS SUPPLIER RESERVES THE RIGHT TO CHANGE SPECIFICATIONS WITHOUT NOTICE