

Installation, Operation and Maintenance Manual

Please read and save these instructions for future reference. Read carefully before attempting to assemble, install, operate or maintain the product described. Protect yourself and others by observing all safety information. Failure to comply with these instructions will result in voiding of the product warranty and may result in personal injury and/or property damage.

Greenheck lighted grille kits are designed specifically for use with Greenheck model SP ceiling fans. The grille is an easy-to-clean, decorative polystyrene, combined with a frosted lens and quick disconnect plug. The frosted lens allows 80% of the light to penetrate through and is removable to allow easy replacement of the light bulb. All models use a 10 watt 2700K LED bulb rated for 25,000 hours with a GU24 base.

NOTE

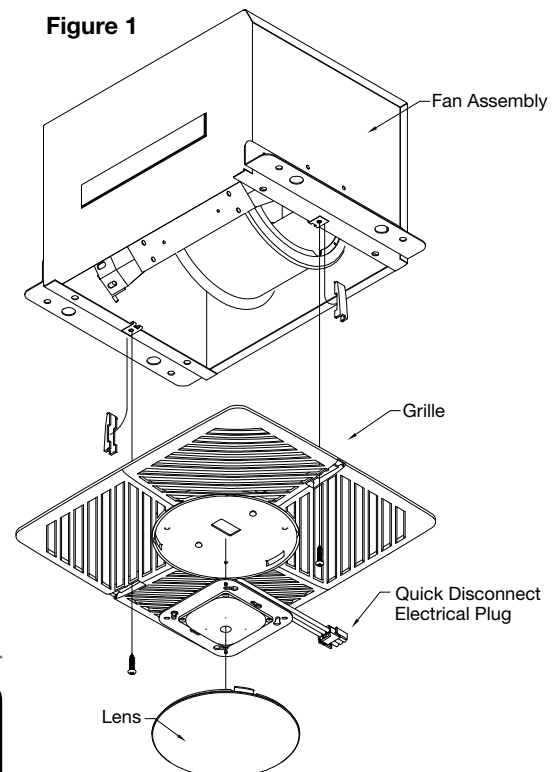
This kit is exclusive for SP fans without a ceiling radiation damper (CRD). If a lighted grille is needed for a fan with a ceiling radiation damper, a CRD-L (for use with lighted units) *will be required in addition to the lighted grille conversion kit.*

Dimensions and Specifications

| Part Number | Length (inches) | Width (inches) | For use with Models |
|-------------|--------------------------------|--------------------------------|---|
| 880622 | 14 ⁷ / ₈ | 13 ¹ / ₄ | SP-A50, SP-A70, SP-A90, SP-A110, SP-A125, SP-A190 |
| 880623 | 14 ⁷ / ₈ | 13 ¹ / ₄ | SP-A200, SP-A250, SP-A290, SP-A390 |
| 880624 | 14 ⁷ / ₈ | 13 ¹ / ₄ | SP-B50, SP-B70, SP-B80, SP-B90, SP-B110, SP-B150, SP-B200 |

Installation Method:

1. Install light socket and new junction box cover provided with kit into existing fan. Hold grille assembly to base of installed fan. If the light box on the new grille assembly interferes with existing fan components, install the box extension to the base of the installed fan cabinet.
2. Plug light kit wire into newly installed light socket.
3. Attach grille using two screws provided. Make sure not to over tighten; over tightening will damage the grille.
4. Slide attachment screw covers over the attachment screws, see Figure 1.
5. Install LED light bulb into GU24 light socket.
6. Snap lens into place by pushing on the outside edges of the lens, see Figure 1. To remove lens, use small screw driver and pry on one side of the lens.
7. Turn on fan and check light operation.



Our Commitment

As a result of our commitment to continuous improvement, Greenheck reserves the right to change specifications without notice.

Product warranties can be found online at Greenheck.com, either on the specific product page or in the literature section of the website at Greenheck.com/Resources/Library/Literature.