

# Wall Exhaust and Supply Fans Model AER

## Axial – Efficient & Reliable Propeller Fan

For efficient air movement, look no further than Greenheck's AER direct drive sidewall fan! With 30% higher maximum flow compared to existing direct drive options, the AER serves all your clean air application needs. Constructed from corrosion-resistant galvanized steel and incorporating a high-efficiency cast aluminum airfoil propeller, the AER outclasses the competition. Package AER with any of our standard sidewall options or accessories for all your wall mounted fan needs!

AER puts our customers first – pairing a competitively priced, high quality and efficient design with simplified maintenance and installation to provide you the best value in the market.

Available in a full range of sizes between 20 and 60 inches with capacities up to 78,600 cfm and 2.45 in. wg. Model AER combines the industry's largest performance range with infinite pitch variation in our CAPS® and eCAPS® software, resulting in optimized selections for your next application.

Designed to efficiently ventilate in typical installations including factories, warehouses and other industrial environments. Fans are designed for wall mounted clean air applications and can be configured with our standard options and accessories.

New fan design improves efficiency, increases overall structural strength and reduces sound. Optional Vari-Green® EC motors, for supply and exhaust applications, provide the efficiency and control you need in energy-conscious facilities.



## Performance

| Model                     | Max. Motor HP | Max. Fan RPM | Max. CFM | Max. Static Pressure in. wg |
|---------------------------|---------------|--------------|----------|-----------------------------|
| <b>Supply and Exhaust</b> |               |              |          |                             |
| AER-20                    | 1.5           | 1750         | 7,071    | 1.60                        |
| AER-24                    | 3             | 1750         | 12,357   | 2.05                        |
| AER-30                    | 3             | 1750         | 17,064   | 2.12                        |
| AER-36                    | 7.5           | 1750         | 29,070   | 2.45                        |
| AER-42                    | 10            | 1160         | 40,265   | 2.10                        |
| AER-48                    | 10            | 1160         | 47,952   | 1.84                        |
| AER-54                    | 20            | 860          | 64,929   | 2.01                        |
| AER-60                    | 20            | 860          | 78,600   | 1.99                        |



Model AER with  
**VARI-GREEN**  
 by GREENHECK



Wall Exhaust and Supply Fan models are listed for electrical (UL/cUL 705) File no. E40001

UL is optional and must be specified

## Model Specifications

Model AER - Direct drive, axial type sidewall fans shall be provided as follows:

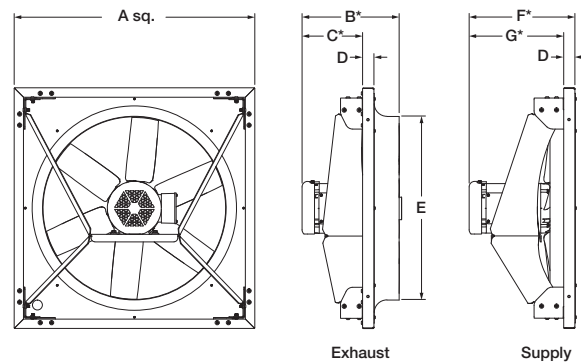
Propellers shall be constructed with cast aluminum blades and hubs. A standard square key and set screw or tapered bushing shall lock the propeller to the motor shaft. All propellers shall be statically and dynamically balanced.

Motors shall be permanently lubricated, heavy duty type, carefully matched to the fan load and furnished at the specified RPM, voltage, phase, and enclosure.

Motor drive frame assemblies and fan panels shall be galvanized steel. Drive frame assemblies shall be formed steel and fan panels shall have prepunched mounting holes, formed flanges, and an insertable drop-in venturi. Drive frames and panels shall be bolted construction.

Fans shall be Model AER as manufactured by Greenheck Fan Corporation, Schofield Wisconsin, U.S.A.

## Dimensions



| Fan Size | A            | B*                                      |   | C*                                      |   | D                                    | E                                       | F*                                      |   | G*                                      |   | Damper Size Sq. |
|----------|--------------|---|---|---|---|--------------------------------------|---|---|---|---|---|-----------------|
|          |              | Min.                                    | Max.                                    | Min.                                    | Max.                                    |                                      |   | Min.                                    | Max.                                    | Min.                                    | Max.                                    |                 |
| 20       | 26<br>(66)   | 10 <sup>1</sup> / <sub>4</sub><br>(26)  | 19 <sup>1</sup> / <sub>4</sub><br>(49)  | 5 <sup>1</sup> / <sub>4</sub><br>(13)   | 14 <sup>1</sup> / <sub>4</sub><br>(36)  | 1 <sup>1</sup> / <sub>2</sub><br>(4) | 20 <sup>1</sup> / <sub>2</sub><br>(52)  | 12 <sup>1</sup> / <sub>8</sub><br>(31)  | 20<br>(51)                              | 10 <sup>5</sup> / <sub>8</sub><br>(27)  | 18 <sup>1</sup> / <sub>2</sub><br>(47)  | 22<br>(56)      |
| 24       | 32<br>(81)   | 10 <sup>1</sup> / <sub>4</sub><br>(26)  | 19 <sup>3</sup> / <sub>4</sub><br>(50)  | 5 <sup>1</sup> / <sub>4</sub><br>(13)   | 14 <sup>3</sup> / <sub>4</sub><br>(37)  | 1 <sup>1</sup> / <sub>2</sub><br>(4) | 24 <sup>1</sup> / <sub>2</sub><br>(62)  | 12 <sup>1</sup> / <sub>8</sub><br>(31)  | 20 <sup>3</sup> / <sub>4</sub><br>(53)  | 10 <sup>5</sup> / <sub>8</sub><br>(27)  | 19 <sup>3</sup> / <sub>8</sub><br>(49)  | 26<br>(66)      |
| 30       | 38<br>(97)   | 10 <sup>5</sup> / <sub>8</sub><br>(26)  | 19 <sup>1</sup> / <sub>2</sub><br>(50)  | 5 <sup>1</sup> / <sub>8</sub><br>(13)   | 14 <sup>1</sup> / <sub>2</sub><br>(37)  | 1 <sup>1</sup> / <sub>2</sub><br>(4) | 30 <sup>1</sup> / <sub>2</sub><br>(78)  | 13 <sup>1</sup> / <sub>4</sub><br>(34)  | 21 <sup>1</sup> / <sub>2</sub><br>(55)  | 11 <sup>3</sup> / <sub>4</sub><br>(30)  | 20 <sup>1</sup> / <sub>4</sub><br>(51)  | 32<br>(81)      |
| 36       | 44<br>(112)  | 9 <sup>3</sup> / <sub>4</sub><br>(25)   | 22 <sup>1</sup> / <sub>2</sub><br>(57)  | 4 <sup>3</sup> / <sub>4</sub><br>(12)   | 17 <sup>1</sup> / <sub>2</sub><br>(44)  | 1 <sup>1</sup> / <sub>2</sub><br>(4) | 36 <sup>1</sup> / <sub>2</sub><br>(93)  | 13 <sup>3</sup> / <sub>4</sub><br>(35)  | 25 <sup>1</sup> / <sub>4</sub><br>(65)  | 12 <sup>1</sup> / <sub>4</sub><br>(31)  | 24 <sup>1</sup> / <sub>4</sub><br>(62)  | 38<br>(97)      |
| 42       | 50<br>(127)  | 13<br>(33)                              | 23 <sup>3</sup> / <sub>8</sub><br>(60)  | 6 <sup>1</sup> / <sub>2</sub><br>(17)   | 17 <sup>1</sup> / <sub>8</sub><br>(44)  | 1 <sup>1</sup> / <sub>2</sub><br>(4) | 42 <sup>1</sup> / <sub>2</sub><br>(108) | 15 <sup>3</sup> / <sub>4</sub><br>(40)  | 27 <sup>1</sup> / <sub>2</sub><br>(70)  | 14 <sup>1</sup> / <sub>4</sub><br>(36)  | 15 <sup>1</sup> / <sub>2</sub><br>(39)  | 44<br>(112)     |
| 48       | 56<br>(142)  | 13 <sup>1</sup> / <sub>4</sub><br>(34)  | 23 <sup>3</sup> / <sub>4</sub><br>(60)  | 6 <sup>1</sup> / <sub>4</sub><br>(16)   | 16<br>(41)                              | 1 <sup>1</sup> / <sub>2</sub><br>(4) | 48 <sup>1</sup> / <sub>2</sub><br>(123) | 17<br>(43)                              | 28 <sup>1</sup> / <sub>2</sub><br>(72)  | 26<br>(66)                              | 27<br>(69)                              | 50<br>(127)     |
| 54       | 62<br>(1575) | 20<br>(508)                             | 30 <sup>3</sup> / <sub>8</sub><br>(772) | 12 <sup>1</sup> / <sub>2</sub><br>(318) | 22 <sup>7</sup> / <sub>8</sub><br>(575) | 2<br>(51)                            | 55<br>(1397)                            | 23 <sup>1</sup> / <sub>2</sub><br>(597) | 33 <sup>3</sup> / <sub>4</sub><br>(857) | 21 <sup>1</sup> / <sub>2</sub><br>(546) | 31 <sup>3</sup> / <sub>4</sub><br>(807) | 56<br>(1422)    |
| 60       | 68<br>(1727) | 19 <sup>3</sup> / <sub>4</sub><br>(502) | 30<br>(762)                             | 11 <sup>1</sup> / <sub>4</sub><br>(286) | 21 <sup>5</sup> / <sub>8</sub><br>(549) | 2<br>(51)                            | 61<br>(1549)                            | 24 <sup>5</sup> / <sub>8</sub><br>(626) | 35<br>(889)                             | 22 <sup>5</sup> / <sub>8</sub><br>(575) | 33<br>(838)                             | 62<br>(1575)    |

All dimensions given in inches (cm). \*Varies with motor selection.

## Our Commitment

As a result of our commitment to continuous improvement, Greenheck reserves the right to change specifications without notice.

Product warranties can be found online at [Greenheck.com](http://Greenheck.com), either on the specific product page or in the literature section of the website at [Greenheck.com/Resources/Library/Literature](http://Greenheck.com/Resources/Library/Literature).



Prepared to Support  
 Green Building Efforts