

Application

Model RBD-15 is a remote balancing damper designed to regulate the flow of air in a HVAC system. They are not intended to be used in applications as a positive shut off or for automatic control. The design incorporates heavy gauge galvanized steel construction for durability and longevity.

Ratings

Pressure

Up to 4 in. wg (1 kPa) - pressure differential

Velocity

Operational rated up to 2000 fpm (10.2 m/s)

Temperature

Maximum: 250°F (121°C) with all actuators

Pressure

Maximum; 6 in. wg (1.5 kPa)

Construction

	Standard	Optional
Frame Material	Galvanized Steel	-
Frame Thickness	16 ga. (1.5mm)	-
Frame Type	5 in. x 1 in. (127mm x 25mm) Channel	-
Blade Material	Galvanized steel	-
Blade Thickness	16 ga. (1.5mm)	-
Blade Type	3V	-
Blade Operation	Opposed	Parallel
Axles	Integral ½ in. (13mm) dia.	-
Axle Bearings	Synthetic (acetal) sleeve	-
Linkage Material	Plated Steel	-
Operator	9 volt actuator (shipped as a kit for field installation)	-

Size Limitations

W x H	Minimum Size*	Maximum Size
		Single Section
Inches	6 x 6	4 sq. ft.**
mm	152 x 152	.372 sq. meters
* Note: If the height is less than 9 in. (229mm) or less, the damper will have one blade.		
** Width and Height limited to 48 in. (1219mm).		



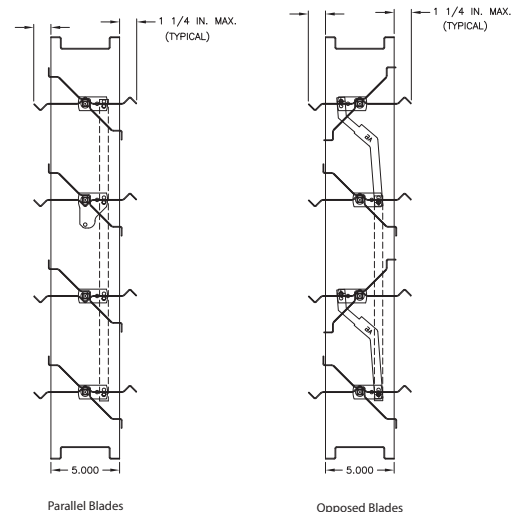
*W & H dimension furnished approximately ¼ in. (6mm) undersize.
 Actuator kit is shipped loose for field assembly.

Features

- Linkage concealed in jamb

Options

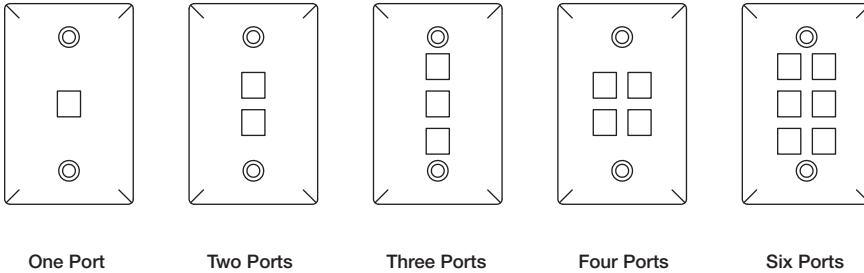
- Clean wrap



Accessories

- Diffuser connectors
- Single gang wall plates with ports (1,2, 3, 4 or 6 port)
 - Colors: white, or stainless steel
- Round wall/ceiling mounting plate with one port
- Single gang outlet box
- 'EZ Balance' remote control device (9 volt battery and 5 foot (1524mm) of cable included)
- 5, 14, 25 or 50 foot (1524, 4267, 7620 or 15,240mm) plenum rated cable
- Cable connectors

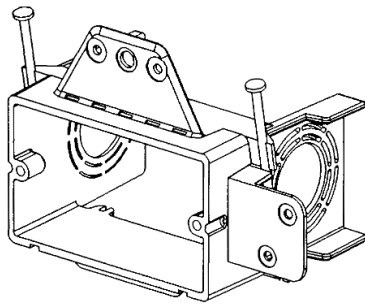
Wall plates with ports



White wall plate dimension is 3¼ in. x 4¾ in. (83mm x 121mm).

Stainless steel wall plate dimension is 2¾ in. x 4½ in. (70mm x 114mm).

Single gang box

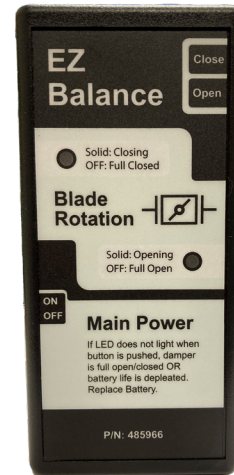


Round wall/ceiling plate



3¼ in. (83mm) diameter

EZ Balance remote



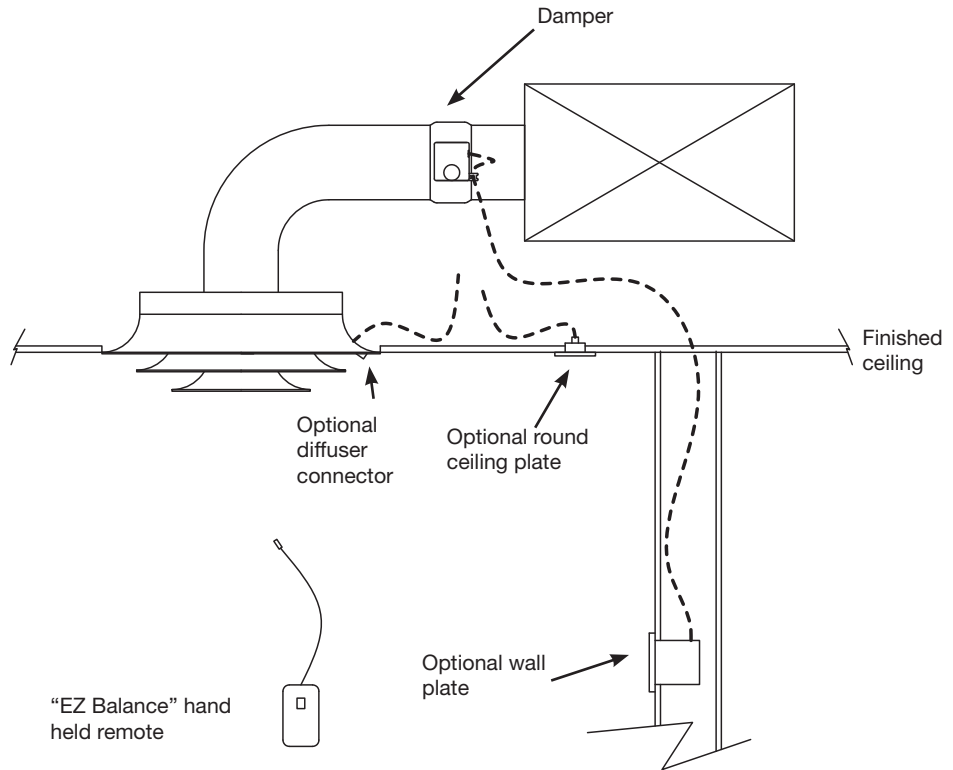
Performance Data

Maximum recommended system pressure and velocity ratings are conservative to prevent misapplication. Dampers are structurally capable of withstanding higher limits, however it is recommended that Greenheck be contacted for an engineering evaluation before exceeding these limits.

Temperature: Applications above 180°F (82°C) may require special considerations.

Damper Width in. (mm)	Maximum System Pressure in. wg (kPa)	Maximum System Velocity fpm (m/s)
48 (1219)	2 (.5)	2000 (10.2)
36 (914)	2.5 (.63)	
24 (610)	3 (.75)	
12 (305)	4 (1)	

Note:
All wire connections are made with prewired RJ11 plugs and sockets. No additional wiring or tools required.



Note: Utilizing any controller other than 'EZ Balance' remote to adjust the RBD-15 damper voids the actuator warranty.

"EZ Balance" hand held remote

Document Links

[Instruction Manuals](#)

[HVAC Control and Balancing Damper Catalog](#)

[Specifications](#)



[Interactive Damper Selection Guide](#)

[Warranty](#)

