

Application

Model ABD-FD is an automatic balancing damper with a UL 555 rated 1½ or 3 hour static fire damper. The damper is designed to maintain a constant airflow volume in HVAC applications. The damper blade is calibrated to automatically adjust to changing pressures. The assembly will include an UL 2043 rated ABD, flanged sleeve, UL 555 rated curtain fire damper (FD-150 or FD-350), and optional grille. The ABD-FD can be used in both supply and exhaust applications, and must be mounted vertically.

Ratings

Pressure

0.2 in wg to 2.0 in. wg (0.05 kPa to 0.5 kPa)

Volume

25 cfm to 275 cfm (0.012 m³/s to 0.130 m³/s) size dependent

Temperature

25°F to 150°F (-4°C to 65°C)

UL Classified

UL 2043 for heat and visible smoke release

UL 555 for fire resistance

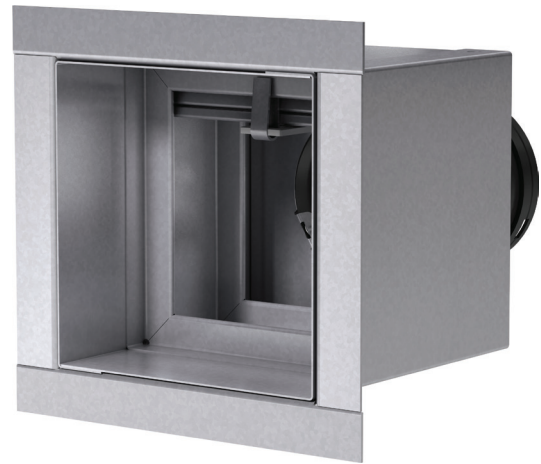
ABD Construction

	Standard
Frame Material	Reinforced UL 94 Thermoplastic Resins
Blade Material	Reinforced UL 94 Thermoplastic Resins
Bearings	Hydraulic blade dampener
Outer Seal	Removable rubber gasket
Spring	Stainless steel leaf type
Anti-Microbial Agent	Steri-Balance™ infused into plastic
Adapter	Quick-connect adapter ring included

Fire Damper Construction

	Standard	Optional
Frame Material	Galvanized steel*	-
Frame Depth	3 ¹¹ / ₁₆ in. (94mm)	-
Blade Material	Galvanized steel*	-
Closure Spring	Stainless steel	-
Fusible Link	165°F (74°C)	212°F (100°C)
Mounting	Vertical	Horizontal (FD-150 only)

* in gauges required by UL listing R13317



See complete marking on product.

UL 2043 Classification R39668 (ABD)

UL 555 Classification

R13317 (FD-150 or FD-350)

Airflow Range by Size

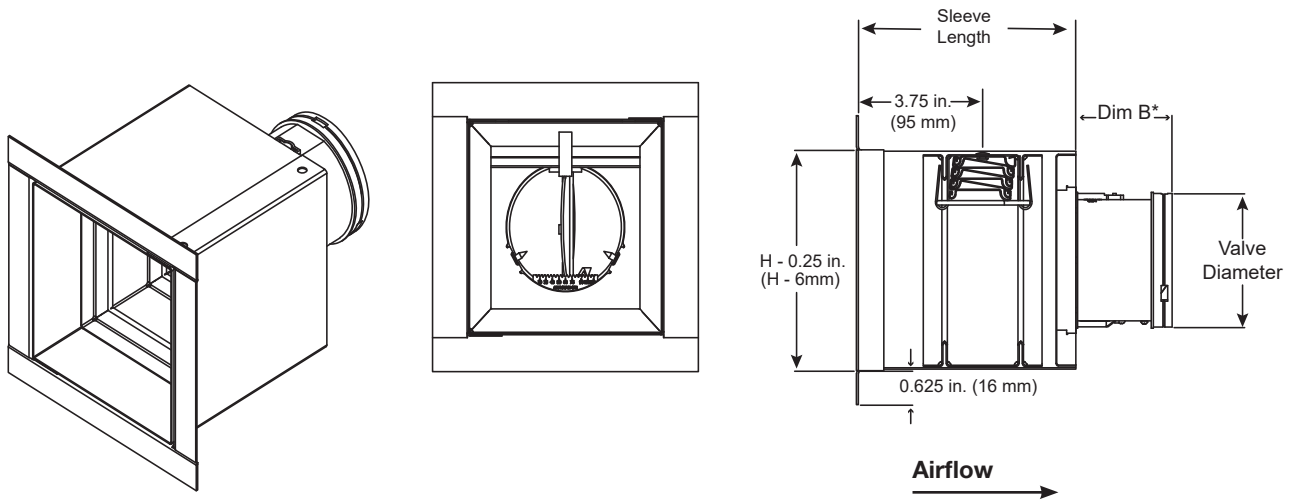
Diameter (mm)	Individual Set Points	Airflow Range - CFM* (m³/s)
4 in (102)	20	25 to 130 (.012 to .061)
6 in (152)	24	50 to 275 (.024 to .130)

* Note: Airflow range determined through +/- 10% of average airflow over the pressure range.

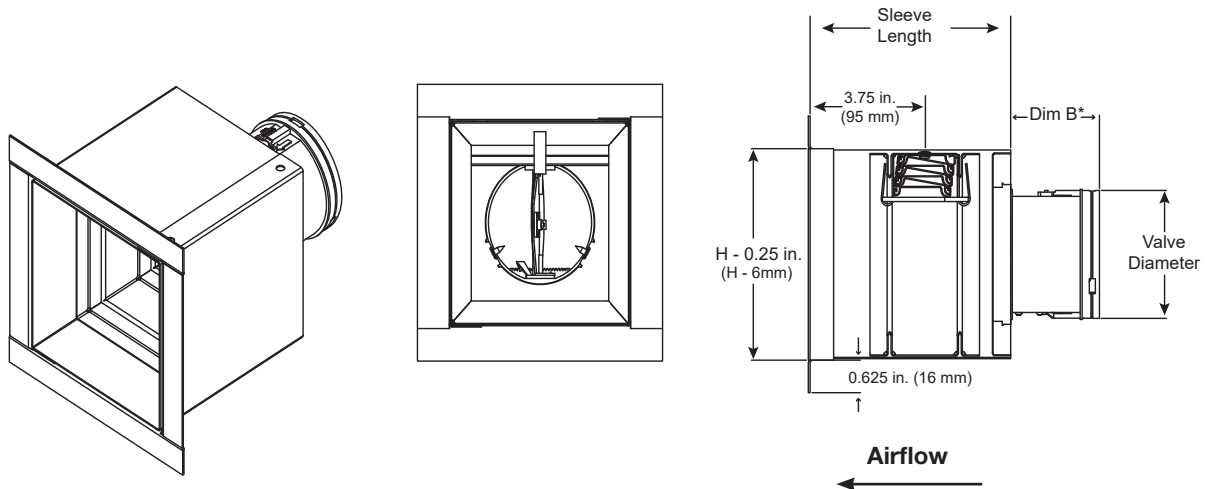
Grille and Damper Size by Diameter

Diameter (mm)	Grille and Damper Size in inches (mm)
4 in (102)	6 x 6, 8 x 8, 10 x 10, and 12 x 12 (152 x 152, 203 x 203, 254 x 254, and 305 x 305)
6 in (152)	8 x 8, 10 x 10, and 12 x 12 (203 x 203, 254 x 254, and 305 x 305)

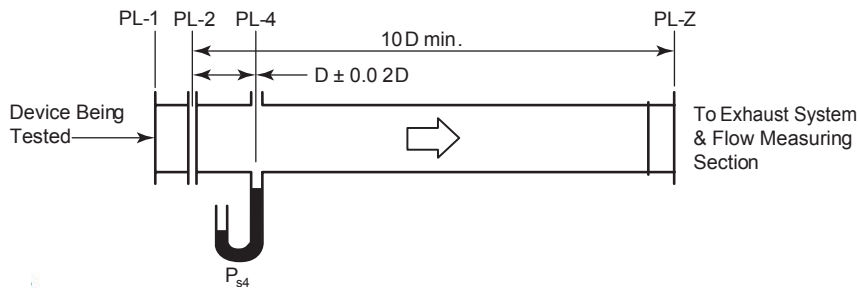
Dimensional Drawings - Exhaust Mount



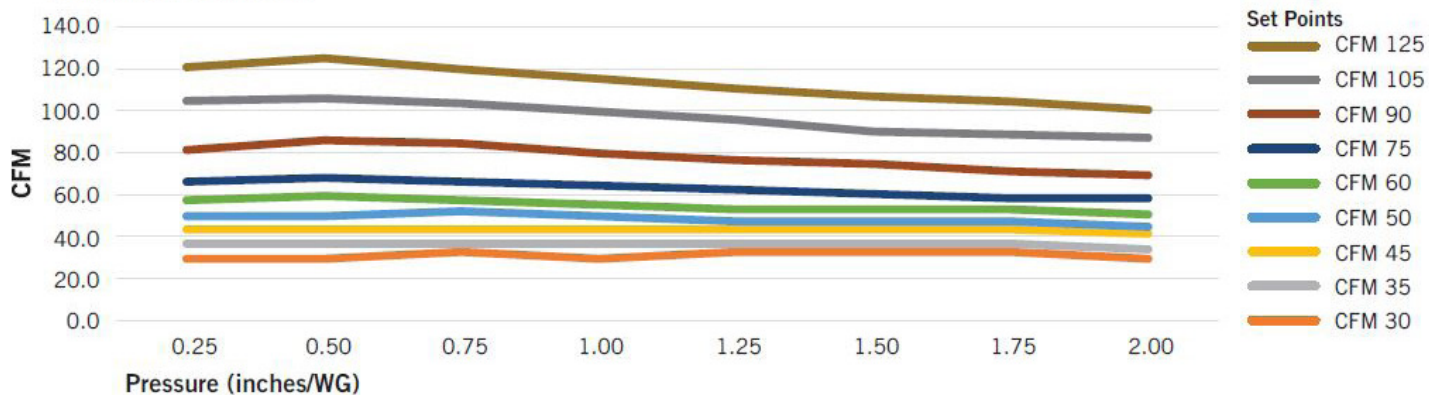
Dimensional Drawings - Supply Mount



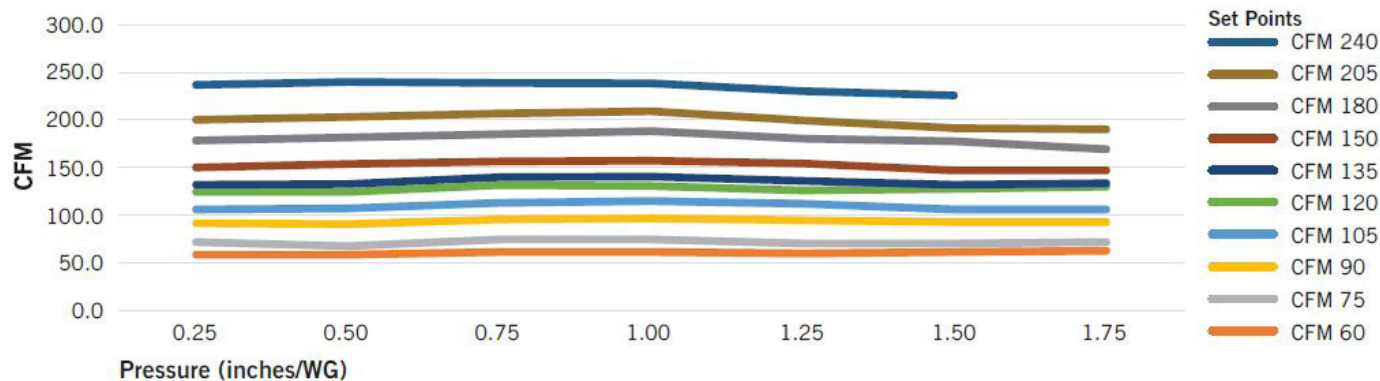
Valve Diameter (mm)	Dim B* (mm)
4 in. (102)	2.875 in. (73)
6 in. (152)	4.655 in. (118)



ABD - 4 and 5 inch



ABD - 6 inch



Document Links



[INSTALLATION](#)



[CATALOG](#)



[SELECTION GUIDE](#)



[WARRANTY](#)

