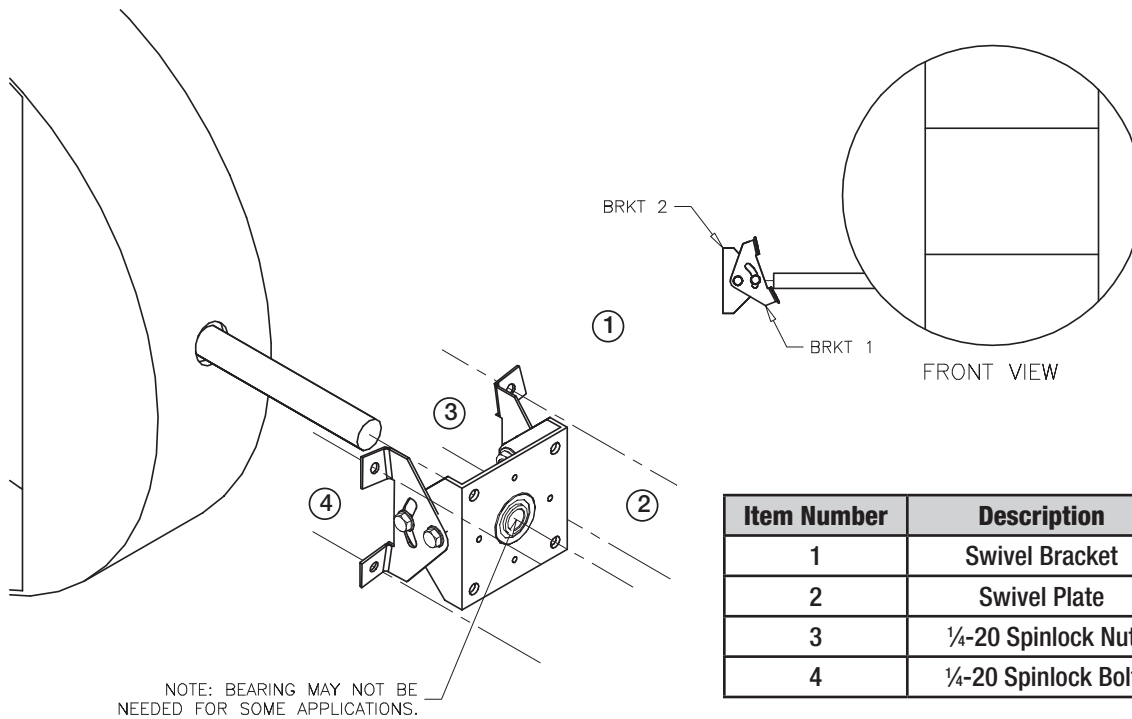


## Installation Instructions For Extension Pin Kit

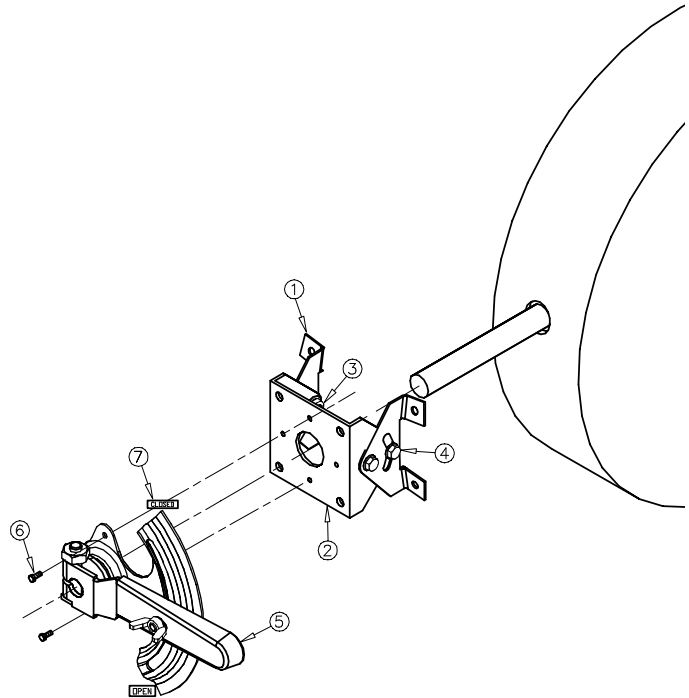
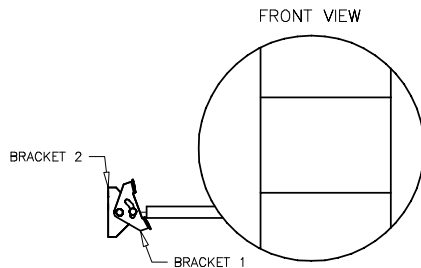
- 1) Assemble loosely the swivel bracket onto the swivel plate with nuts and bolts provided.
- 2) Line up centerline of hole in the swivel plate with the centerline of the damper shaft. Slide the assembly onto the damper shaft until the four mounting feet of the swivel bracket are in contact with the duct.
- 3) Attach swivel brackets to duct using fasteners supplied by the installer. Maintain center alignment and adjustment of the swivel plate so that the face of the bracket is perpendicular with the damper shaft.
- 4) Tighten the nuts and bolts to lock the swivel bracket to the swivel plate.



Item Number	Description	Qty
1	Swivel Bracket	2
2	Swivel Plate	1
3	¼-20 Spinlock Nut	4
4	¼-20 Spinlock Bolt	4

## Installation Instructions For Manual Quadrant Kit

- 1) Place the OPEN decal over the SHUT stamp and the CLOSED decal over the OPEN stamp on the manual quadrant.
- 2) Attach the manual quadrant to the swivel plate using #10 x 1/2 in. screws that are provided.
- 3) Assemble loosely swivel brackets onto the swivel plate with the nuts and bolts provided.
- 4) Line up the centerline of hole in the swivel plate with the centerline of the damper shaft. Slide the assembly onto the damper shaft until the four mounting feet of swivel bracket are in contact with the duct.
- 5) Attach the swivel brackets to duct using fasteners supplied by the installer. Maintain center alignment and adjustment of the swivel plate so that the face of the bracket is perpendicular with the damper shaft.
- 6) Tighten the nuts and bolts to lock the swivel bracket to the swivel plate.
- 7) Place the quadrant lever in the open position and damper blades in the full open position.
- 8) Tighten the bolt on the manual quadrant to secure it to the damper shaft.
- 9) Adjust damper open/closed position to the desired setting. Tighten the manual quadrant with the wing nut.



Item Number	Description	Qty
1	Swivel Bracket	2
2	Swivel Plate	1
3	1/4-20 Spinlock Nut	4
4	1/4-20 Spinlock Bolt	4
5	1/2 in. dia. Manual Quadrant	1
6	#10 x 1/2 in. HWH TEK ZP	2
7	OPEN and CLOSED decals	1

## Our Commitment

As a result of our commitment to continuous improvement, Greenheck reserves the right to change specifications without notice.

Product warranties can be found online at [Greenheck.com](http://Greenheck.com), either on the specific product page or in the literature section of the website at [Greenheck.com/Resources/Library/Literature](http://Greenheck.com/Resources/Library/Literature).

