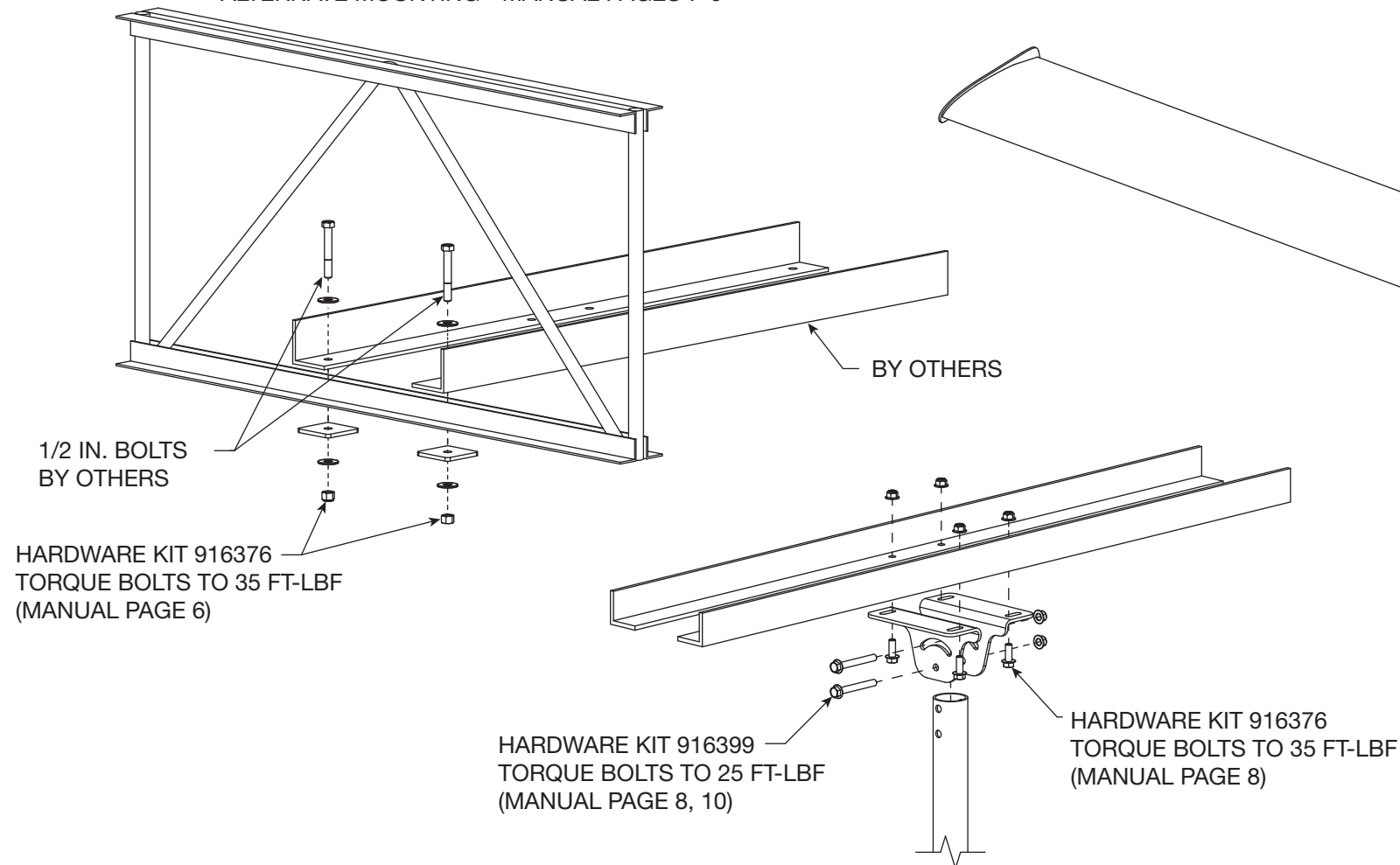


QUICK START GUIDE FOR COMMERCIAL FAN INSTALLATION

- REFER TO INSTALLATION MANUAL FOR COMPLETE INSTALLATION INFORMATION
 - THIS QUICK START GUIDE DOES NOT REPLACE INSTALLATION MANUAL INSTRUCTIONS

STEP #1 STEEL TRUSS INSTALLATION

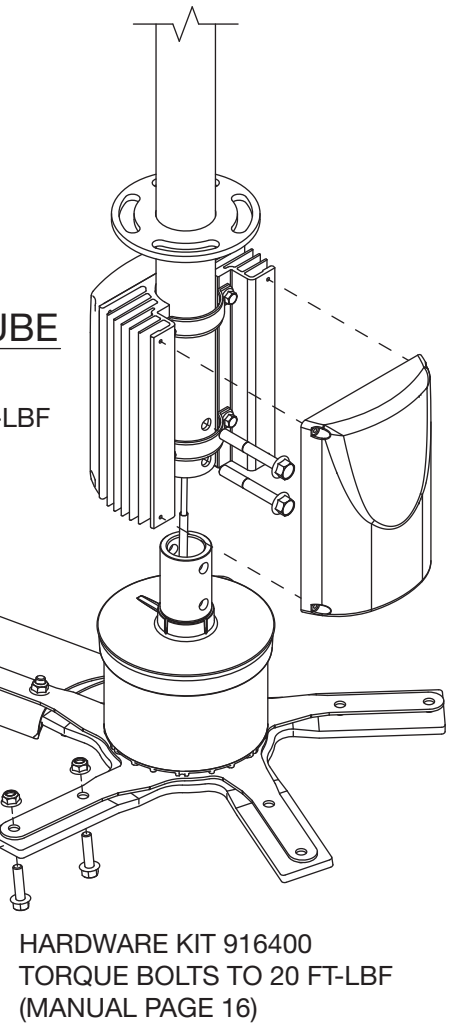
ALTERNATE MOUNTING - MANUAL PAGES 7-9



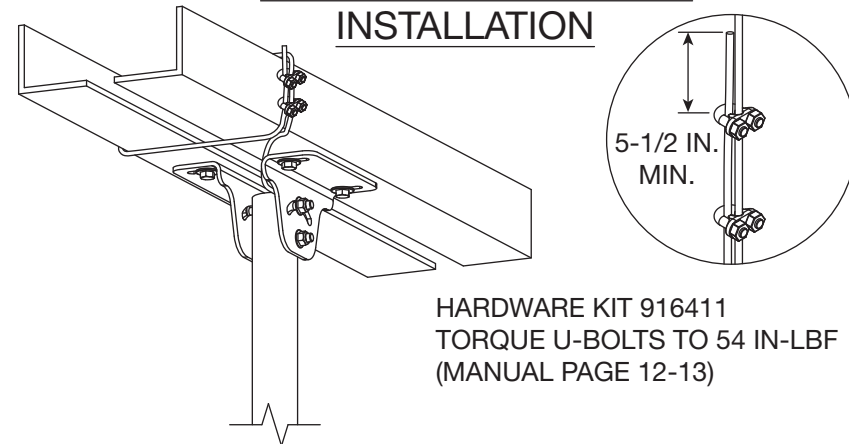
STEP #2 MOTOR TO DOWNTUBE

HARDWARE KIT 916399
 TORQUE BOLTS TO 33 FT-LBF
 (MANUAL PAGE 10)

STEP #4 AIRFOIL INSTALLATION



STEP #3 SAFETY CABLE INSTALLATION



GUY WIRE INSTALLATION (IF INCLUDED) - MANUAL PAGES 14-15

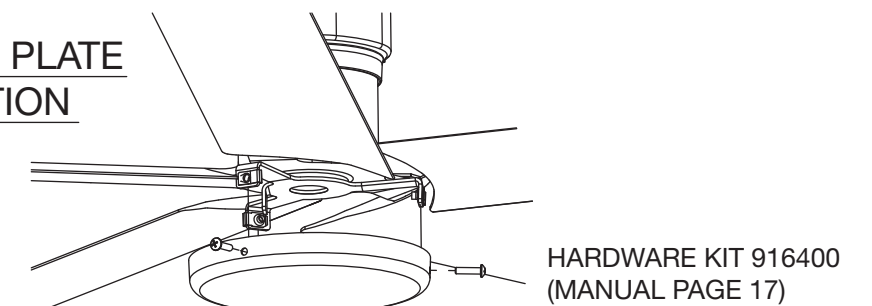
STEP #5 INSTALL WINGLET

HARDWARE KIT 916400
 TORQUE SCREWS TO 60 IN-LBF
 (MANUAL PAGE 16)

TOOL LIST

- IMPACT DRIVER
- 1/2 IN. AND 9/16 IN. SOCKETS
- 1/2 IN. WRENCH
- #2 PHILLIPS SCREWDRIVER
- #2 PHILLIPS IMPACT BIT
- MAGNETIC TORPEDO LEVEL
- TORQUE WRENCH (UP TO 50 FT-LBF)
- TORQUE WRENCH (UP TO 120 IN-LBF)

STEP #6 HUB PLATE INSTALLATION



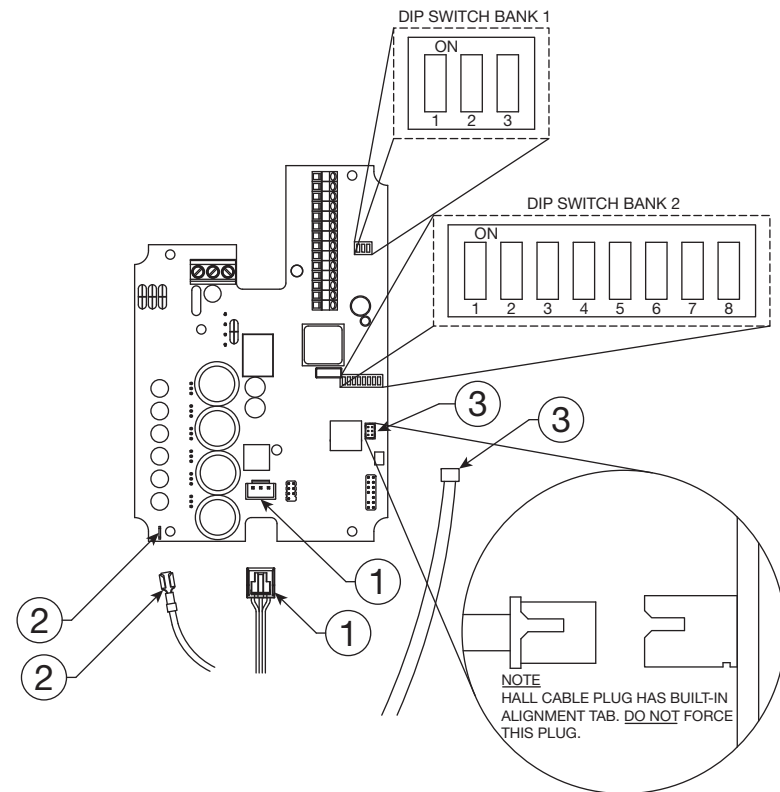
FAN NETWORKING

FOR ALL WIRING AND NETWORKING - SEE MANUAL PAGES 11-12

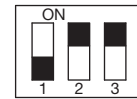
HELPFUL HINT

ALL NETWORKING MODIFICATIONS CAN BE COMPLETED PRIOR TO BLADE INSTALLATION.

MOTOR-TO-VFD WIRING AND DIP SWITCH BANK LOCATIONS



DIP SWITCH BANK 1 SETTINGS



FAN 1



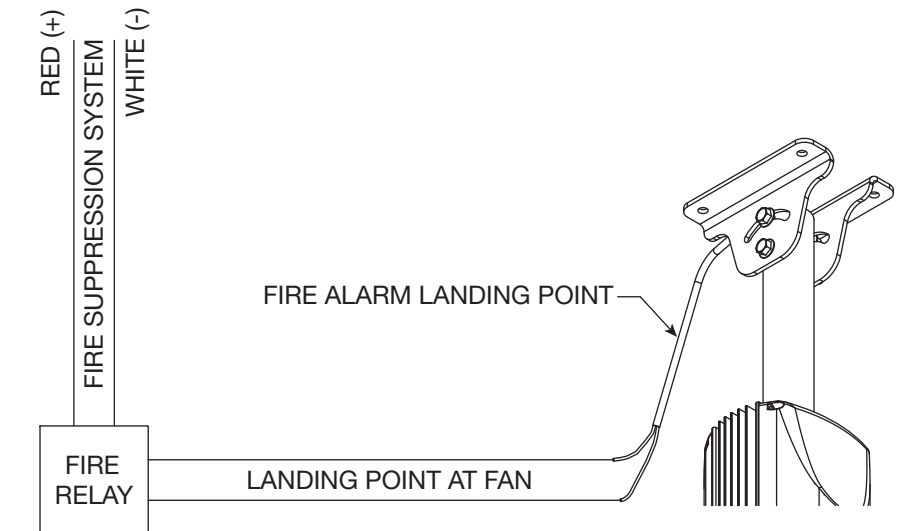
ALL OTHER FANS
IN SERIES

DIP SWITCH BANK 2 SETTINGS (MODBUS ADDRESSES)

MODBUS ADDRESS	SWITCH 1	SWITCH 2	SWITCH 3	SWITCH 4	SWITCH 5	SWITCH 6, 7, 8
2	ON	OFF	OFF	OFF	OFF	DO NOT MODIFY
3	OFF	ON	OFF	OFF	OFF	
4	ON	ON	OFF	OFF	OFF	
5	OFF	OFF	ON	OFF	OFF	
6	ON	OFF	ON	OFF	OFF	
7	OFF	ON	ON	OFF	OFF	
8	ON	ON	ON	OFF	OFF	
9	OFF	OFF	OFF	ON	OFF	
10	ON	OFF	OFF	ON	OFF	
11	OFF	ON	OFF	ON	OFF	

FIRE RELAY INSTALLATION AND WIRING

20 TO 32 VDC



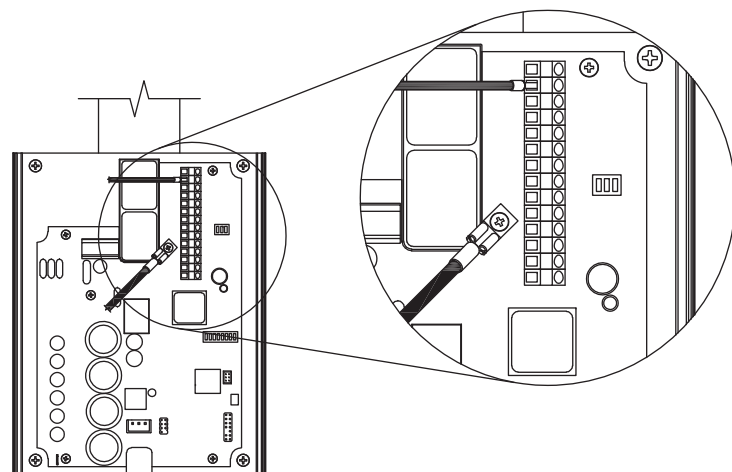
TO FAN WIRING

BLUE - COMMON
YELLOW - NORMALLY CLOSED
ORANGE - NORMALLY OPEN
(FAN DISABLED WHEN RELAY OPEN)

NOTE

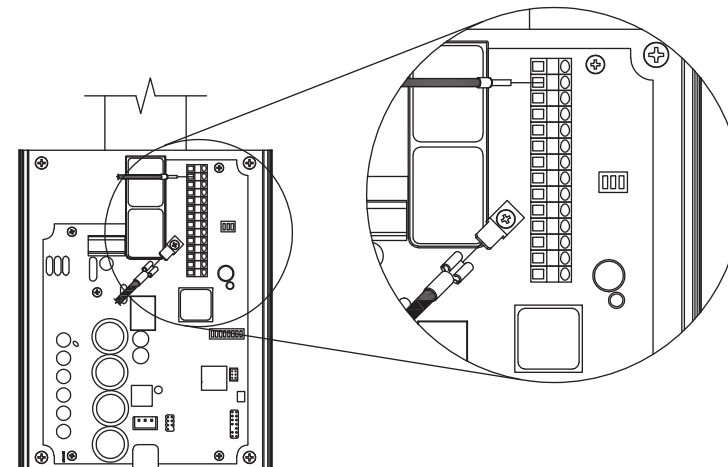
DO NOT CUT CABLE OR REMOVE CRIMP CAP IF NOT USING FIRE RELAY.

FIRST FAN IN SERIES



ALL OTHER FANS IN SERIES

- REMOVE BROWN/WHITE 24V WIRE AND CAP
- DO NOT REMOVE BROWN GROUND WIRE
- REMOVE SILVER SHIELD AND SECURE IN A WAY THAT PREVENTS CONTACT WITH VFD BOARD



POST INSTALLATION CHECKLIST

- ALL BOLTS TIGHTENED PROPERLY
- ONLY USED SHIELDED NETWORKING COMPONENTS PROVIDED
- MODBUS ADDRESSES SET
- SAFETY CABLE INSTALLED PROPERLY
- VERIFY POWER AND NETWORKING CABLES CONNECTED