

---

**SERIES 92/93**

# **PNEUMATIC ACTUATORS AND ACCESSORIES**



 **Bray**<sup>®</sup>

[BRAY.COM](http://BRAY.COM)

THE HIGH PERFORMANCE COMPANY



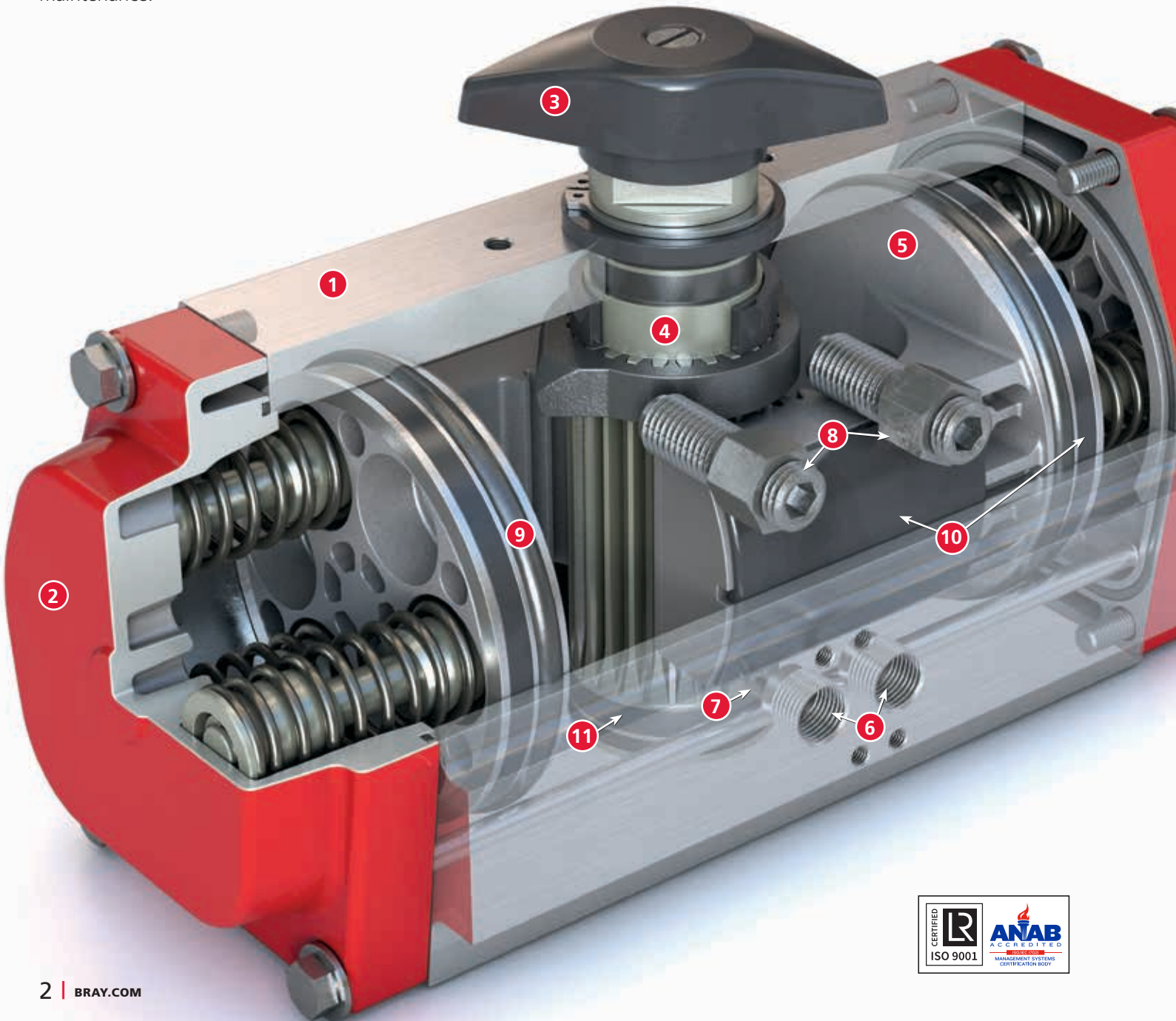
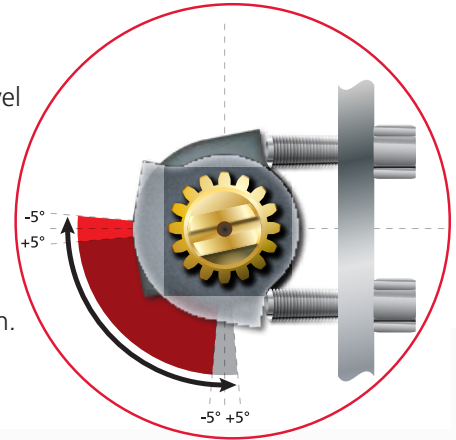
## DIRECT MOUNTING

Bray actuators comply with ISO 5211 dimensions and mount directly to Bray valves without using external linkages. Field installation is simple, misalignment is minimized and contamination buildup between valve and actuator is reduced.

Series 92/93 actuators are completely enclosed and self contained, with permanently lubricated bearings and guides which minimize maintenance.

## TRAVEL STOP ADJUSTMENT

The 0° and 90° travel positions have travel adjustments of +5° maximum to -5° minimum. Extended travel stops are also offered as an option.





- 1 **Body**
- 2 **End Caps**
- 3 **Position Indicator**
- 4 **Output Shaft and Pinion Gear**
- 5 **Pistons**
- 6 **Pneumatic Supply Ports**  
Available imperial or metric. NAMUR interface for accessory mounting is standard on all actuator sizes.
- 7 **Integral Porting**  
Reduces the cost of external tubing that is also easily damaged.
- 8 **Travel Stops**  
Adjusting screws limit the travel of the actuator to specific degrees of rotation in both open and closed directions.
- 9 **Piston O-Ring Seals**
- 10 **Piston Guides and Rings**  
Provide low coefficient of friction and absorb the side thrusts of the pistons.
- 11 **Output Shaft Bearings**  
Top and bottom of the pinion.

### STANDARD MATERIALS SELECTION

<b>Body</b>	Extruded aluminum alloy, anodized 316 Stainless Steel
<b>End Caps</b>	Die cast aluminum alloy with corrosion resistant polyester coating 316 Stainless Steel
<b>Pistons</b>	Die cast aluminum alloy
<b>Output Shaft/Pinion</b>	Carbon steel, zinc plated
<b>Travel Stop</b>	Alloy steel
<b>Shaft Bearings</b>	Acetal
<b>Piston Guides</b>	Acetal
<b>Fasteners</b>	Stainless steel
<b>Springs</b>	Spring steel, protective coating
<b>Piston O-Ring Seals</b>	Buna-N
<b>Options</b>	Polyester coated body exterior Electroless nickel plated body exterior Hard anodized body exterior Seacorr coated body exterior Stainless steel pinion

### OPERATING CONDITIONS

<b>Output Torque</b>	Up to 44,130 Lb-in (4,986 N-m)
<b>Pressure Range</b>	40 - 140 psi (2.8 - 10 bar)
<b>Media</b>	Dry Compressed Air/Inert Gas
<b>Temperature Range</b>	Standard: -4°F to 200°F (-20°C to 93°C)
	Low: -40°F to 176°F (-40°C to 80°C)
	High: 0°F to 300°F (-18°C to 149°C)
	Extreme: Up to 482°F (250°C)

**Note:** Cycle life on low and high temperature seal kits reduced compared to standard Buna-N seals

<b>Series 92 Double Acting</b>	Available in 90°, 135°, 180° rotation
<b>Series 93 Spring Return</b>	Available in 90° Rotation

## PNEUMATIC ACTUATOR OPTIONS



Series 05 - Declutchable Gear Operator



Stainless Steel



Extended travel stops



BRAY FLOW CONTROL SOLUTIONS ARE AVAILABLE FOR A VARIETY OF INDUSTRIES.

**ENERGY**

Mining  
Oil & Gas  
Power / FGD  
Nuclear Power

**WATER**

Water / Wastewater  
Ultra Pure Water  
Desalination  
Irrigation

**INDUSTRIAL**

Chemical  
Pulp & Paper  
Textile  
Marine

**INFRASTRUCTURE**

Beverage & Food  
Transportation  
Heating, Ventilation & Air Conditioning (HVAC)



**US HEADQUARTERS**

Bray International, Inc.  
13333 Westland East Blvd.  
Houston, Texas 77041  
Tel: 281.894.5454

**CHINA HEADQUARTERS**

Bray Controls (ZheJiang) Co. Limited  
98 GaoXin # 6 Road  
XiaoShan Economic & Development Zone  
HangZhou, ZheJiang 311231, P.R. China  
Tel: 86 571 8285 2200

**EUROPE HEADQUARTERS**

Bray Armaturen & Antriebe Europa  
Halskestraße 25  
47877 Willich  
Germany  
Tel: +49 2154 8875-0

**INDIA HEADQUARTERS**

Bray Controls India Pvt. Ltd.  
Plot No. H-18 & H-19  
SIPCOT Industrial Park  
Vallam Vadagal, Echoor Post  
Sriperumbudur Taluk  
Kancheepuram District  
Tami Nadu - 631 604  
Tel: +91-44-67170100



THE SMART CHOICE FOR FLOW CONTROL SINCE 1986.  
WITH MORE THAN 300 LOCATIONS WORLDWIDE,  
FIND A REPRESENTATIVE NEAR YOU AT [BRAY.COM](http://BRAY.COM)

All statements, technical information, and recommendations in this bulletin are for general use only. Consult Bray representatives or factory for the specific requirements and material selection for your intended application. The right to change or modify product design or product without prior notice is reserved. Patents issued and applied for worldwide.