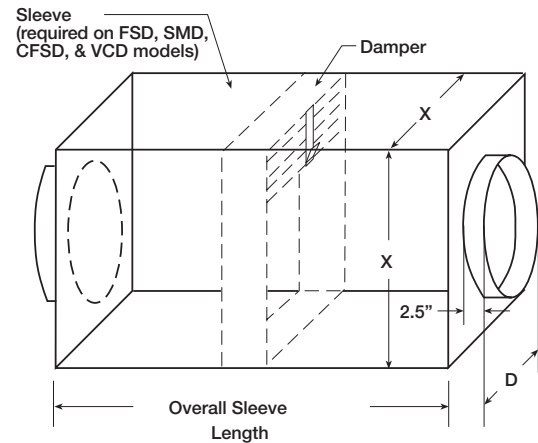


## Application

Round transitions are available as a 2 in. (51mm) offset, 1 in. (25mm) offset. Type 'R' transitions are centered on end of the sleeve for FSD, SMD, CFSD, and VCD models. Type 'R' transitions are centered on end of the sleeve or damper frame for DFD and FD models.

Transitions	
Offsets	
2 in. (51mm)	$X = D + 2 \text{ in.}$
1 in. (25mm)	$X = D + 1 \text{ in.}$
0 (size on size)	$X = D$
X = Nominal outside dimensions of damper frame (¼ in. [6mm] undersize)	
D= Nominal outside dimension of round transition (⅙ in. [3mm] undersize)	



DFD, FD Models		Transitions	Dimension "D"					
			FD-150	FD-150X	FD-350	DFD-150	DFD-150X	DFD-350
Vertical Mount	Minimum Size	2 (51)	3 (76)	6 (152)	3 (76)	3 (76)	6 (152)	3 (76)
		1 (25)	3 (76)	7 (178)	3 (76)	3 (76)	7 (178)	3 (76)
		0 (size on size)	4 (102)	n/a	4 (102)	4 (102)	n/a	4 (102)
Vertical Mount	Maximum Size	2 (51)	72 (1829)	46 (1168)	46 (1168)	58 (1473)	34 (864)	46 (1168)
		1 (25)	73 (1854)	47 (1194)	47 (1194)	59 (1499)	35 (889)	47 (1194)
		0 (size on size)	30 (762)	n/a	30 (762)	30 (762)	n/a	30 (762)
Horizontal Mount	Minimum Size	2 (51)	3 (76)	6 (152)	3 (76)	3 (76)	6 (152)	3 (76)
		1 (25)	3 (76)	7 (178)	3 (76)	3 (76)	7 (178)	3 (76)
		0 (size on size)	4 (102)	n/a	4 (102)	4 (102)	n/a	4 (102)
Horizontal Mount	Maximum Size	2 (51)	46 (1168)	46 (1168)	38 (965)	34 (864)	28 (711)	34 (864)
		1 (25)	47 (1194)	47 (1194)	39 (991)	35 (889)	29 (737)	35 (889)
		0 (size on size)	30 (762)	n/a	30 (762)	30 (762)	n/a	30 (762)

\* Dimension are in inches (mm). n/a = not available

## Type R Transitions

CFSD, FSD, SMD, and VCD Models		Transitions	Dimension "D"					
			SMD	FSD	CFSD-1	CFSD-2	CFSD-3	VCD
Vertical Mount	Minimum Size	2 (51)	4 (102)	4 (102)	n/a			4 (102)
		1 (25)	7 (178)	7 (178)	n/a			7 (178)
		0 (size on size)	8 (203)	8 (203)	n/a			8 (203)
	Maximum Size	2 (51)	82 (2083)	82 (2083)	n/a			72 (1829)
		1 (25)	83 (2108)	83 (2108)	n/a			73 (1854)
		0 (size on size)	30 (762)	30 (762)	n/a			30 (762)
Horizontal Mount	Minimum Size	2 (51)	4 (102)	4 (102)	4 (102)			4 (102)
		1 (25)	7 (178)	7 (178)	7 (178)			5 (127)
		0 (size on size)	8 (203)	8 (203)	8 (203)			6 (152)
	Maximum Size	2 (51)	82 (2083)	82 (2083)	22 (559)			72 (1829)
		1 (25)	83 (2108)	83 (2108)	23 (584)			73 (1854)
		0 (size on size)	30 (762)	30 (762)	24 (610)			30 (762)

\* Dimension are in inches (mm). n/a = not available