

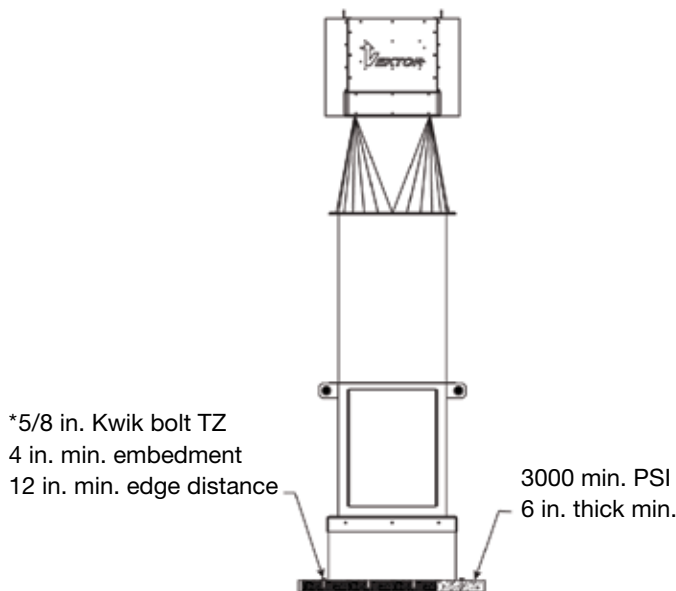
Installation, Operation and Maintenance Manual

Please read and save these instructions for future reference. Read carefully before attempting to assemble, install, operate or maintain the product described. Protect yourself and others by observing all safety information. Failure to comply with these instructions will result in voiding of the product warranty and may result in personal injury and/or property damage.

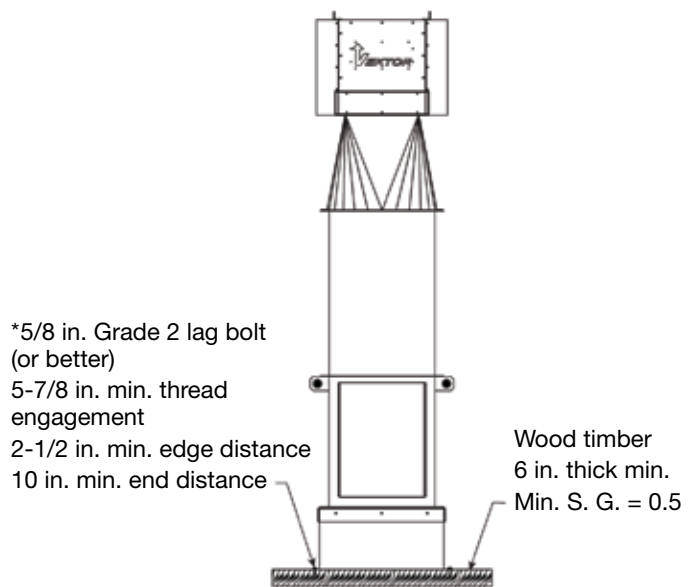
Installation methods for Greenheck Vektor-H and Vektor-HS fans with Miami-Dade NOA Certification per NOA No. 22-0217.03

Must be installed with Greenheck model GPFHD curb.

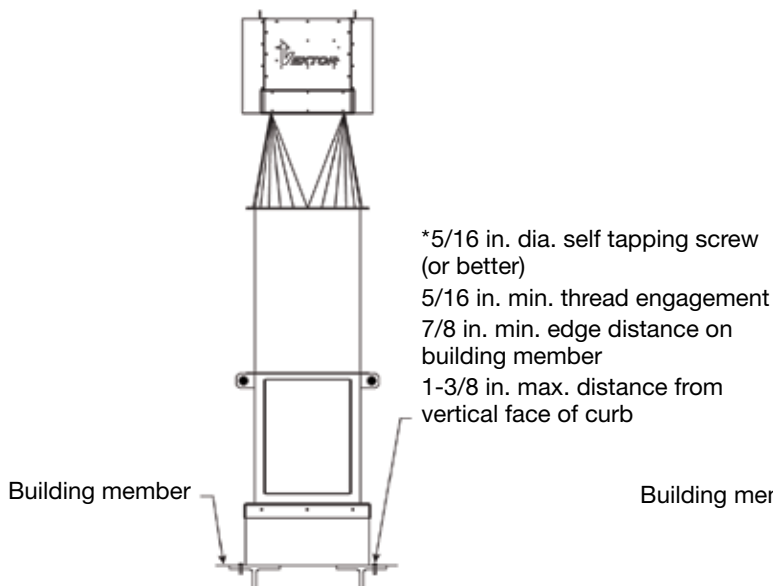
Concrete Deck Anchoring



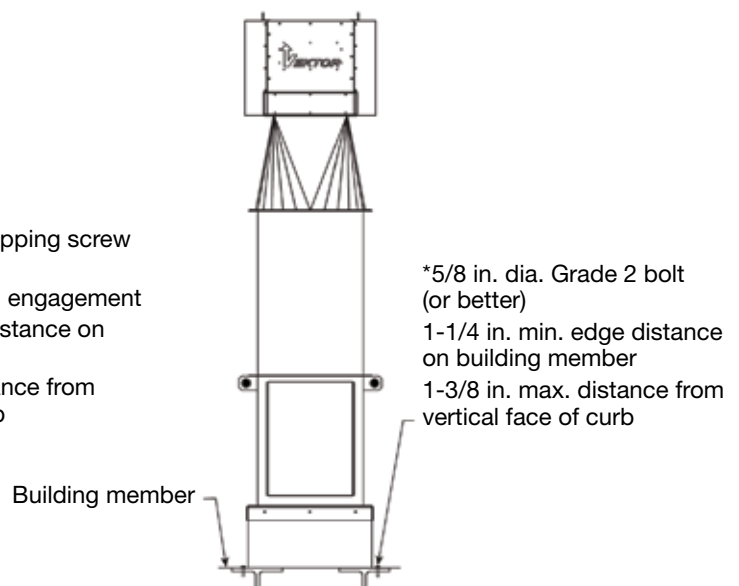
Timber Anchoring



Steel Anchoring – Self Drill / Tap Fasteners



Steel Anchoring – Thru Bolts



*Fasteners installed per manufacturer's instructions.

Model	MINIMUM NUMBER OF FASTENERS PER SIDE TO ATTACH CURB TO STRUCTURE (excludes 4 corner fasteners) USE ONE 2 in. x 2 in. x 1/4 in. SQUARE WASHER UNDER ALL FASTENERS																	
	Concrete Deck Anchoring			Steel Anchoring Thru Bolts			Timber Anchoring			Steel Anchoring Self-Drill/Tap								
	1x1 or fan only	2x1	3x1	1x1 or fan only	2x1	3x1	1x1 or fan only	2x1	3x1	1x1 or fan only	2x1	3x1						
Vektor-H-9	4	9	14	2	5	8	5	10	16	7	13	20						
Vektor-H-10																		
Vektor-H-12																		
Vektor-H-13																		
Vektor-H-14																		
Vektor-H-16																		
Vektor-H-18		8	13				3	6	9				6	12	18	8	14	22
Vektor-H-20																		
Vektor-H-22																		
Vektor-H-24	5	10	15	3	6	9	6	12	18	8	14	22						
Vektor-H-30																		
Vektor-H-36													6	12	18	7	11	8

Curb Fasteners

Curb to be Greenheck model GPFHD.

