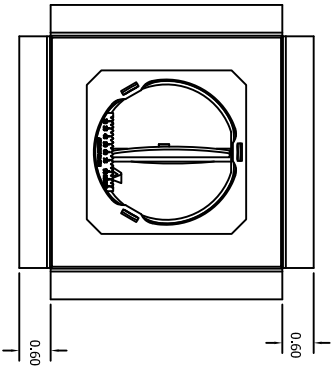


4" INCH MODEL WITH 6" X 6" GRILL MOUNT
SHOWN ON INTAKE SIDE OF DAMPER



VALVE DIAMETER	DIM B"
4"	3.44
5"	3.72
6"	5.22

