

Application

Model KFD-150 is a static rated fire damper used in kitchen ventilation system. This model has a fire resistance rating less than 3 hours. This model carries a 1½ hour UL fire damper label. UL555 classifies static rated fire dampers for use in HVAC systems that are automatically shut down in the event of fire.

Ratings

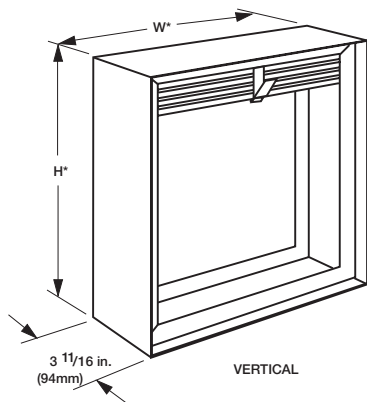
UL 555 Fire Resistance Rating

Fire Rating: 1½ hours

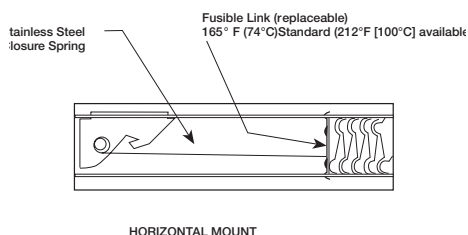
Construction

	Standard	Optional
Frame Material	Galvanized steel*	-
Frame Depth	3 11/16 in. (94 mm)	-
Blade Material	Galvanized steel*	-
Closure Spring	Stainless steel	-
Closure Device	Fusible link	-
Closure Temperature	165°F (74°C)	212°F (100°C)
Mounting	Horizontal	-

* in gauges required by UL listing R13317



* These dimensions are furnished approximately ¼ in. (6mm) undersize.



See complete marking on product.

UL 555 Classification R13317

Model KFD-150 meets the requirements for fire damper established by:

National Fire Protection Association

NFPA Standards 80, 90A, & 101

IBC International Building Codes

CSFM California State Fire Marshal

Fire Damper Listing (#3225-0981:0102)

Size Limitations

W x H	Minimum Size	Maximum Size
Inches	4 x 4	48 x 48
mm	102 x 102	1219 x 1219

Options

- Clean wrap

[Installation Instructions](#)



[Warranty](#)

