

Application

Model KFD-350 is a static rated fire damper used in kitchen ventilation system. This model has a fire resistance rating of 3 hours or more and carries a 3 hour UL fire damper label.

UL 555

Ratings

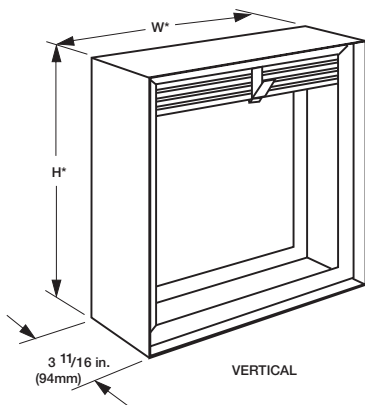
UL 555 Fire Resistance Rating

Fire Rating: 3 hours

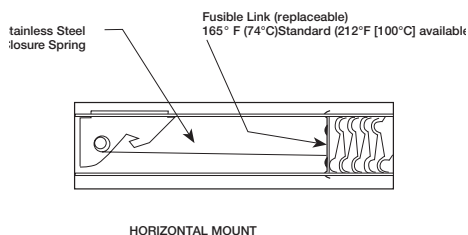
Construction

	Standard	Optional
Frame Material	Galvanized steel*	-
Frame Depth	3 11/16 in. (94 mm)	-
Blade Material	Galvanized steel*	-
Closure Spring	Stainless steel	-
Closure Device	Fusible link	-
Closure Temperature	165°F (74°C)	212°F (100°C)
Mounting	Horizontal	-

* in gauges required by UL listing R13317



* These dimensions are furnished approximately 1/4 in. (6mm) undersize.



See complete marking on product.
 UL 555 Classification R13317

Model KFD-350 meets the requirements for fire damper established by:

National Fire Protection Association

NFPA Standards 80, 90A, & 101

IBC International Building Codes

CSFM California State Fire Marshal

Fire Damper Listing (#3225-0981:0102)

Size Limitations

W x H	Minimum Size	Maximum Size
Inches	4 x 4	40 x 40
mm	102 x 102	1016 x 1016

Options

- Clean wrap

[Installation Instructions](#)



[Warranty](#)

