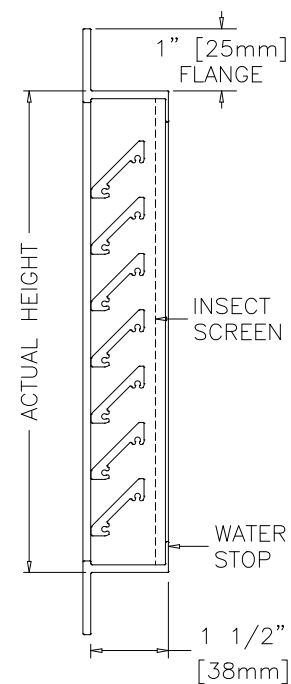


Standard Construction

Frame	Heavy gauge extruded 6063-T5 aluminum, 1.5 in. (38 mm) x 0.125 in. (3 mm) nominal wall thickness
Blades	Heavy gauge extruded 6063-T5 aluminum, 0.125 in. (3 mm) nominal wall thickness, positioned 45°
Louver Depth	1.5 in. (38 mm)
Construction	Mechanically fastened
Finish	204-R1 Clear Anodized
Available Size	8 1/8 in. W x 2 3/8 in. H (206 mm W x 60 mm H) 8 1/8 in. W x 4 3/4 in. H (206 mm W x 121 mm H) 8 1/8 in. W x 7 3/4 in. H (206 mm W x 197 mm H) 12 in. W x 2 3/8 in. H (305 mm W x 60 mm H) 12 in. W x 4 3/4 in. H (305 mm W x 121 mm H) 12 in. W x 7 3/4 in. H (305 mm W x 197 mm H) 12 in. W x 11 3/4 in. H (305 mm W x 298 mm H) 15 5/8 in. W x 7 3/4 in. H (397 mm W x 197 mm H) 15 5/8 in. W x 15 3/4 in. H (397 mm W x 400 mm H) 16 1/2 in. W x 2 3/8 in. H (419 mm W x 60 mm H) 16 1/2 in. W x 4 3/4 in. H (419 mm W x 121 mm H) 16 1/2 in. W x 7 3/4 in. H (419 mm W x 197 mm H) 16 1/2 in. W x 15 3/4 in. H (419 mm W x 400 mm H) 24 in. W x 2 3/8 in. H (610 mm W x 60 mm H) 24 in. W x 4 3/4 in. H (610 mm W x 121 mm H) 24 in. W x 7 3/4 in. H (610 mm W x 197 mm H) 32 in. W x 7 3/4 in. H (813 mm W x 197 mm H) 48 in. W x 7 3/4 in. H (1219 mm W x 197 mm H)



Options and Accessories

- Single Blade Flat Damper
- Straight Duct
(0.063 in. (2 mm) aluminum for up to 18 in. (457 mm) wall thickness)
- [Variety of Architectural Finishes](#)

Document Links

[Louver Finishes & Colors](#)

[Louver Product Selection Guide](#)

[Louver Products Catalog](#)

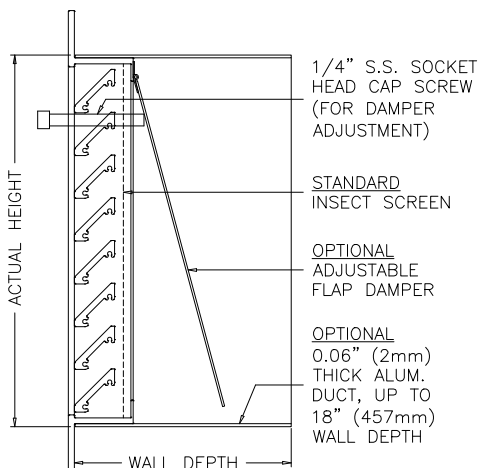
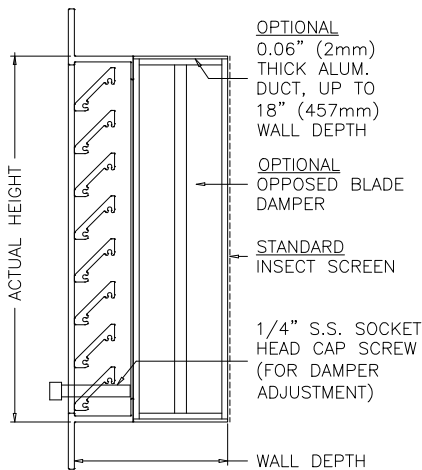
[Louver Warranty Statement](#)

Free Area Chart

Free Area Chart shows free area in square feet and square meters.

Louver Height Inches (Meters)	Louver Width in Inches (Meters)						
	8	12	15.63	16.5	24	32	48
2.38 0.06	0.029 0.003	0.044 0.004	na na	0.060 0.006	0.088 0.008	na na	na na
4.75 0.12	0.080 0.007	0.120 0.011	na na	0.196 0.018	0.271 0.025	na na	na na
7.75 0.20	0.136 0.013	0.204 0.019	0.263 0.024	0.280 0.026	0.408 0.038	0.543 0.050	0.678 0.063
11.75 0.30	na na	0.310 0.029	na na	na na	na na	na na	na na
15.75 0.40	na na	na na	0.540 0.050	0.575 0.053	na na	na na	na na

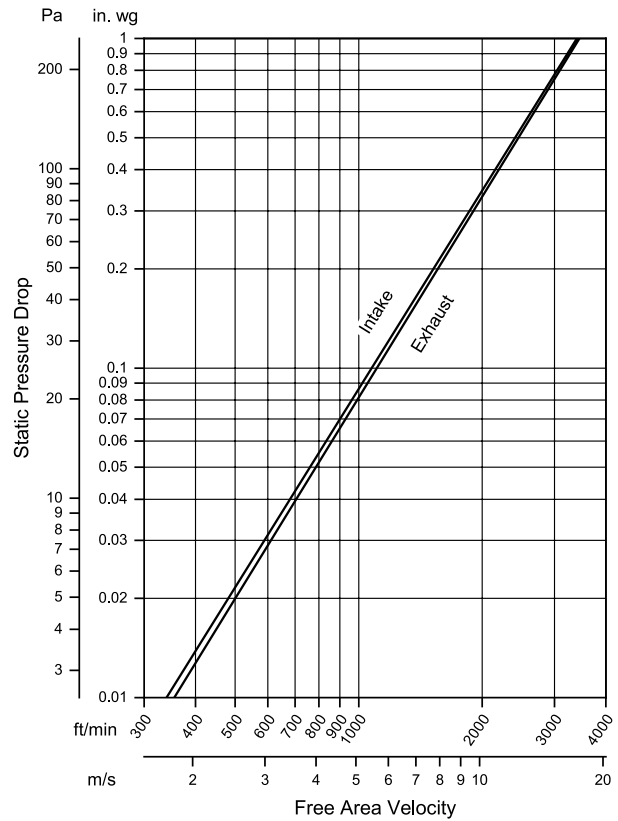
Option Drawing



Airflow Resistance

Standard Air - 0.075 lb/ft³ (1.2 kg/m³)

Test size 48 in. x 48 in. (1219 mm x 1219 mm)



Model BVF resistance to airflow (pressure drop) varies depending on louver application (air intake or air exhaust). Free area velocities (shown) are higher than average velocity through the overall louver size. See louver selection information. (Test Figure 5.5-6.5)