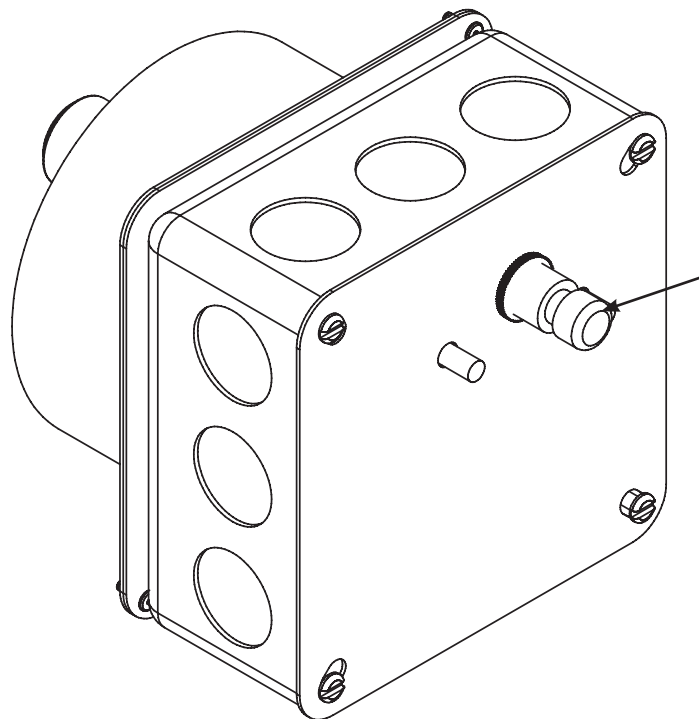
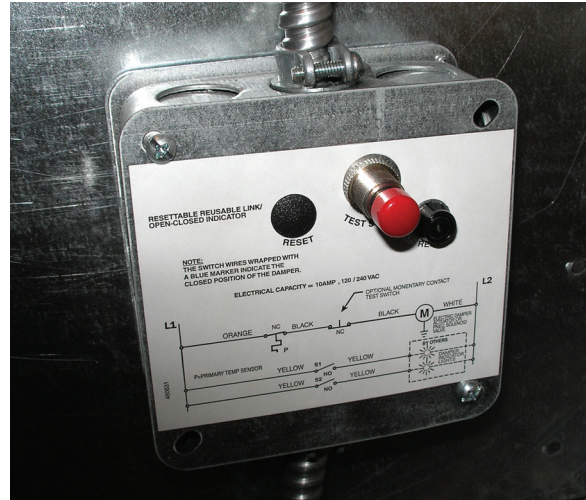


Application

Momentary test switches are available as an option to the FSD, SSFSD, OFSD, SMD, and SSSMD units. Our momentary test switch enables easy maintenance and inspection of our dampers by allowing the dampers to be tested and cycled by one person right at the damper location by simply holding the test switch down. This eliminated the need for the help of another person in the control room. One test switch is required per closure device.

Momentary Test Switch	Part #823338
-----------------------	--------------



Momentary Test Switch