

Hinge updates on models G/GB and CUE/CUBE

What's new in CAPS® 4.35

The hinge options for fan sizes 60-200 will be streamlined in the CAPS 4.35 (April 2021) release to give customers a more robust solution as well as making them easier to select and order.

New Standard Hinge Design

The full-length galvanized steel (formerly known as the “bracket”) hinge will be the only construction option going forward. This design provides superior strength which eliminates curb cap buckling along with lock-open and lock-close features when compared with the previous kit with cables design.

Factory Options

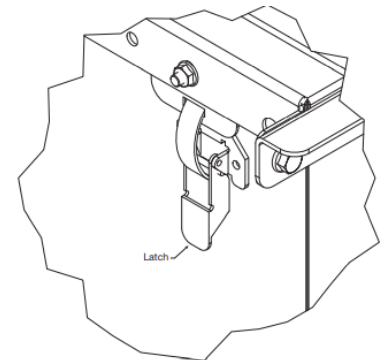
There will be two options for ordering the hinge:

- Factory installed
- Shipped loose

The factory installed version will have the top bracket of the hinge pre-installed onto the fan curb cap. (shown at right) The lower hinge will be temporarily fastened to the upper hinge for security during transport and jobsite handling. At the time of field installation, the hinge pivot bolt/nut is installed, and the lower hinge is fastened to the curb. All needed fasteners are provided.



The latch kit will remain available as an option for tool-free hold closed of the fan.



Options Removed

In the CAPS 4.35 release, the following hinge options will no longer be available to select or order on sizes 60-200:

- Hinged Base
- Kit with Cables