

Installation, Operation and Maintenance Manual

Please read and save these instructions for future reference. Read carefully before attempting to assemble, install, operate or maintain the product described. Protect yourself and others by observing all safety information. Failure to comply with these instructions will result in voiding of the product warranty and may result in personal injury and/or property damage.

Table of Contents

Windband to Nozzle Document 1016006	2
Dilution Nozzle to Fan Document 1016008	3
Inline Silencer Document 1016009	4

Assembly Instructions

READ THROUGH THESE INSTRUCTIONS PRIOR TO STARTING ASSEMBLY.

Document Instructions

Use Document #1016006 with fastener kits 879425 and 879426. These kits are to be used with the Vektor-MD model. The fasteners contained within the kit are to be used to attach the windband to the Vektor-MD nozzle. Use the images located within this document to locate the position of the fasteners on the unit.

Note:

Vektor-MD – Sizes 36 and smaller, nozzle is attached to the fan housing.

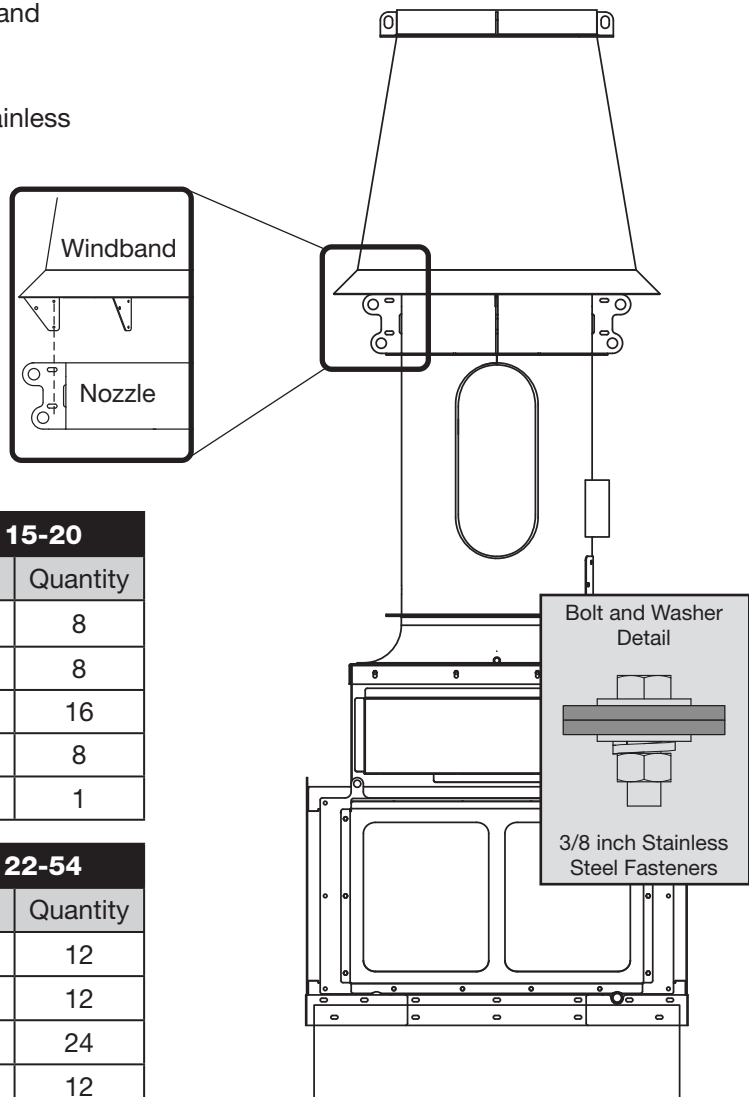
Vektor-MD – Sizes 40 and greater, windband and nozzle ships as individual pieces.

Assembly Instructions

1. See Greenheck Document #464652 (Installation, Operation and Maintenance Manual: Vektor-MD, Vektor-MH and Vektor-MS) for full installation instructions.
2. See image to the right to locate bolt holes. Attach windband using the provided moly-coated 316 stainless steel bolts through the bolt holes.

Tools Required

- Cordless drill (electric or pneumatic)
- 9/16 inch nut setter
- 9/16 inch wrench



FASTENER KIT 879425 – VEKTOR-MD SIZE 15-20		
Part Description	Part #	Quantity
CS,HH,.375-16X1.5,SS,316,MOLY	415781	8
NUT,HEX,.375-16,SS,316	415799	8
WSHR,FLAT,.313X.05X.406X.875,SS,316	415800	16
WSHR,LOCK,SPLIT,.375,SS,316	415810	8
Assembly Instructions	1016006	1

FASTENER KIT 879426 – VEKTOR-MD SIZE 22-54		
Part Description	Part #	Quantity
CS,HH,.375-16X1.5,SS,316,MOLY	415781	12
NUT,HEX,.375-16,SS,316	415799	12
WSHR,FLAT,.313X.05X.406X.875,SS,316	415800	24
WSHR,LOCK,SPLIT,.375,SS,316	415810	12
Assembly Instructions	1016006	1

Assembly Instructions

READ THROUGH THESE INSTRUCTIONS PRIOR TO STARTING ASSEMBLY.

Document Instructions

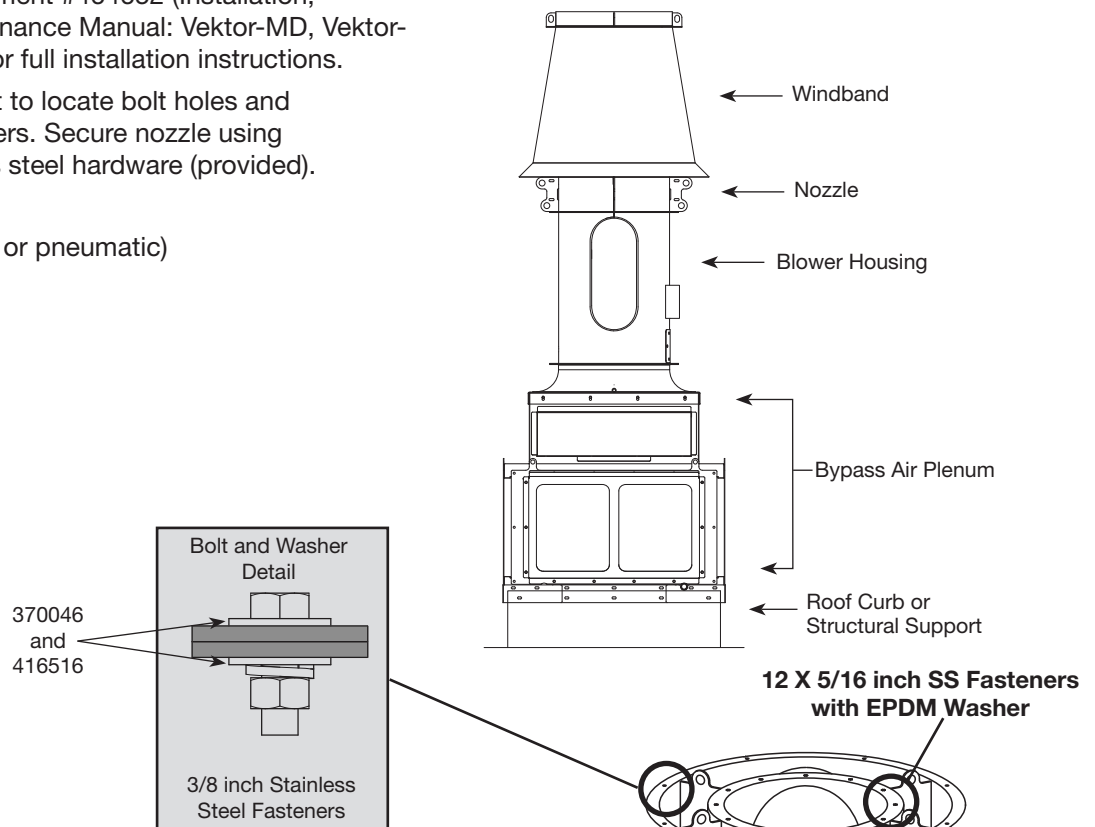
Use Document #1016008 with fastener kit 879429. This kit is to be used with the Vektor-MD model. The fasteners contained within the kit are to be used to attach the Vektor-MD dilution style nozzle to the fan body. Use the images located within this document to locate the position of the fasteners on the unit.

Assembly Instructions

1. See Greenheck Document #464652 (Installation, Operation and Maintenance Manual: Vektor-MD, Vektor-MH and Vektor-MS) for full installation instructions.
2. See image to the right to locate bolt holes and corresponding fasteners. Secure nozzle using moly-coated stainless steel hardware (provided).

Tools Required

- Cordless drill (electric or pneumatic)
- 9/16 inch nut setter
- 9/16 inch wrench
- 1/2 inch nut setter



FASTENER KIT 879429 – VEKTOR-MD SIZE 36-54

Part Description	Part #	Quantity
CS,HH,.375-16X1.5,SS,316,MOLY	415781	16
NUT,HEX,.375-16,SS,316	415799	16
WSHR,LOCK,SPLIT,.375,SS,316	415810	16
WSHR,FLAT,.0625X.375X1.25,NEOP	370046	32
WSHR,FLAT,.375X.079X.406X1.5,SS,18-8	416516	32
CS,HH,.313-18X1,SS,316,MOLY,W/EPDM WSHR	416511	12
Assembly Instructions	1016008	1

Assembly Instructions

READ THROUGH THESE INSTRUCTIONS PRIOR TO STARTING ASSEMBLY.

Document Instructions

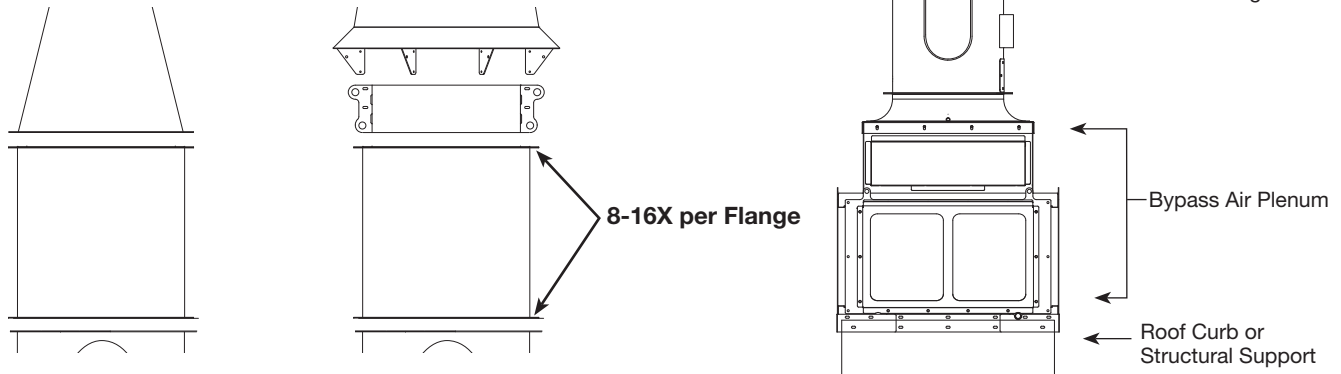
Use Document #1016009 with fastener kits 879430 and 879431. These kits are to be used with the Vektor-MD model. The fasteners contained within the kit are to be used to attach the silencer to the Vektor-MD dilution style nozzle, a silencer to the blower housing, or a silencer to a stack extension. Systems supplied with inline discharge silencers always have the nozzle section ship separate. The silencer is installed between the fan housing and nozzle. Use the images located within this document to locate the position of the fasteners on the unit.

Assembly Instructions

1. See Greenheck Document #464652 (Installation, Operation and Maintenance Manual: Vektor-MD, Vektor-MH and Vektor-MS) for full installation instructions.
2. The fastener kit includes fasteners for one flange. If the fan includes stack extensions, multiple fastener kits will be supplied for each flange.
3. See image below to locate bolt holes. Install moly-coated 316 stainless steel screws (provided).

Tools Required

- Cordless drill (electric or pneumatic)
- 1/2 inch nut setter



FASTENER KIT 879430 – VEKTOR-M SIZE 15-27

Part Description	Part #	Quantity
CS,HH,.313-18X1,SS,316,MOLY,W/EPDM WSHR	416511	8
Assembly Instructions	1016009	1

FASTENER KIT 879431 – VEKTOR-M SIZE 30-54

Part Description	Part #	Quantity
CS,HH,.313-18X1,SS,316,MOLY,W/EPDM WSHR	416511	16
Assembly Instructions	1016009	1